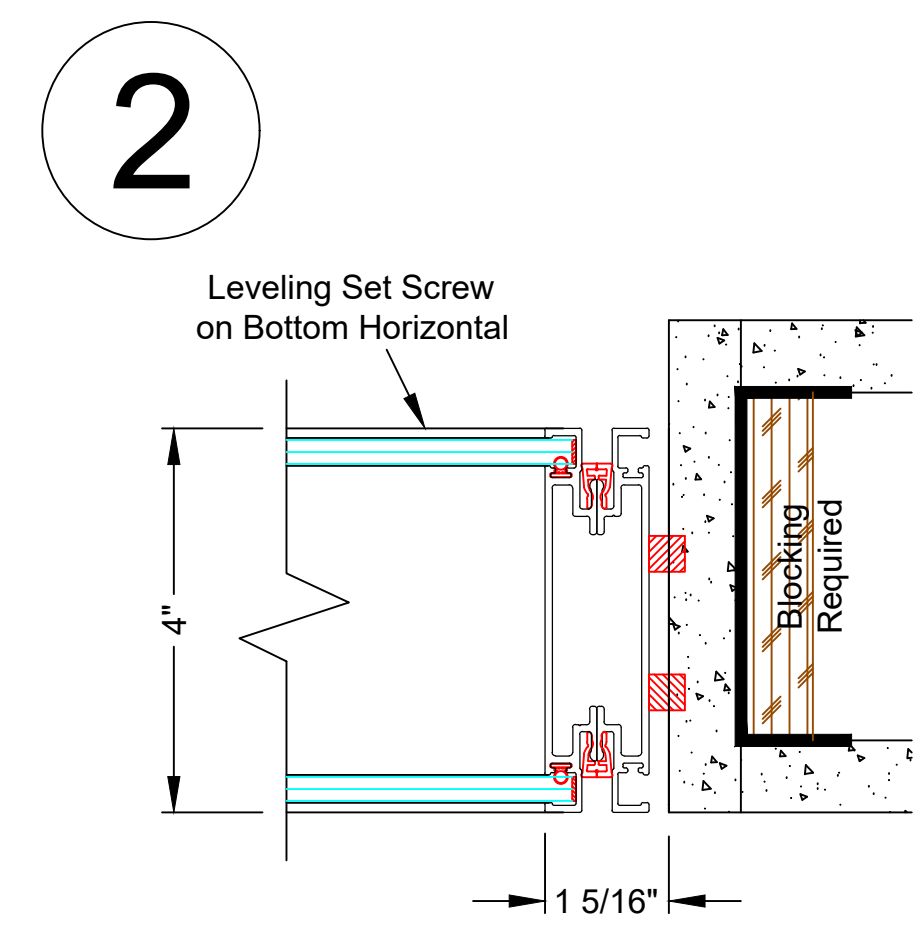
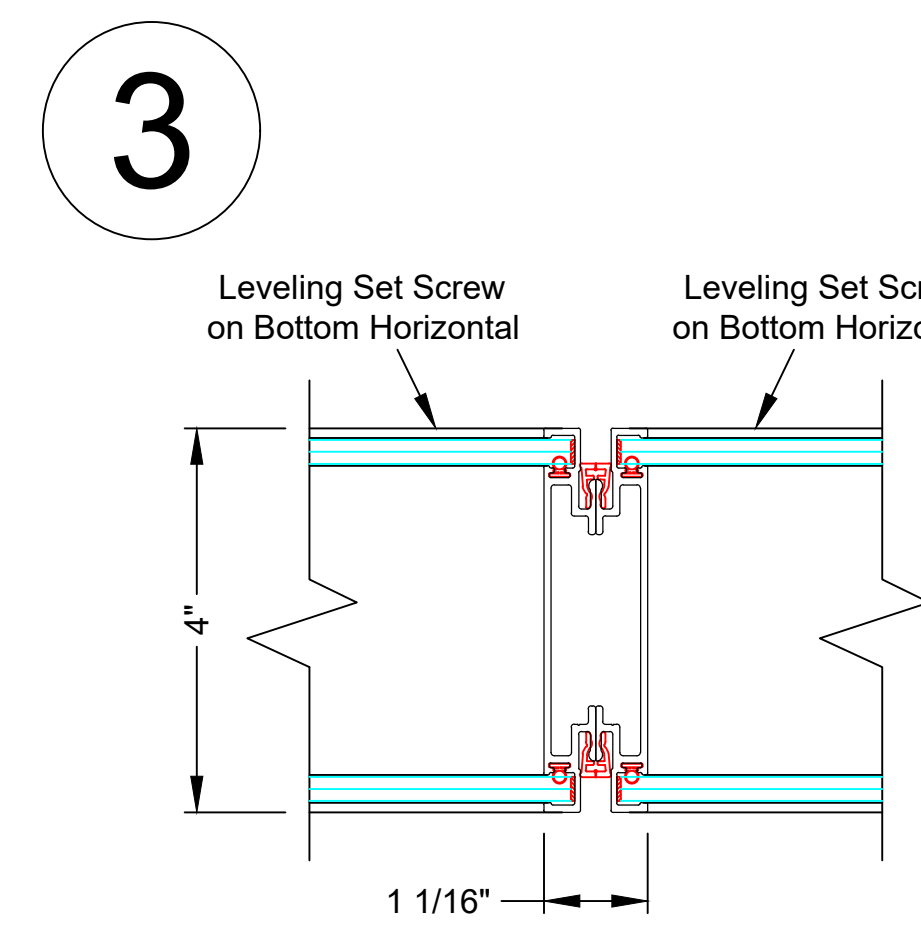


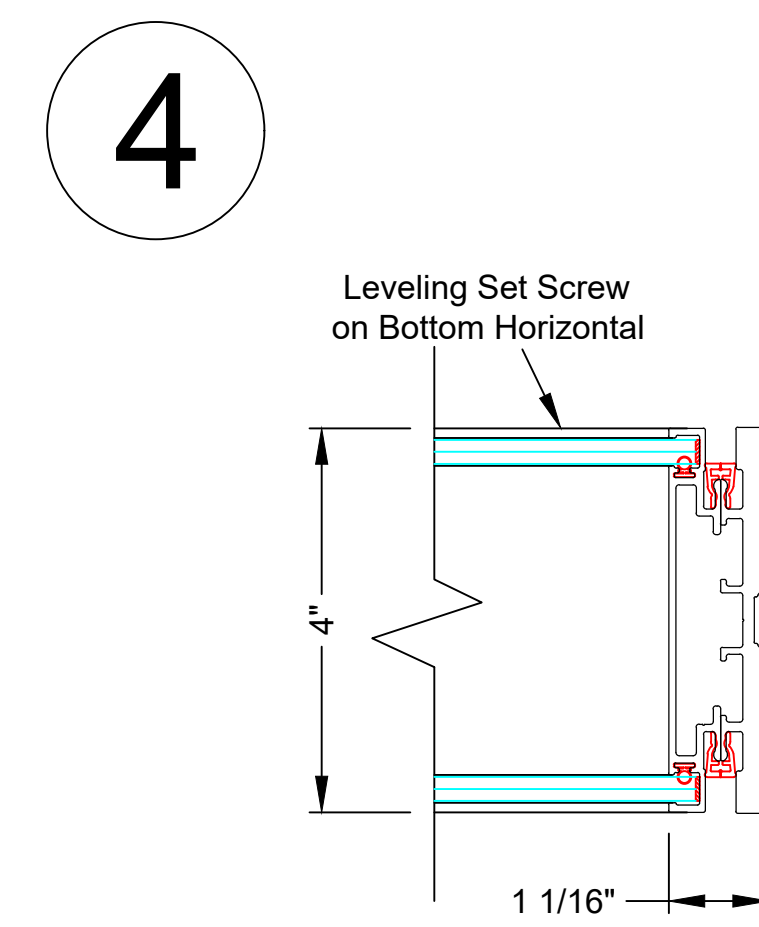
1 Recessed Wall Start



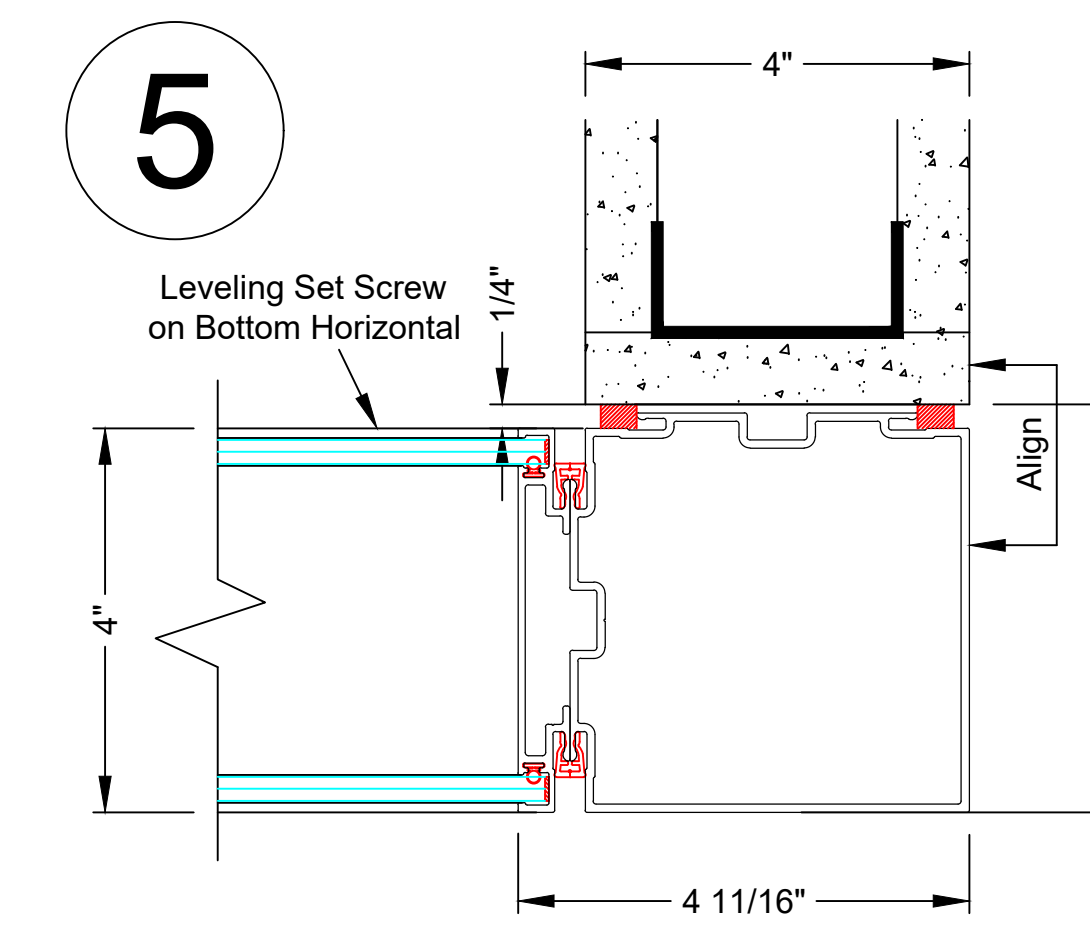
2 Flush Wall Start



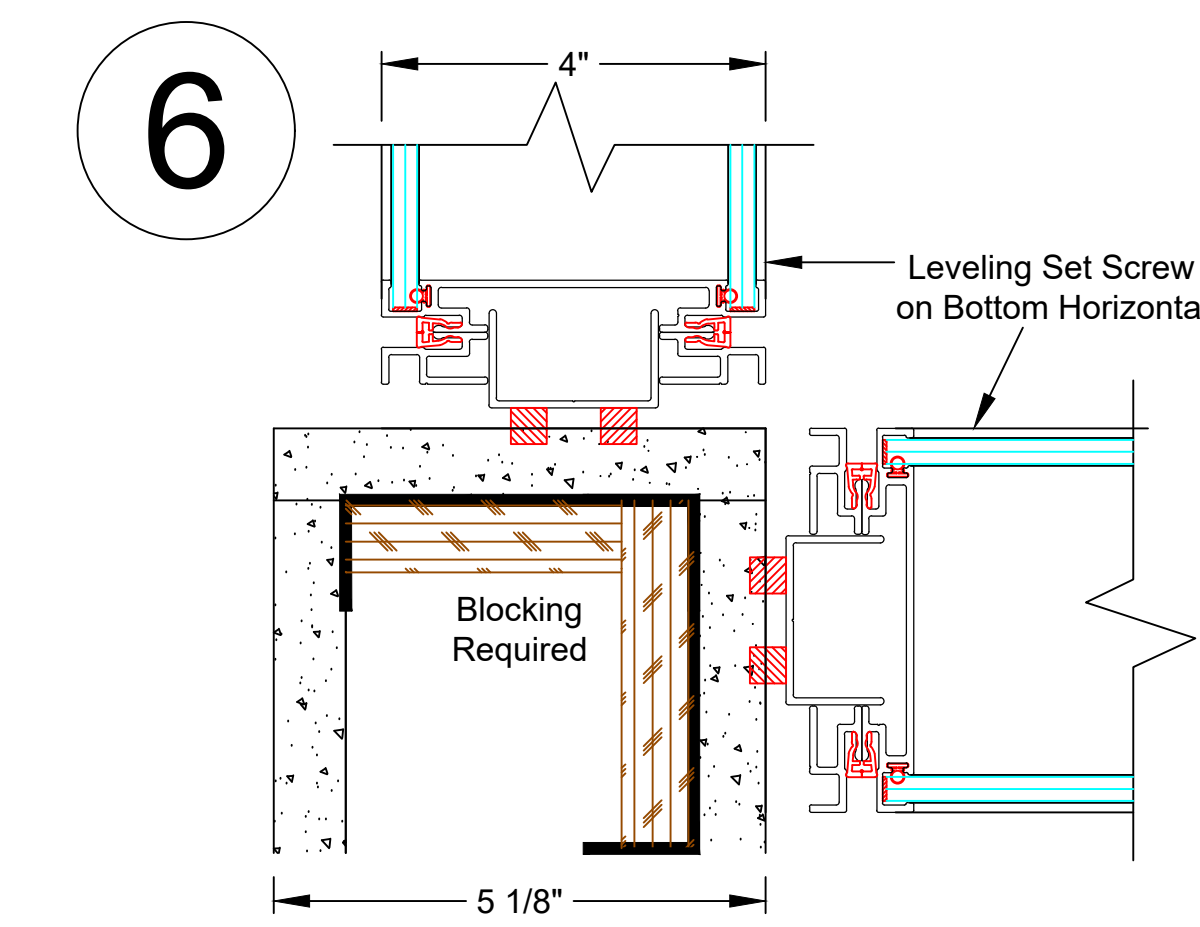
3 Panel Connection



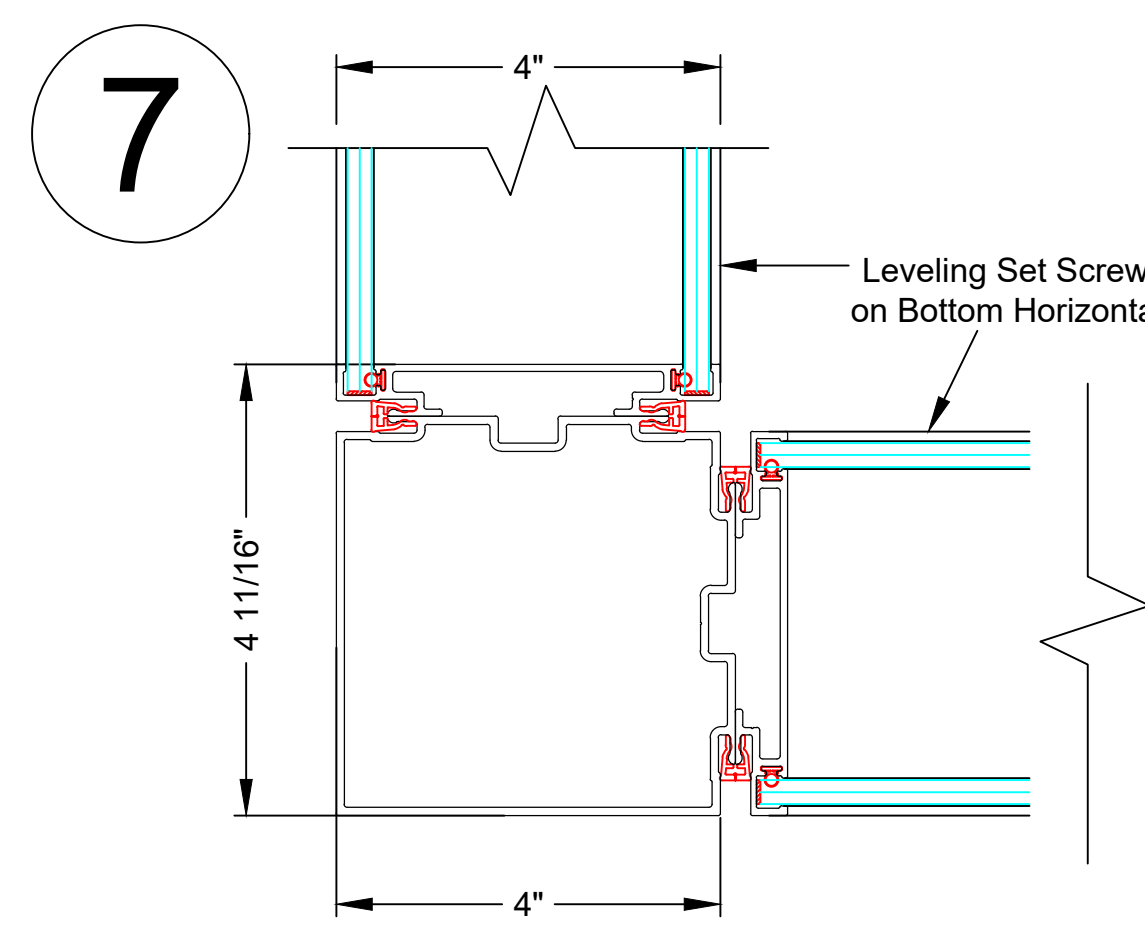
4 Finished End



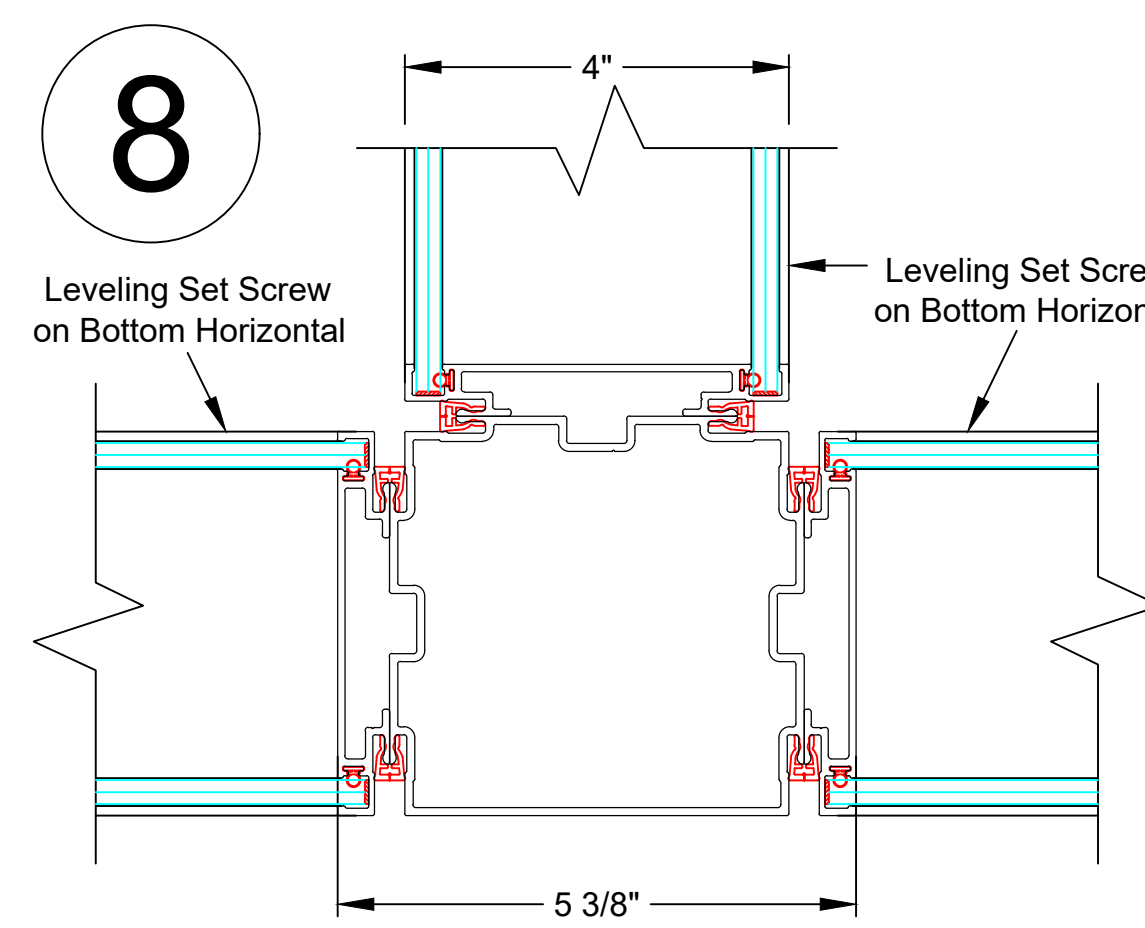
5 Finished End at Drywall Bypass



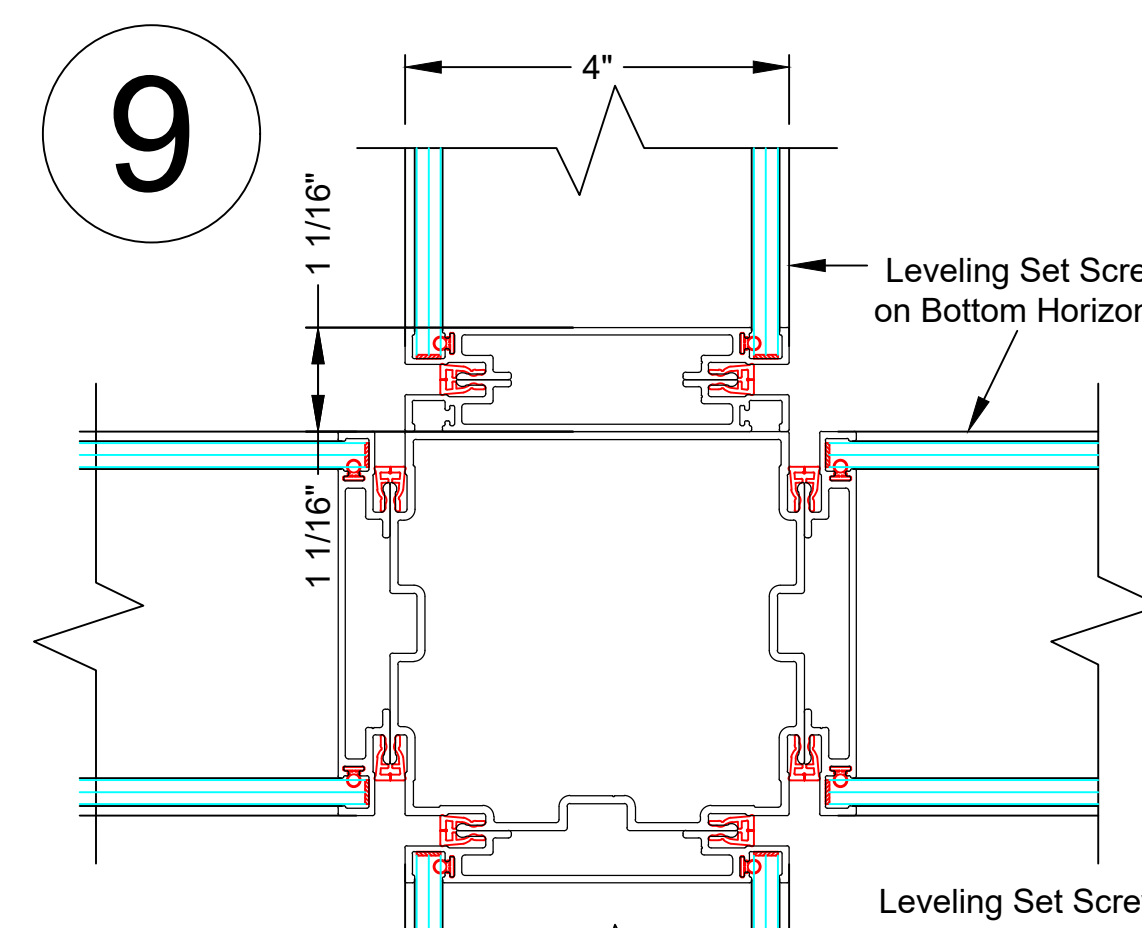
6 2-Way Connection at Drywall Corner



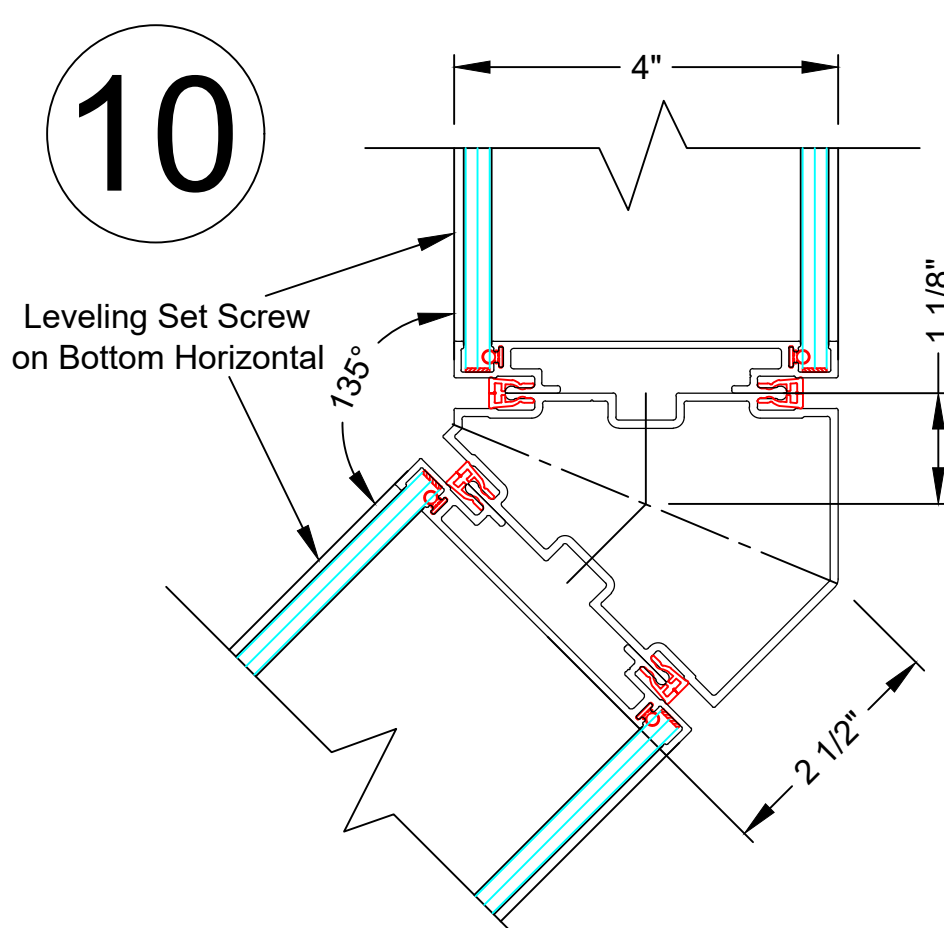
7 2-Way Post



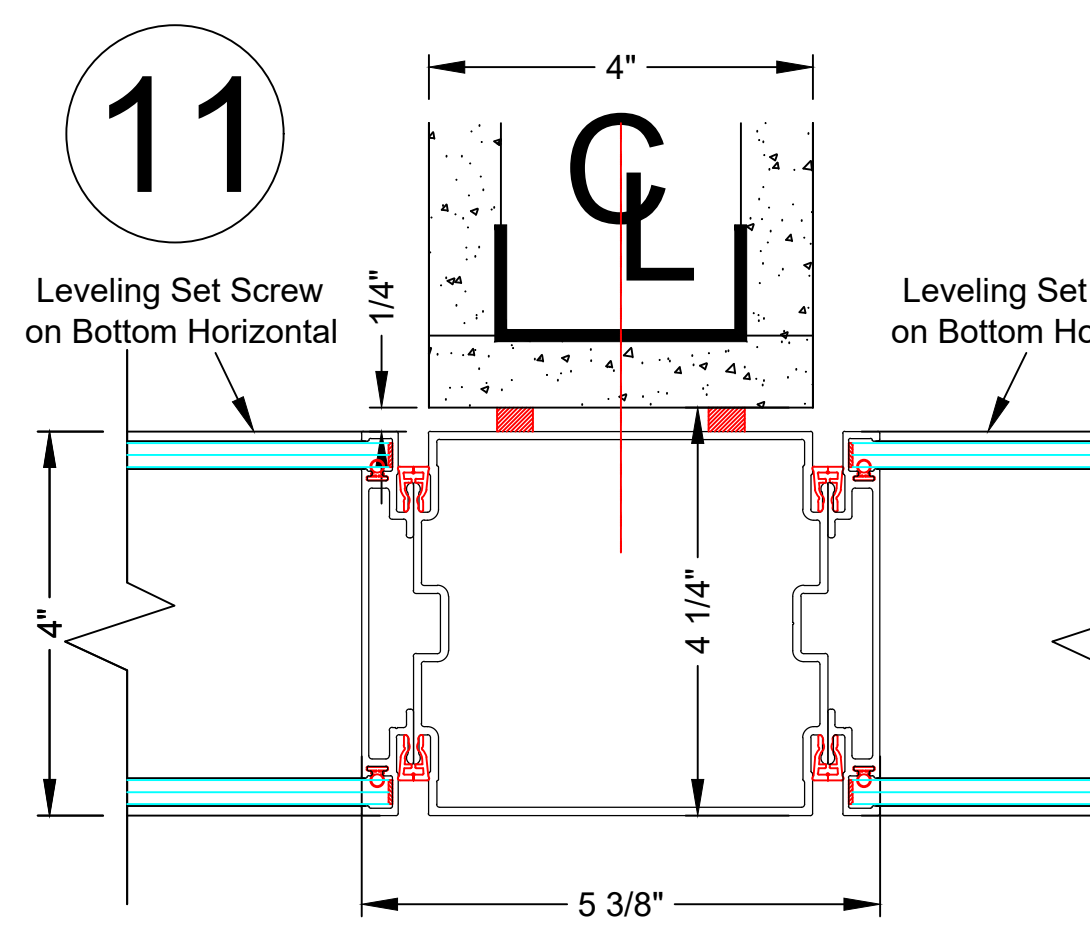
8 3-Way Post



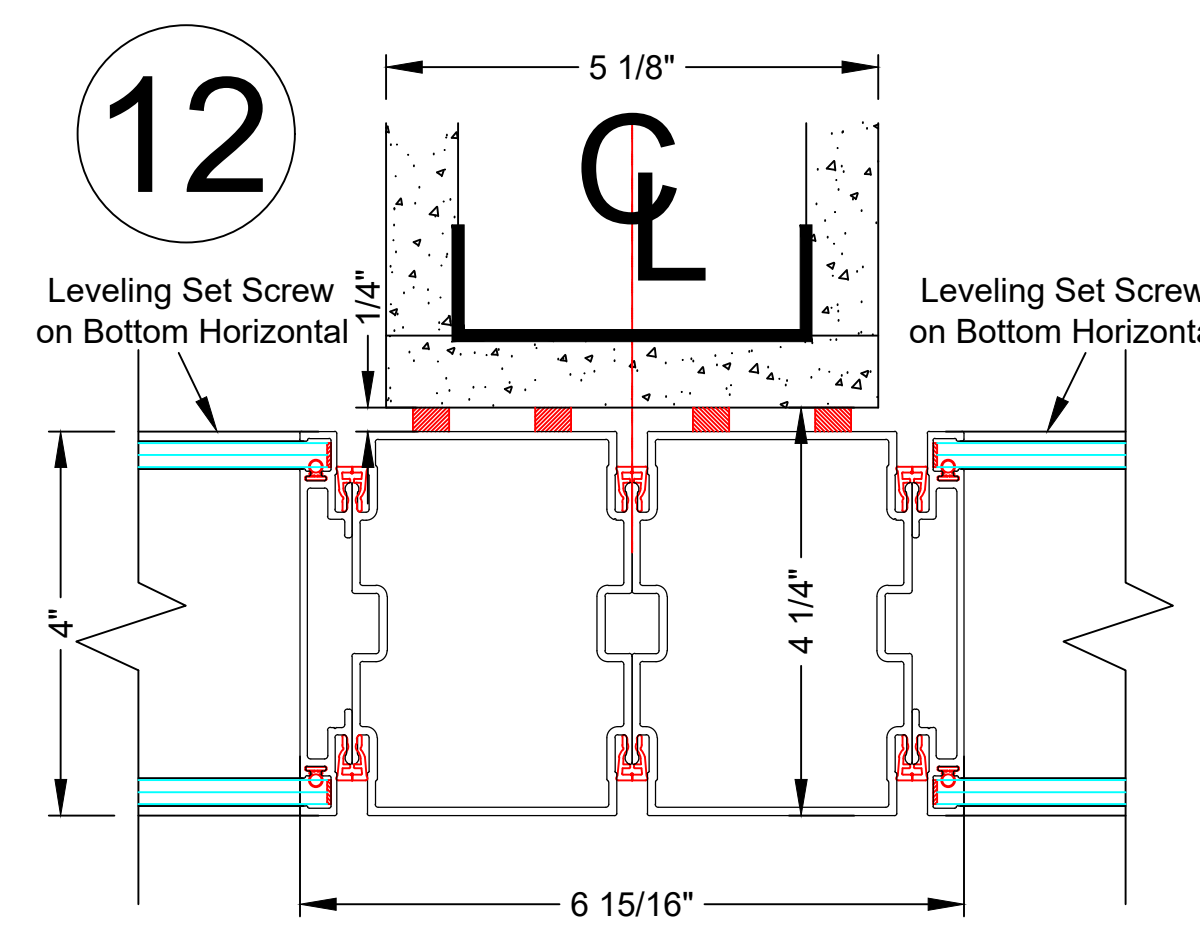
9 4-Way Connection



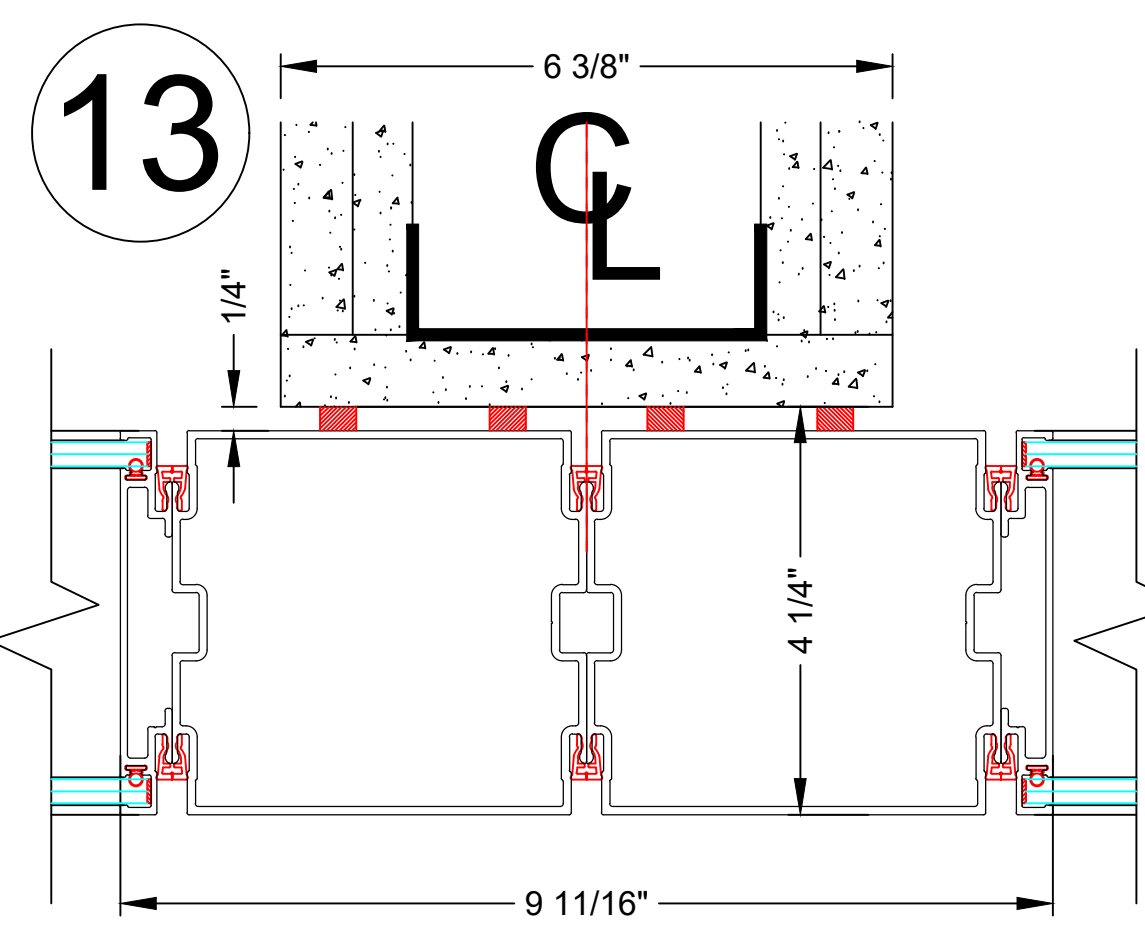
10 135 Degree Post



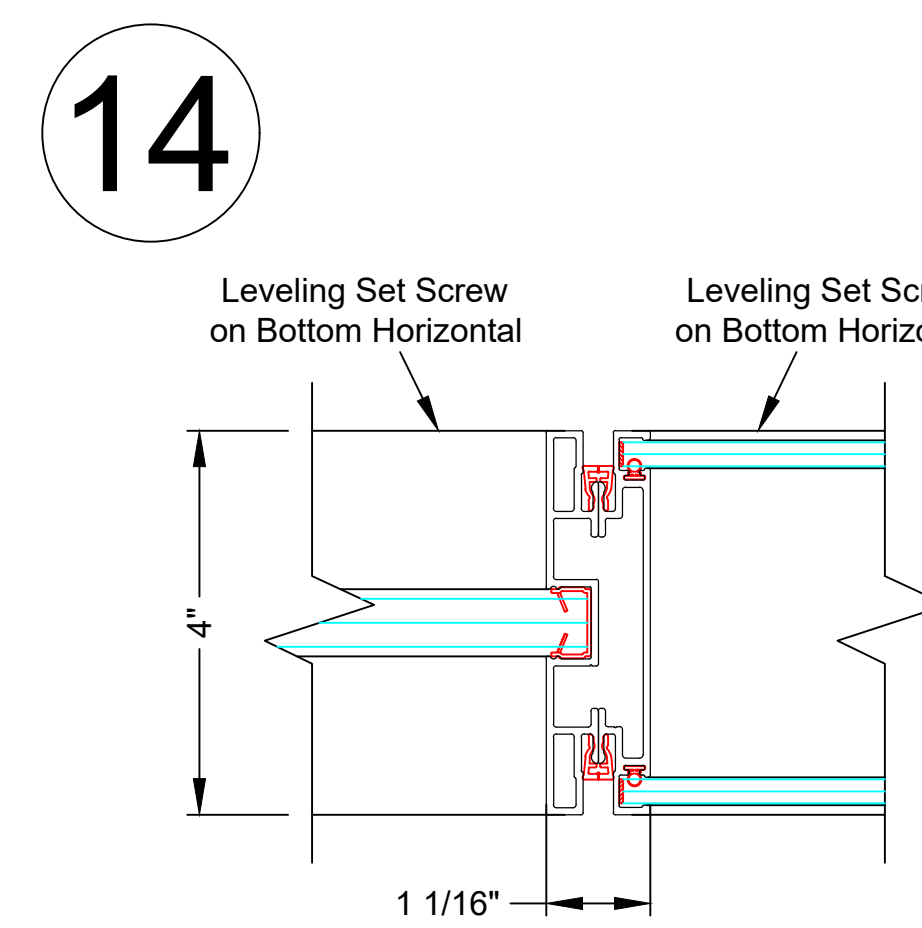
11 5" In-Line Post at 4" Drywall Bypass



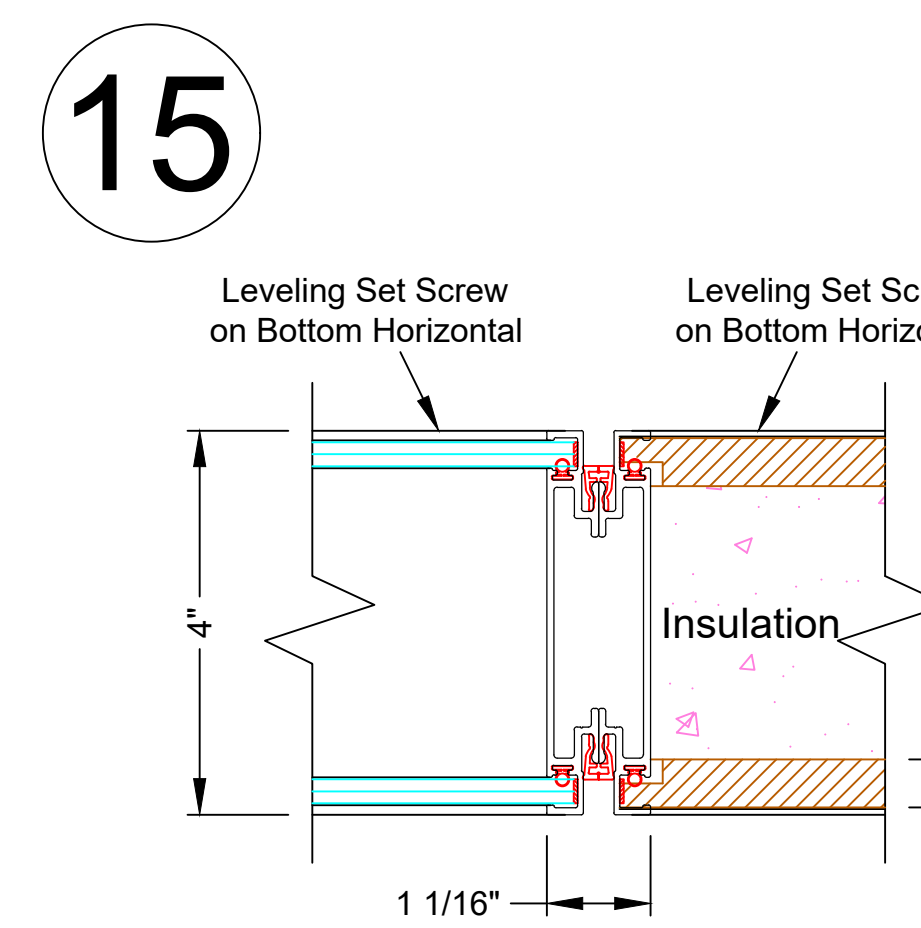
12 (2) 4" In-Line Posts at 5 1/8" Drywall Bypass



13 (2) 5" In-Line Posts at 6 3/8" Drywall Bypass

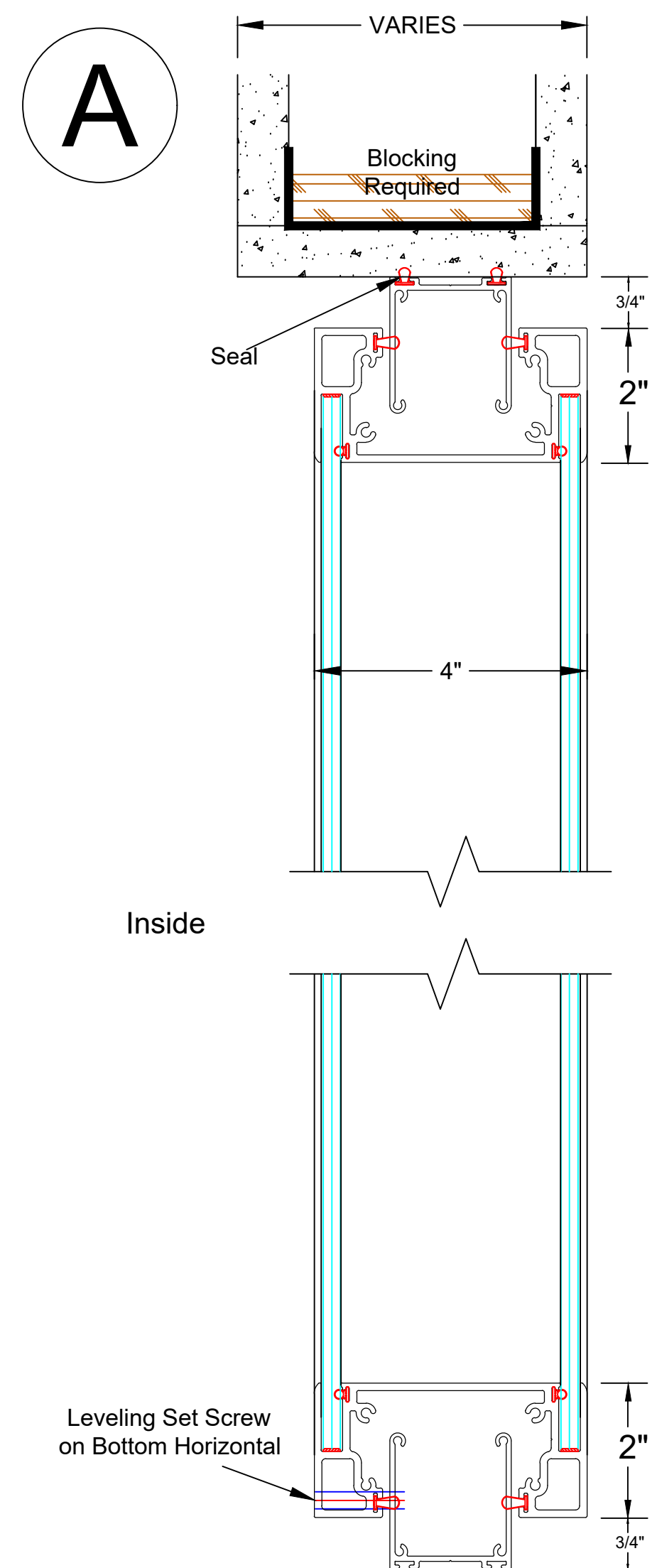


14 Single to Double Glazed Panel Connection

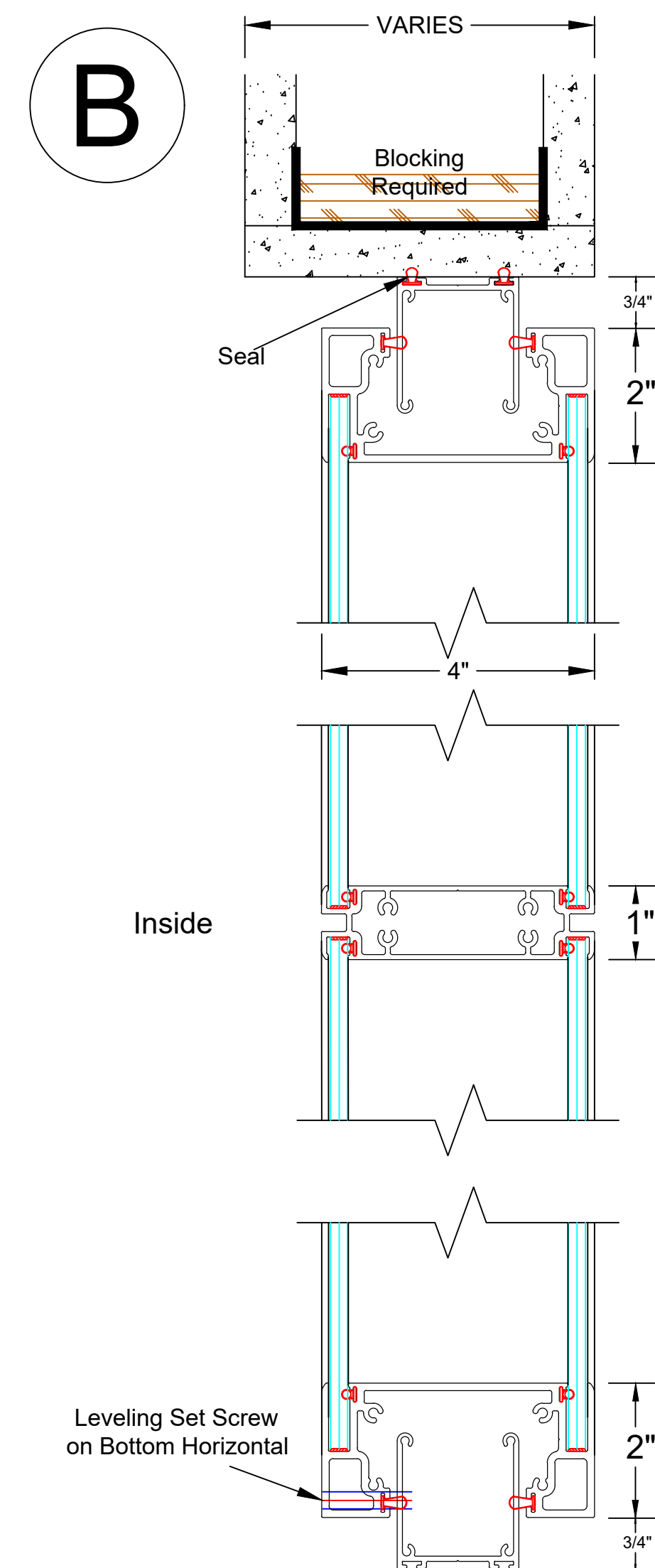


15 Double Glazed to Double Solid Panel Connection

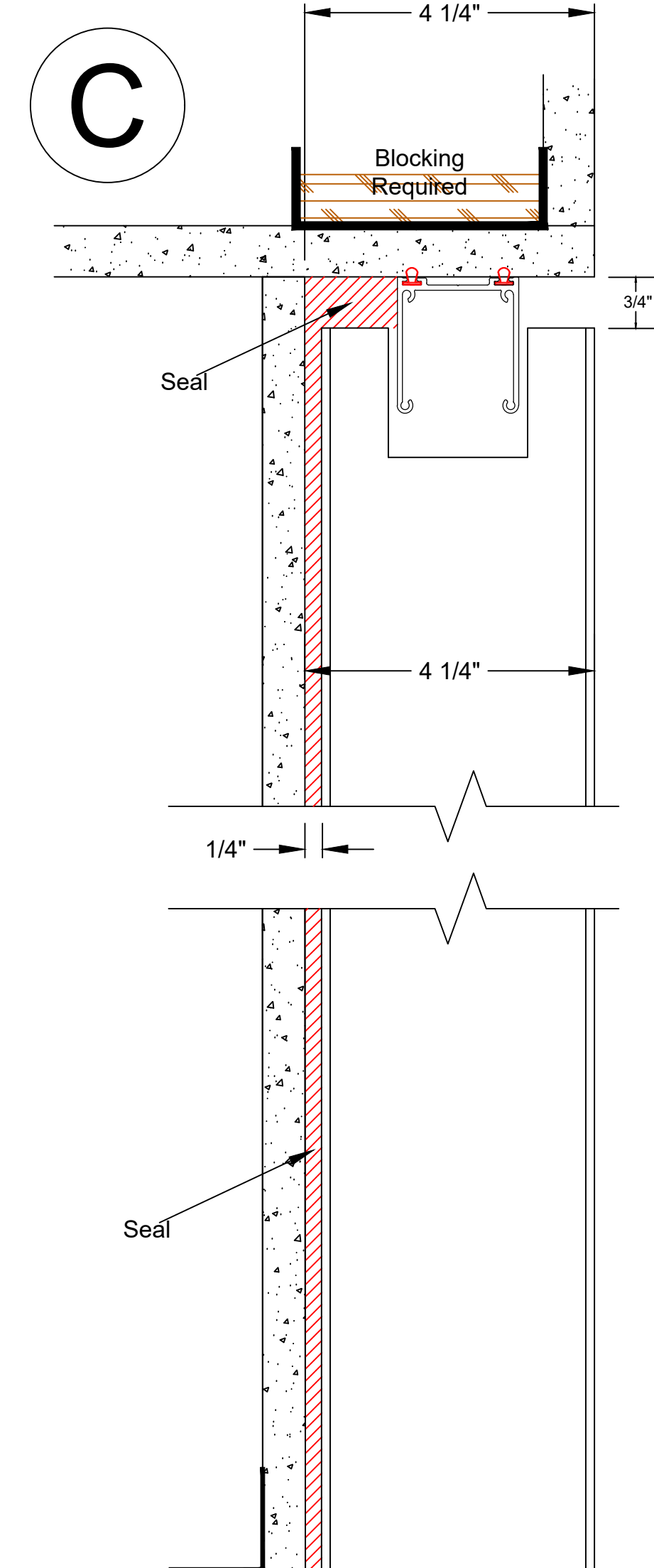
**Note :** System shown flush to corridor side of soffit and sheetrock wall. System can also be setback or centered if so desired. Blocking required either way.



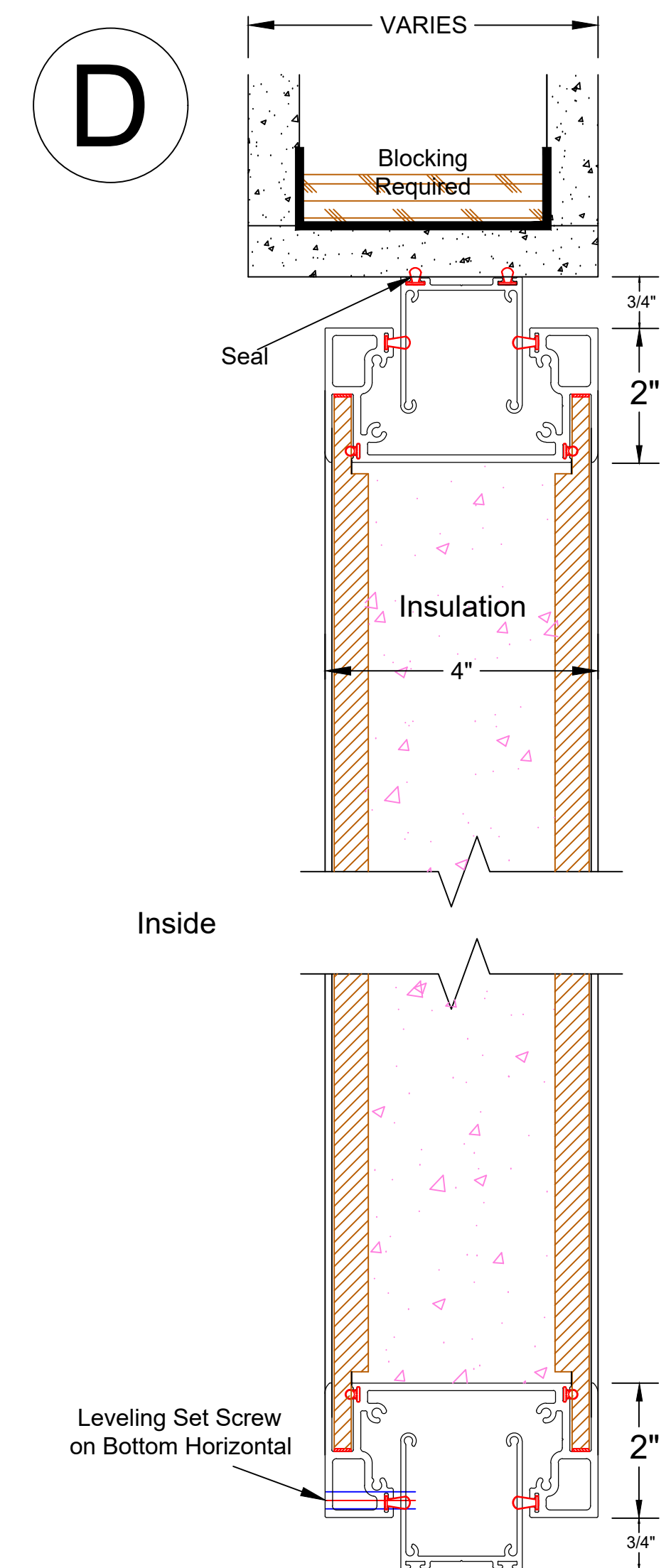
A Double Glazed Panel



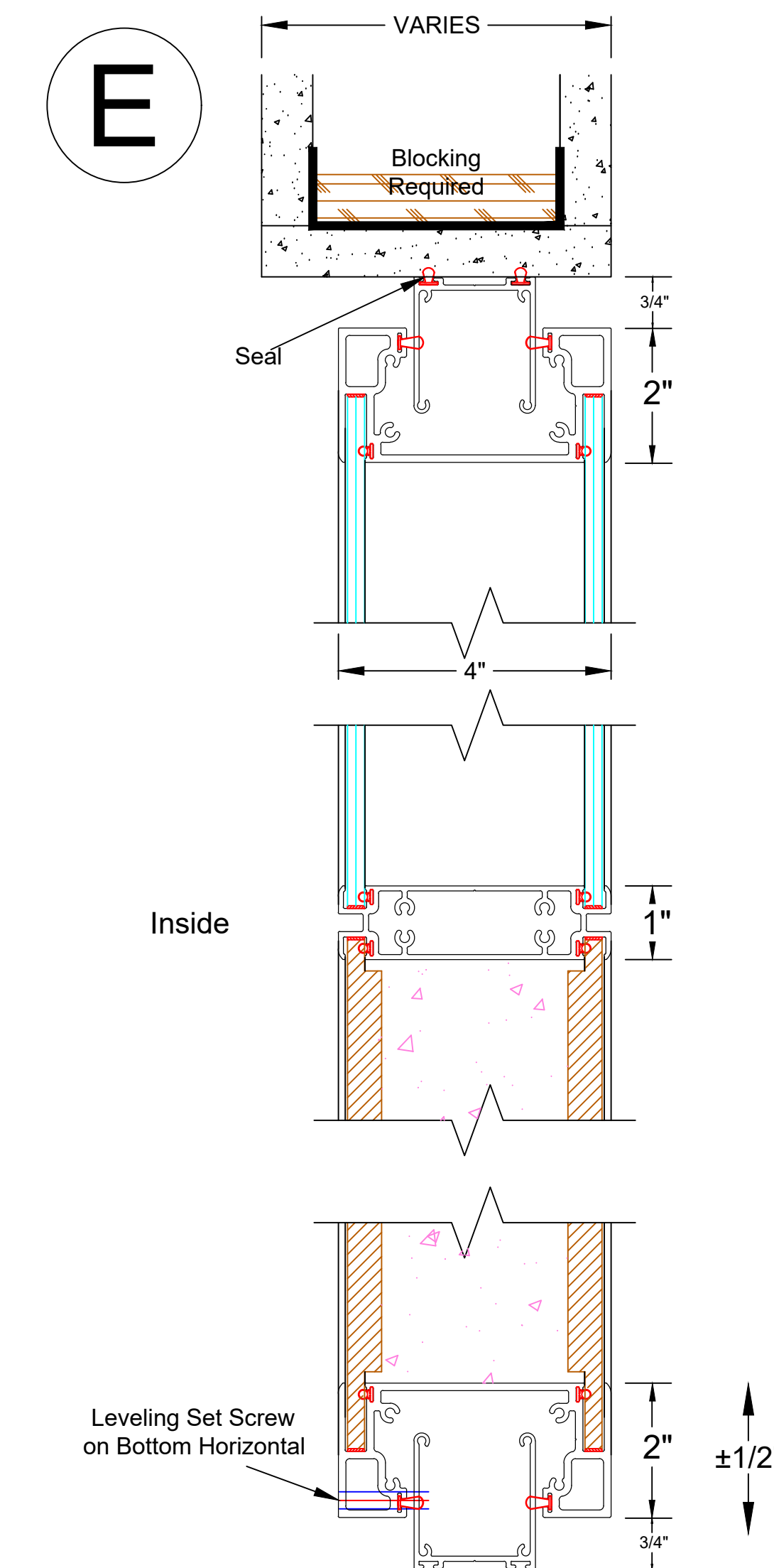
B Double Glazed Panel with Transom



C Post Condition @ Drywall Return



D Double Solid Panel



E Double Solid Panel with Glass Transom

This document is the property and copyright of InFinium Architectural Wall Systems, Inc. and shall not be reproduced without written consent of InFinium Architectural Wall Systems, Inc. This drawing is to be used for evaluation, bidding or construction. It is not to be used for any other building construction.

8	
7	
6	
5	
4	
3	
2	
1	

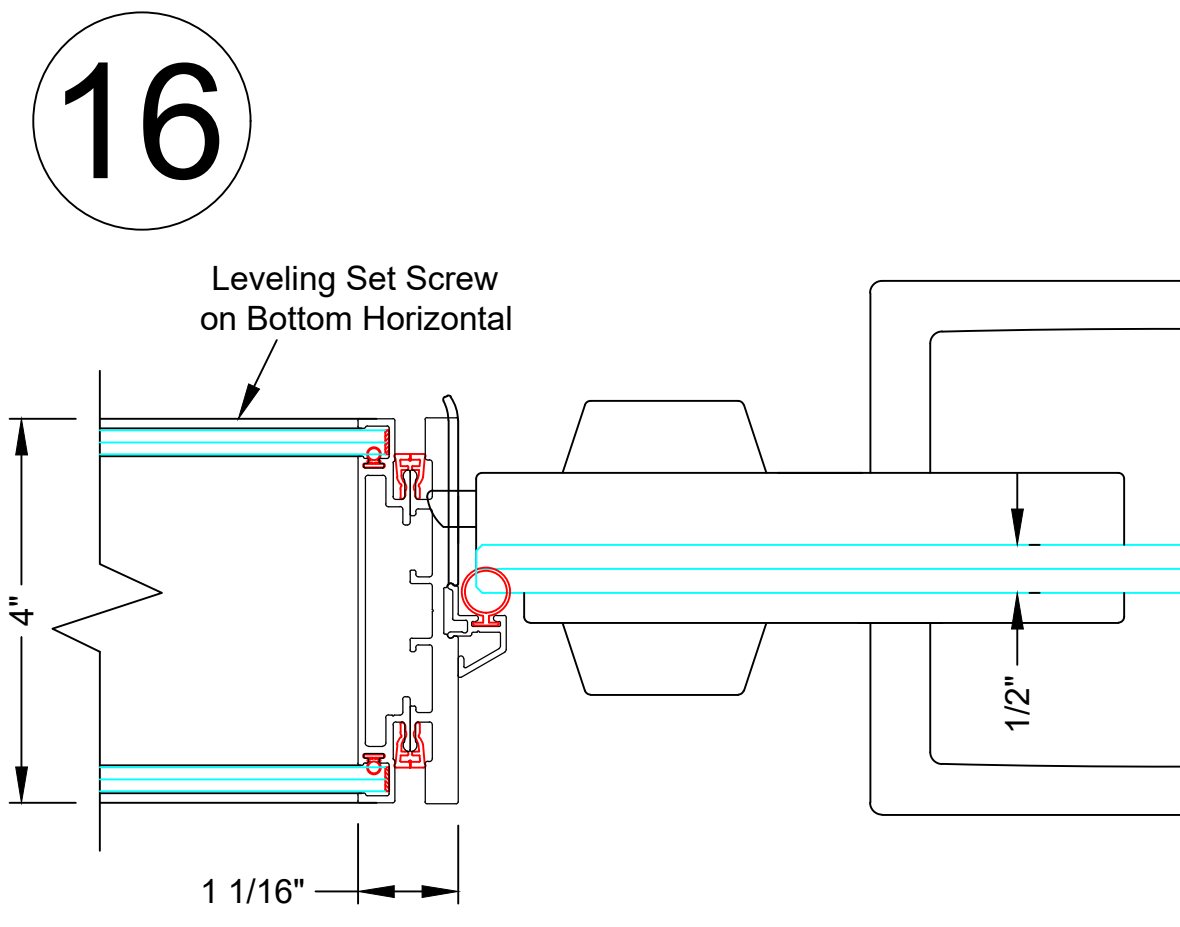
NO. DATE ISSUE/REVISION  
CURRENT REVISION

0

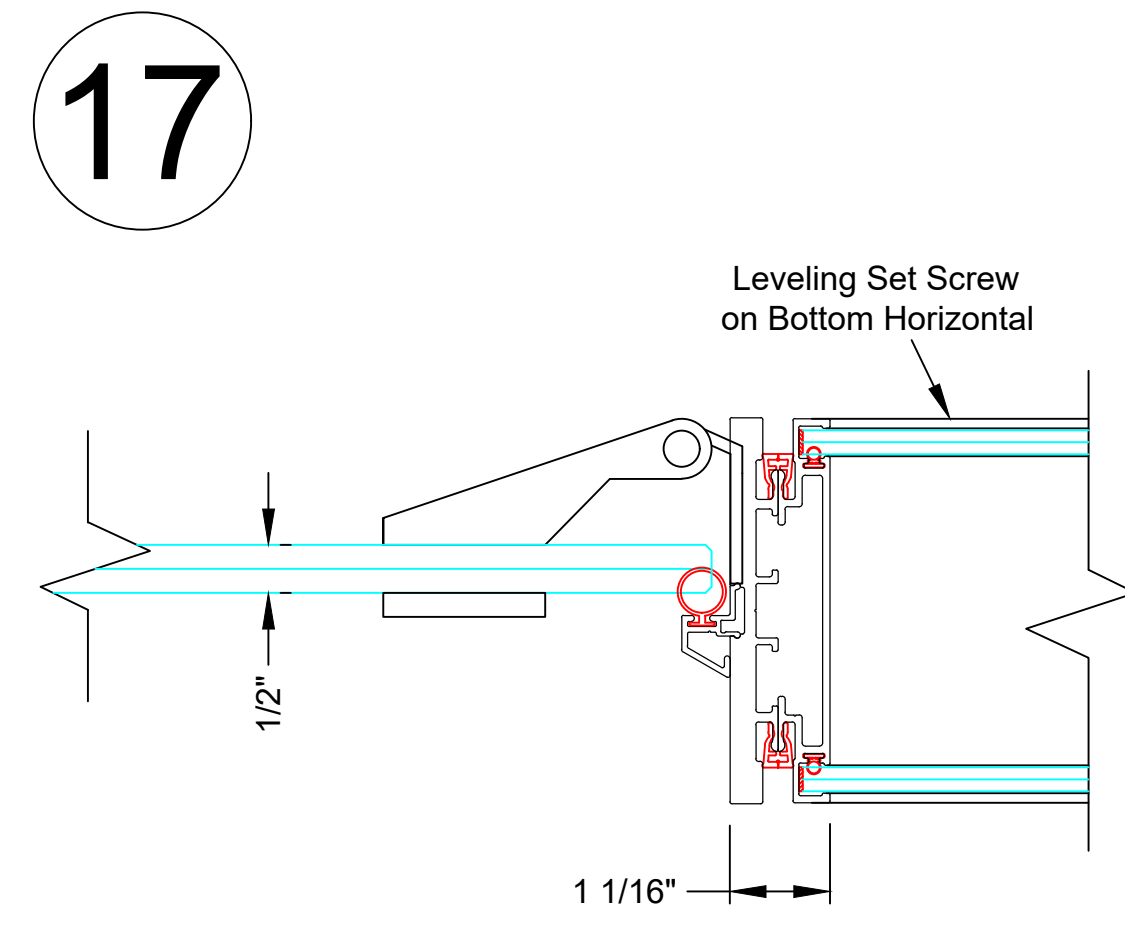




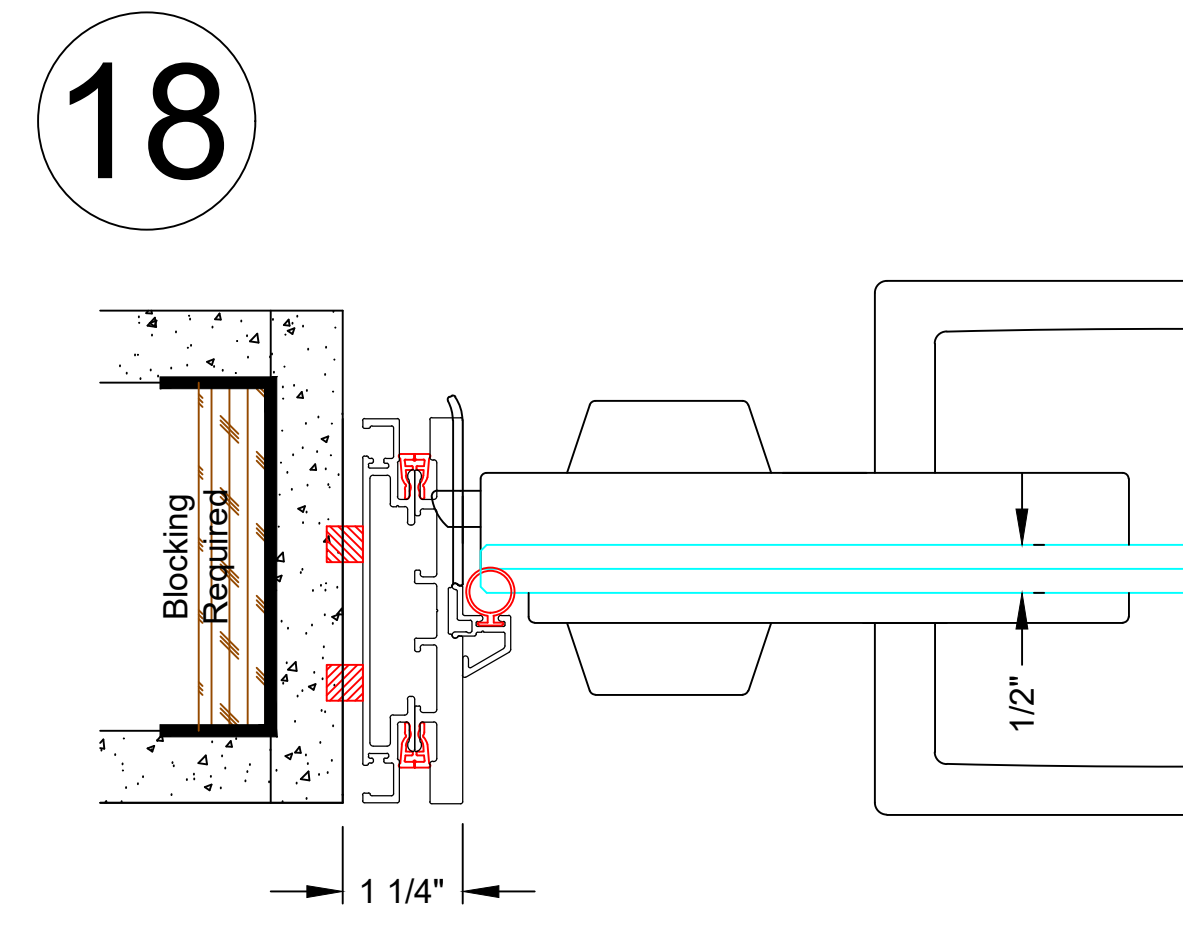




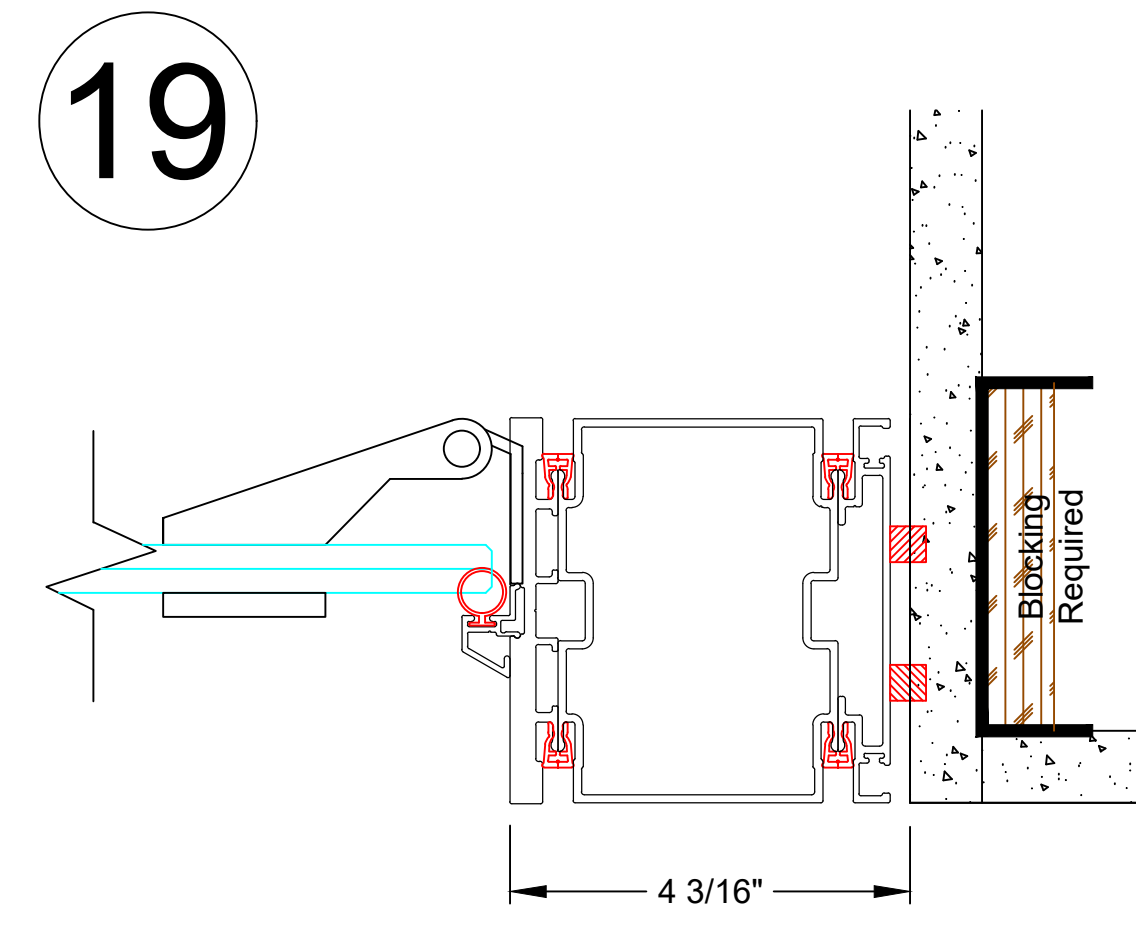
16  
Panel to DF Keeper  
Glass Hinged Door



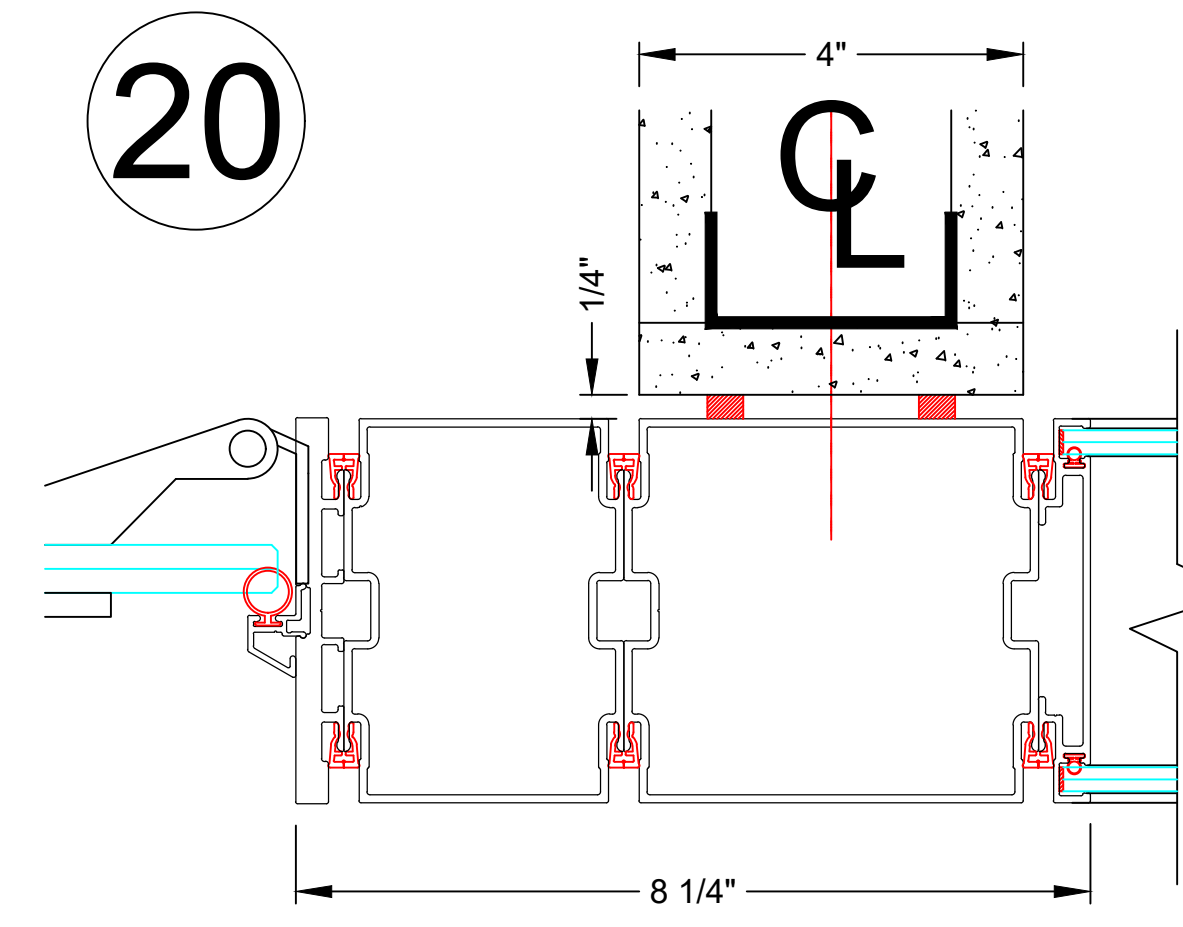
17  
Panel to DF Hinge  
Glass Hinged Door



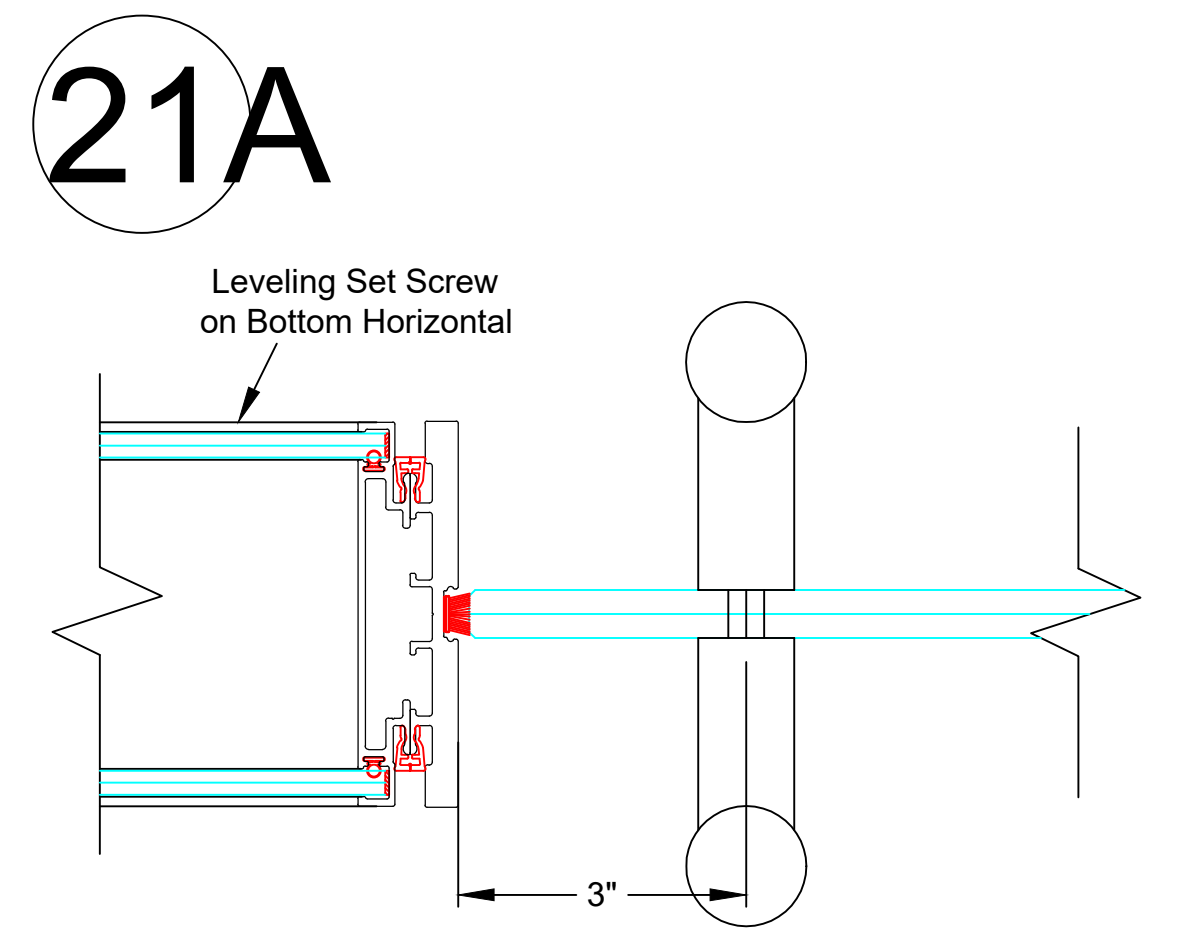
18  
DF Keeper at Flush Start  
Glass Hinged Door



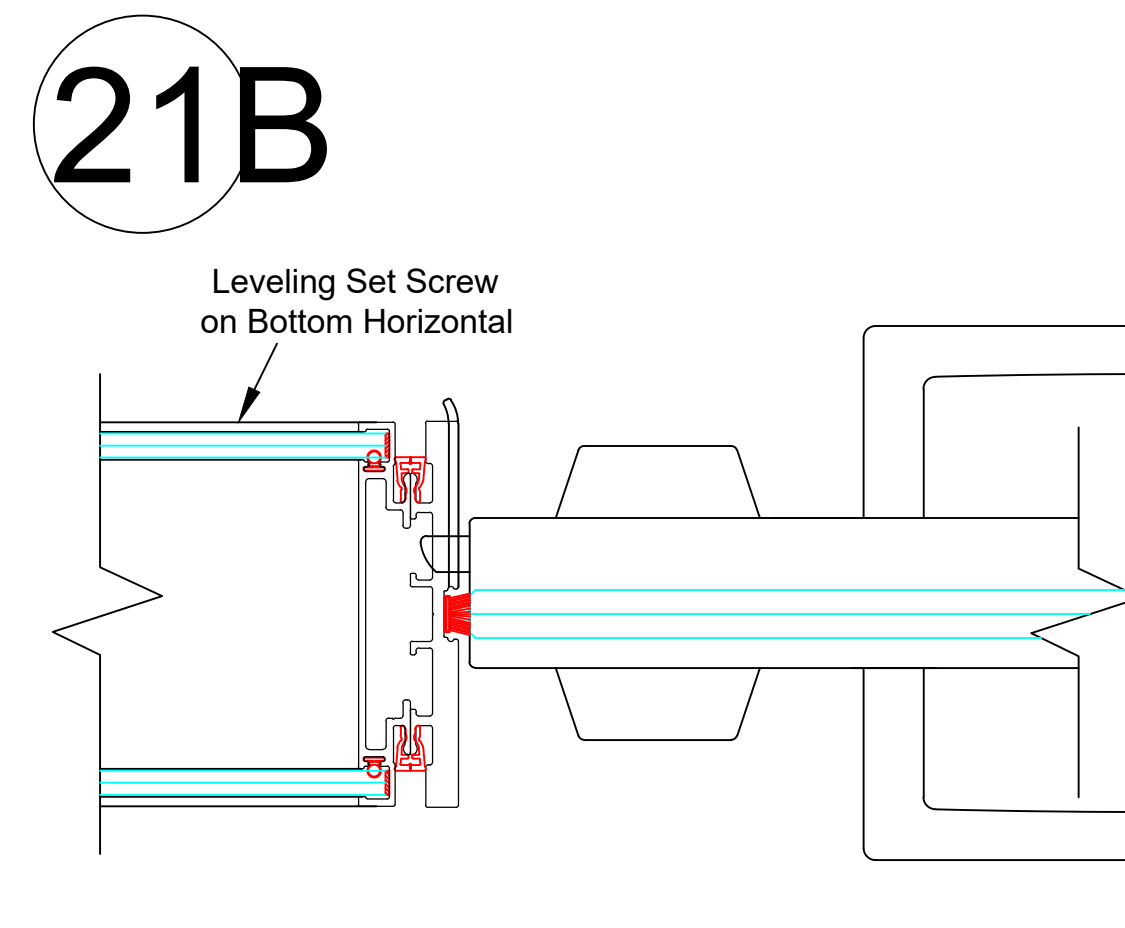
19  
DF Hinge at Flush Start  
Glass Hinged Door



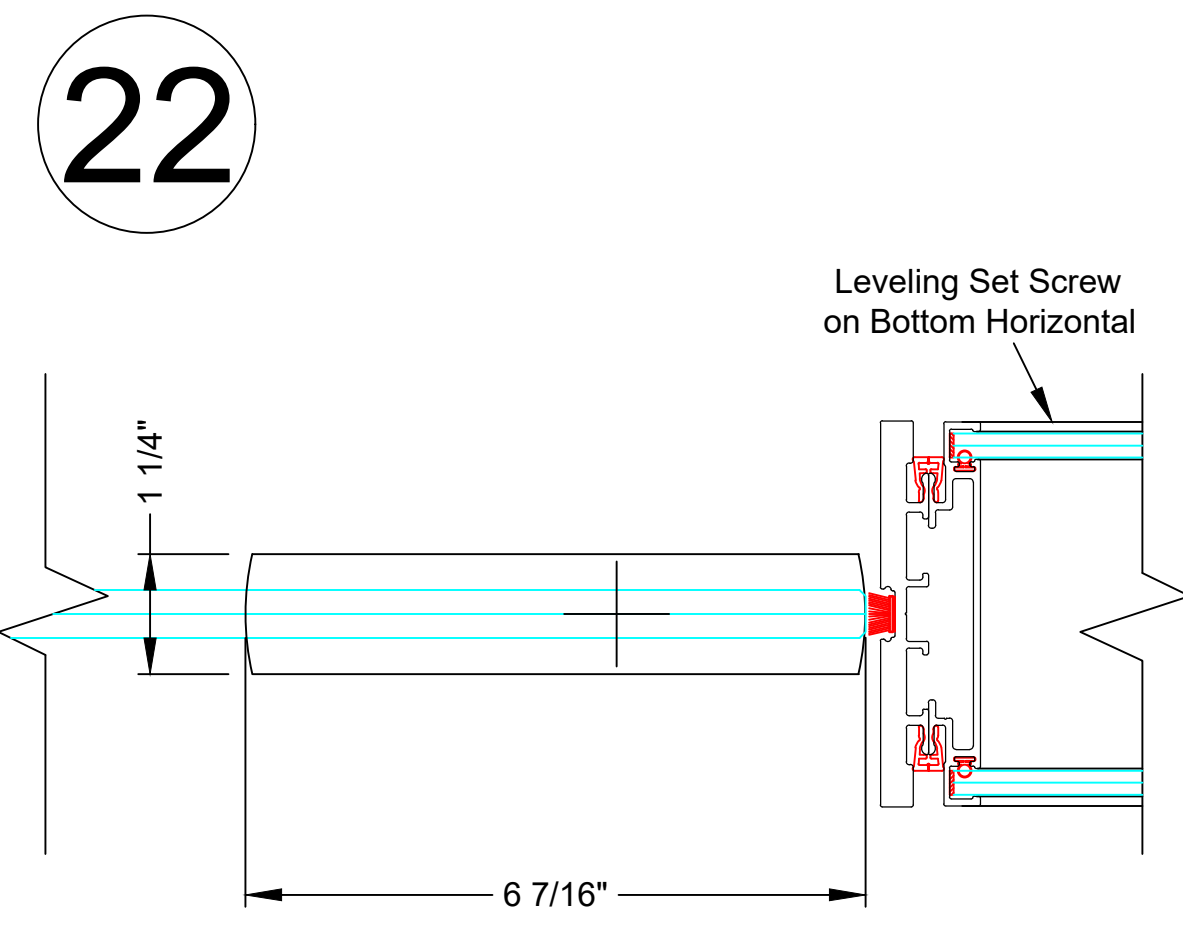
20  
DF Hinge at 4" Bypass  
Glass Hinged Door



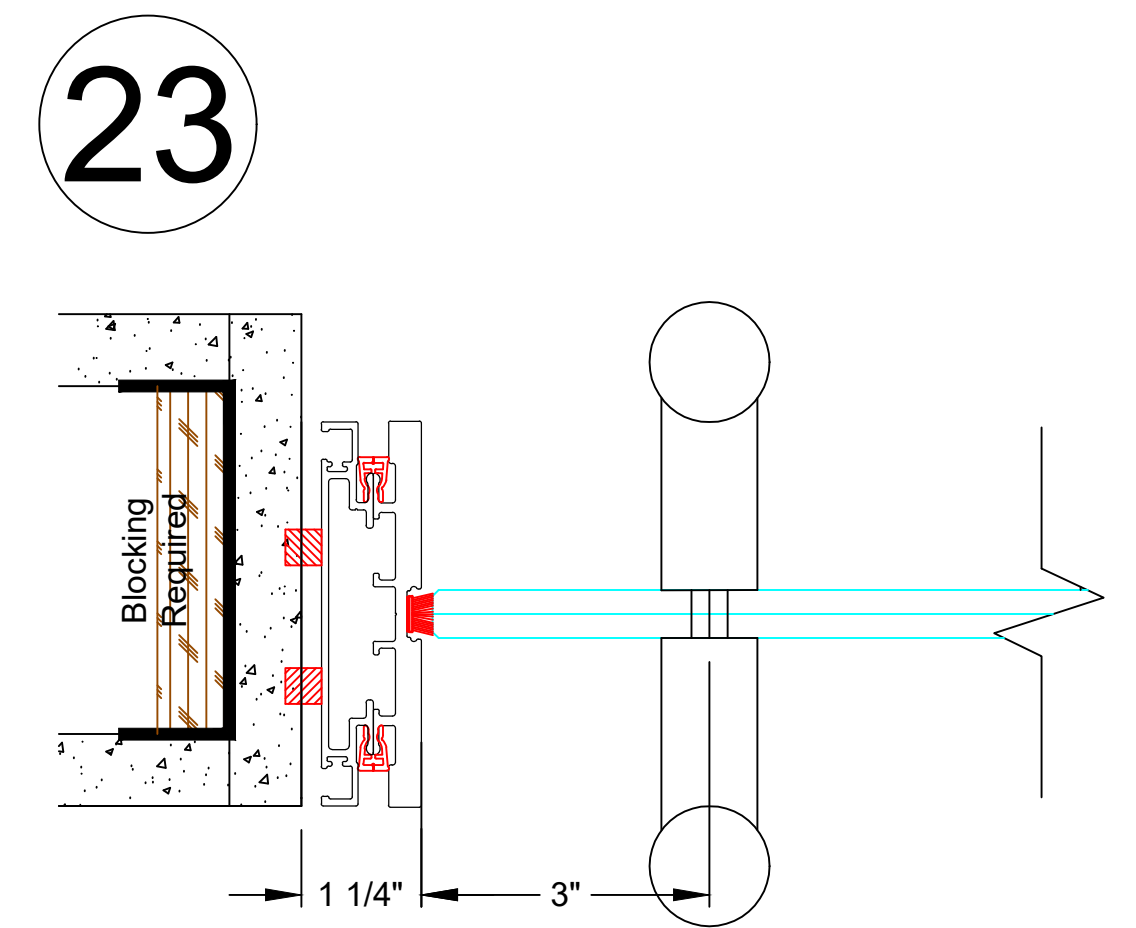
21A  
Panel to DF Keeper  
Glass Pivot Door



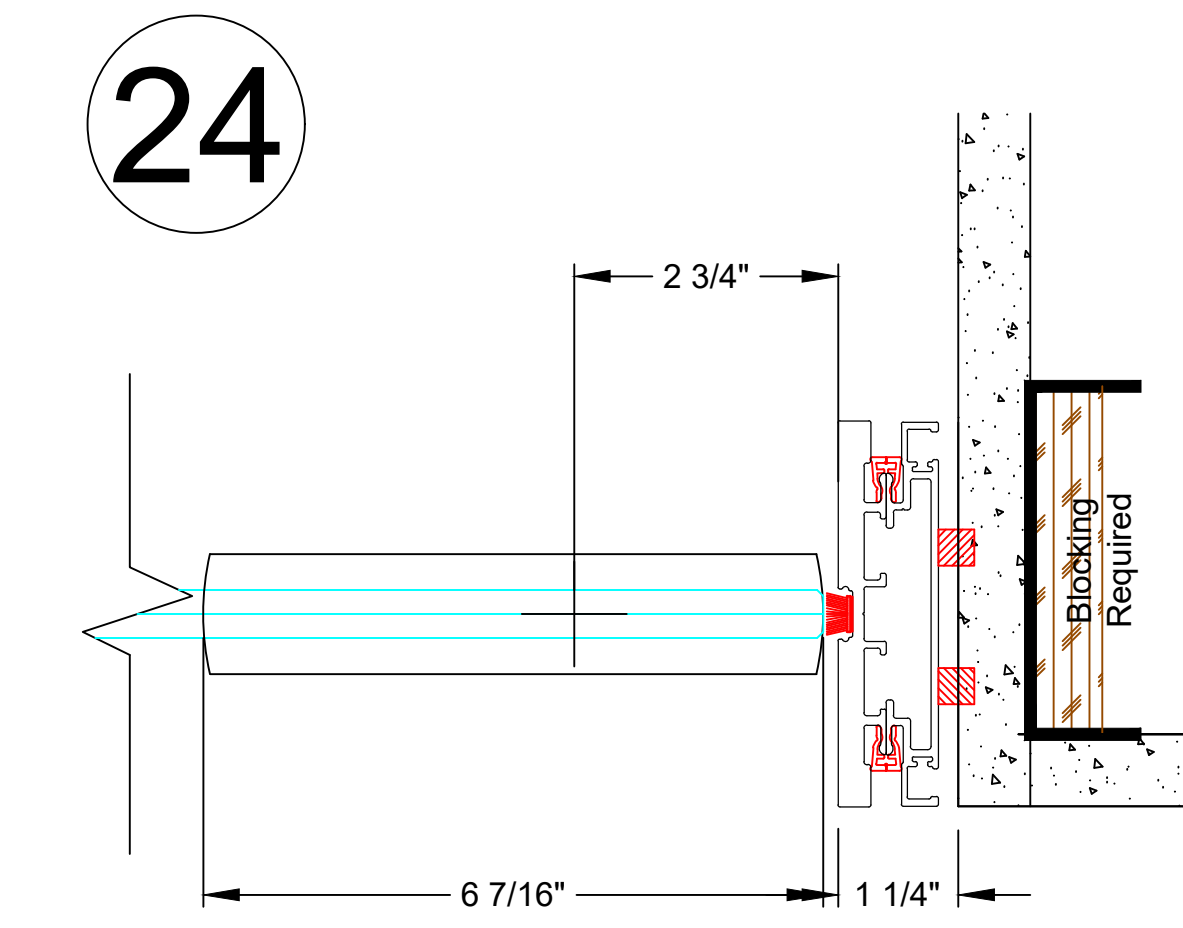
21B  
Panel to DF Keeper  
Glass Pivot Door



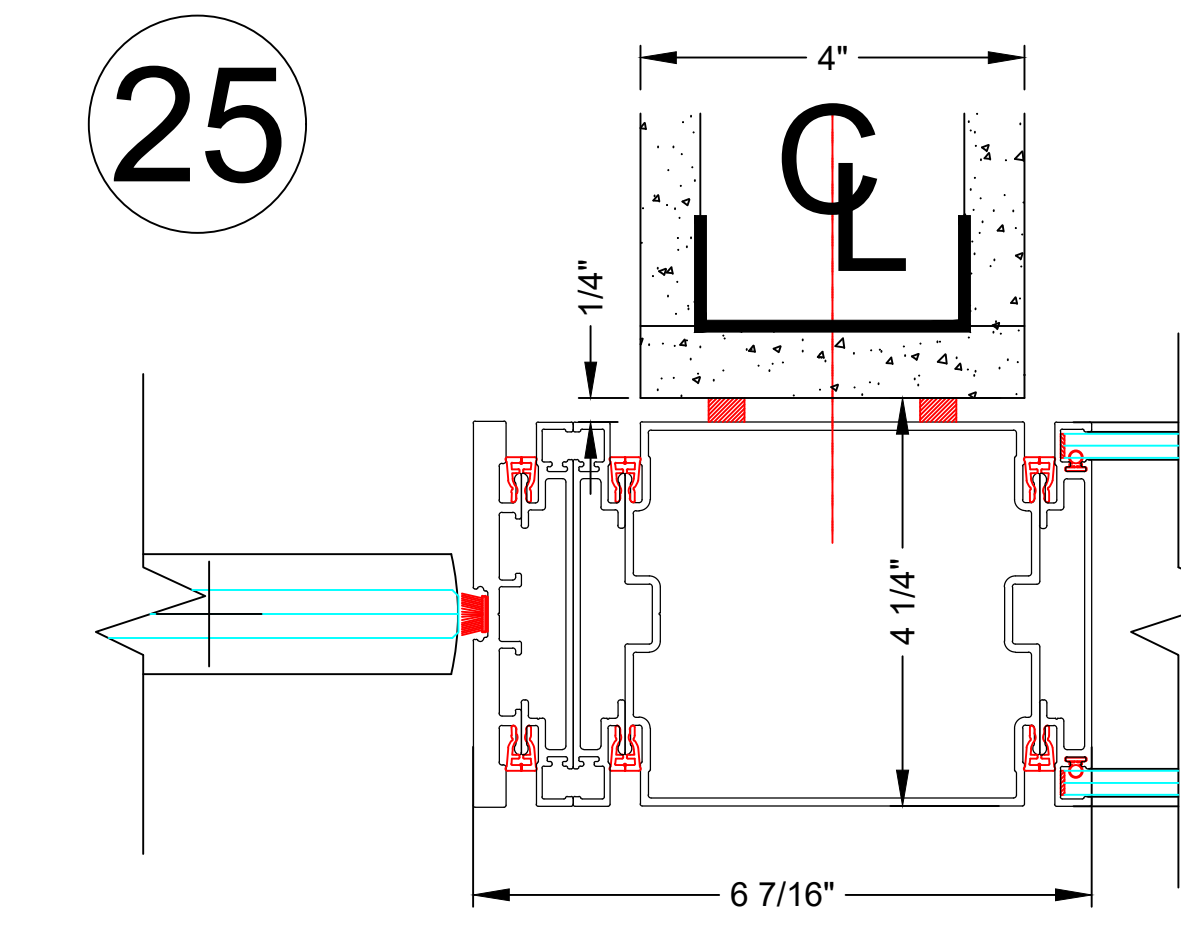
22  
Panel to DF Pivot  
Glass Pivot Door



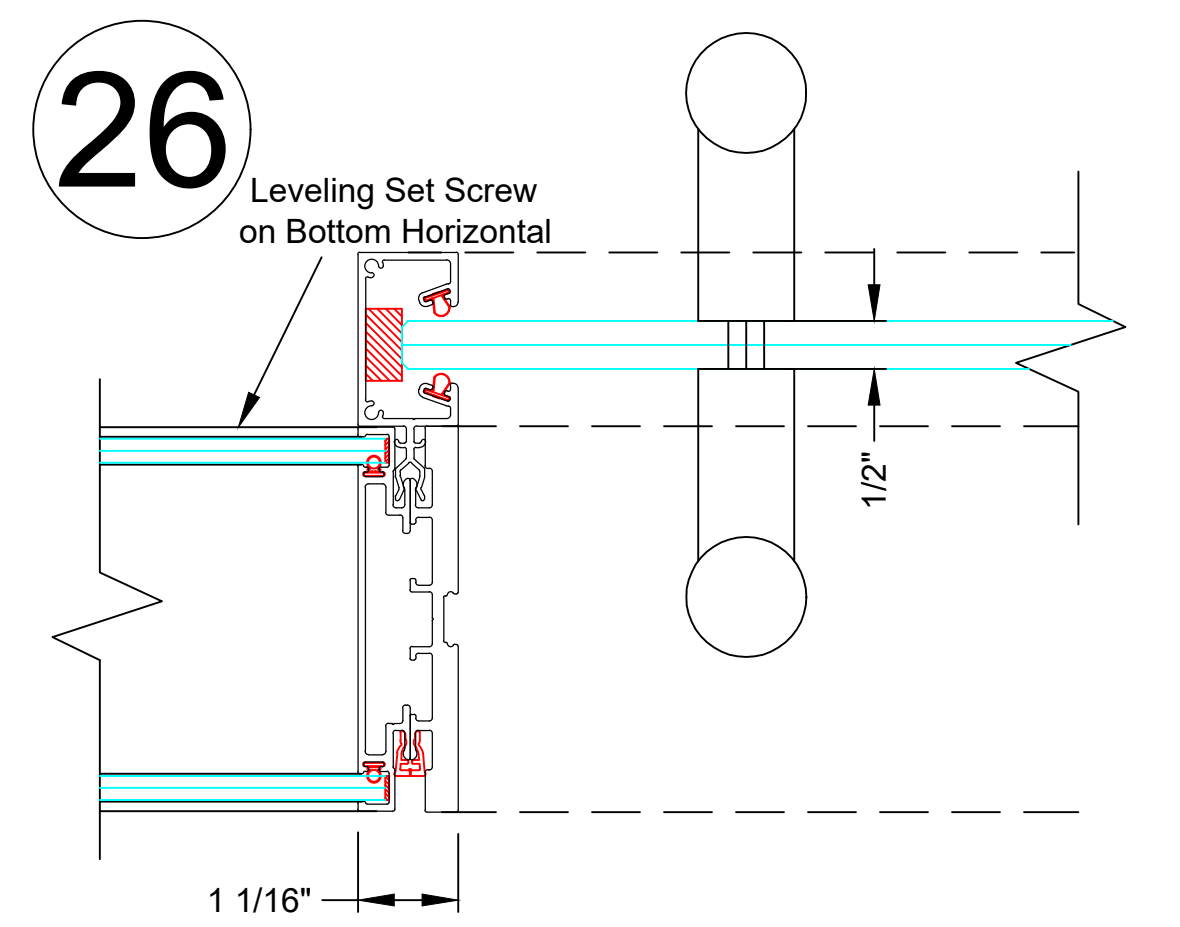
23  
DF Keeper at Flush Start  
Glass Pivot Door



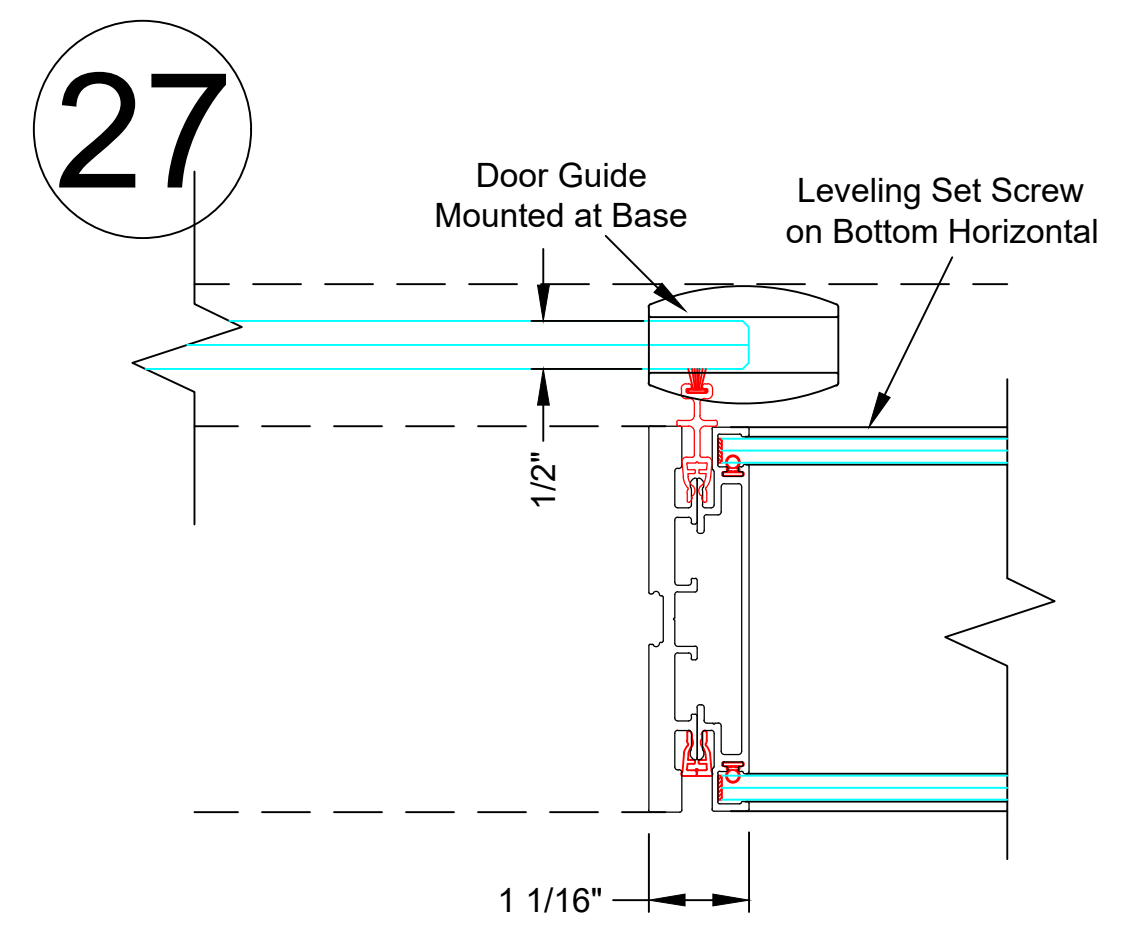
24  
DF Pivot at Flush Start  
Glass Pivot Door



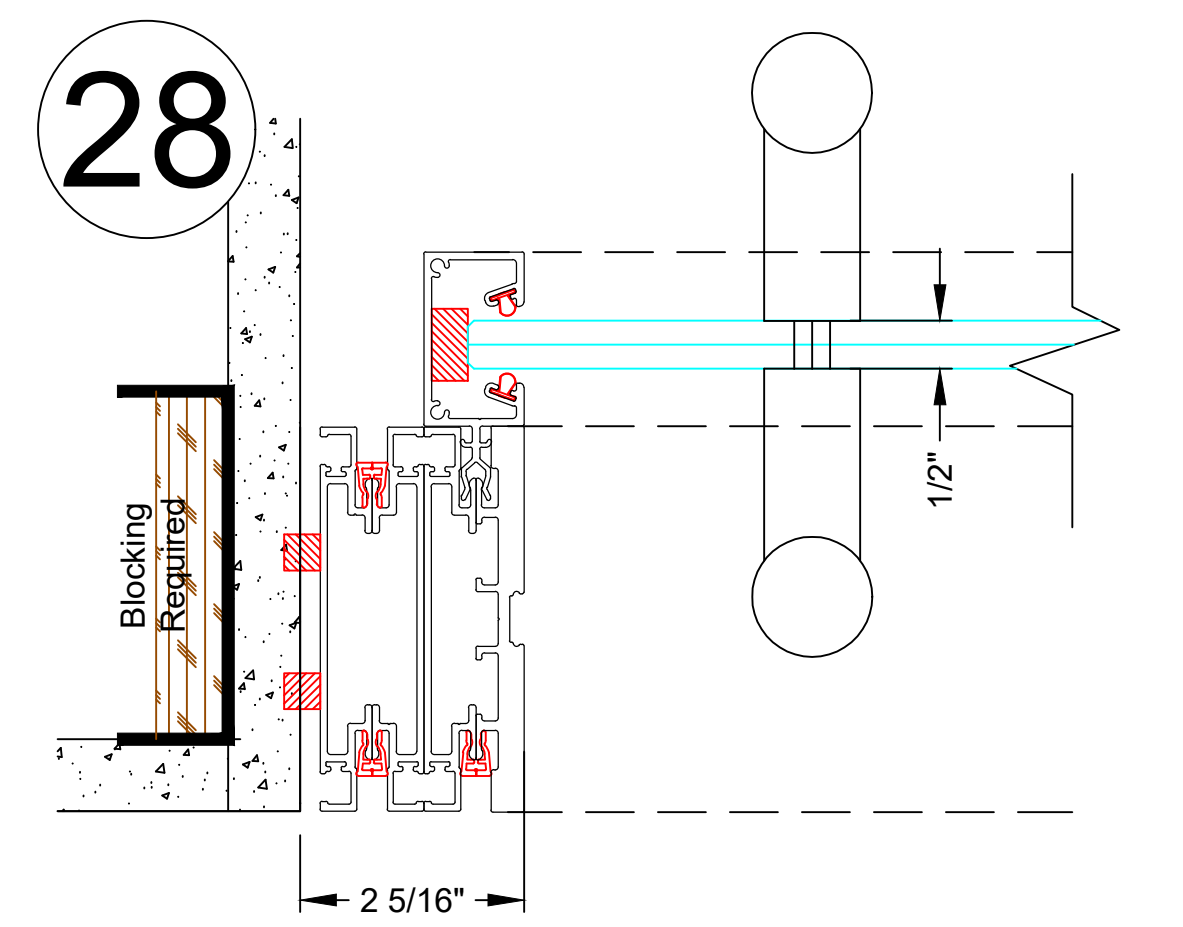
25  
DF Pivot at 4" Bypass  
Glass Pivot Door



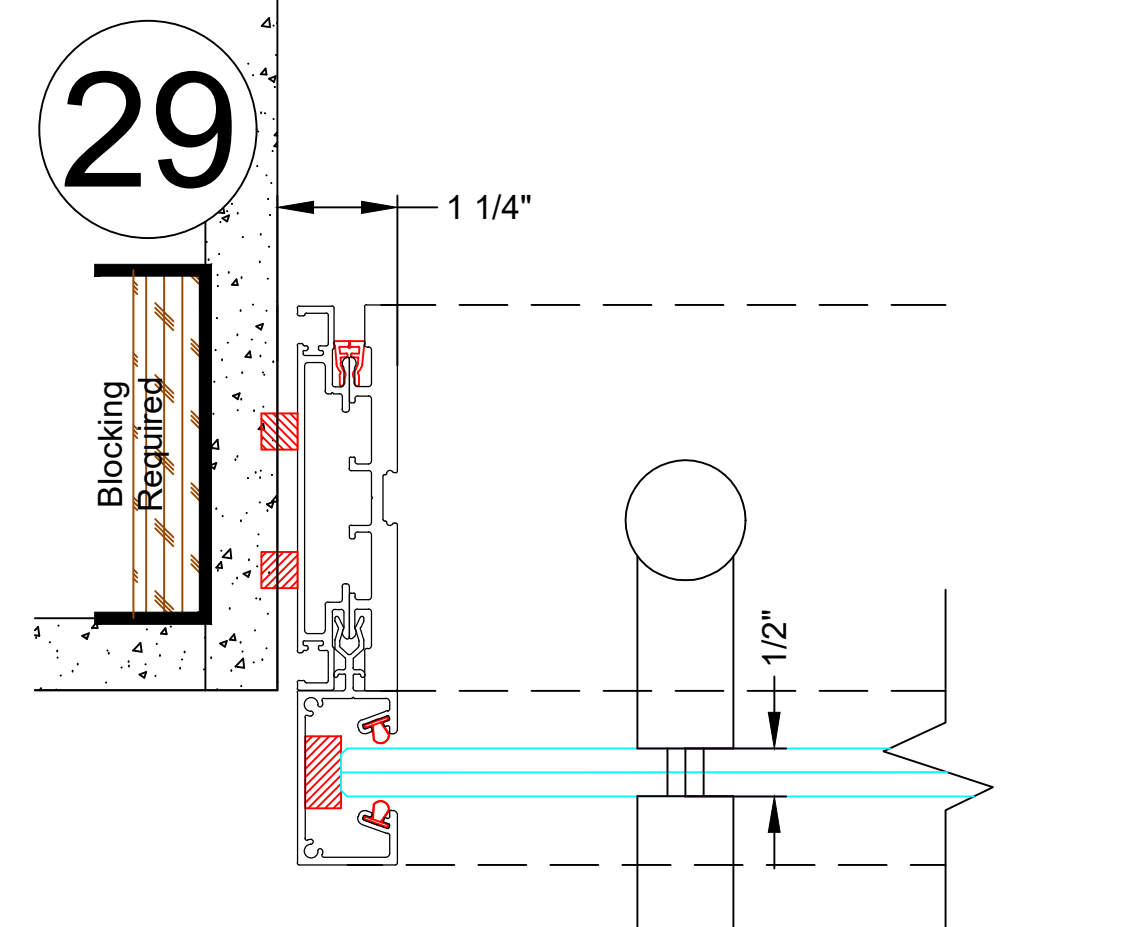
26  
Panel to DF Receiver  
Glass Sliding Door



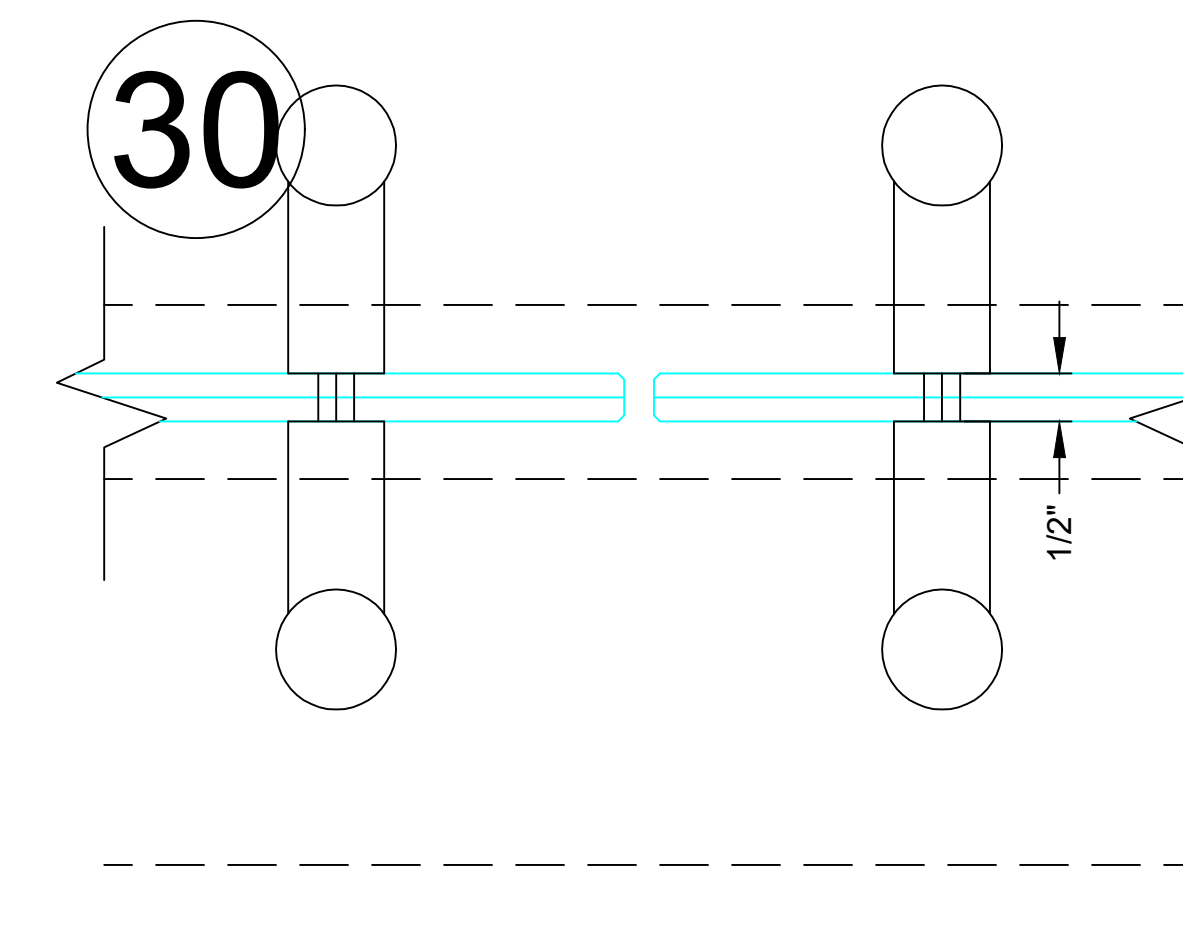
27  
Panel to DF Seal  
Glass Sliding Door



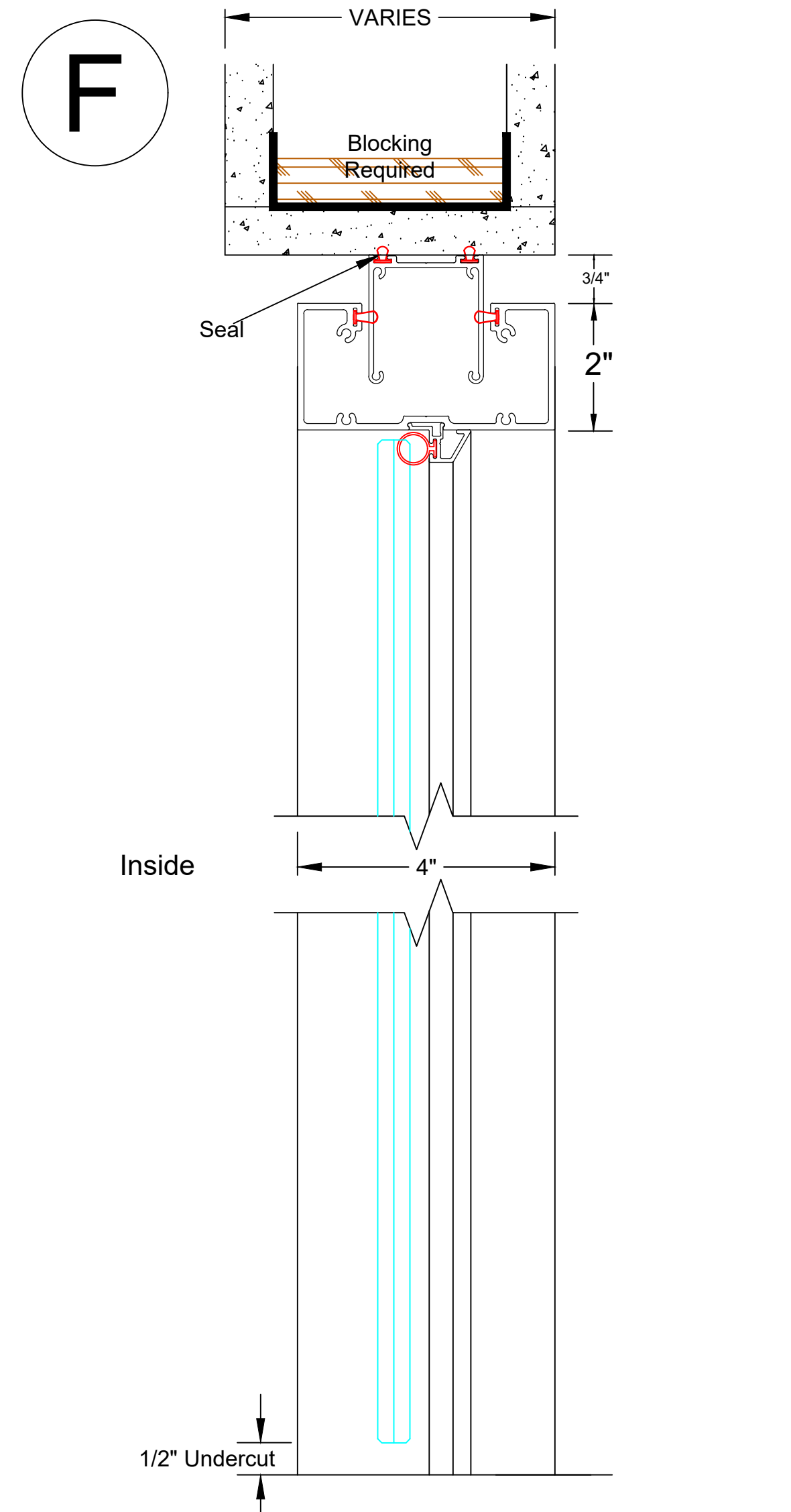
28  
Receiver at Flush Start  
Glass Sliding Door



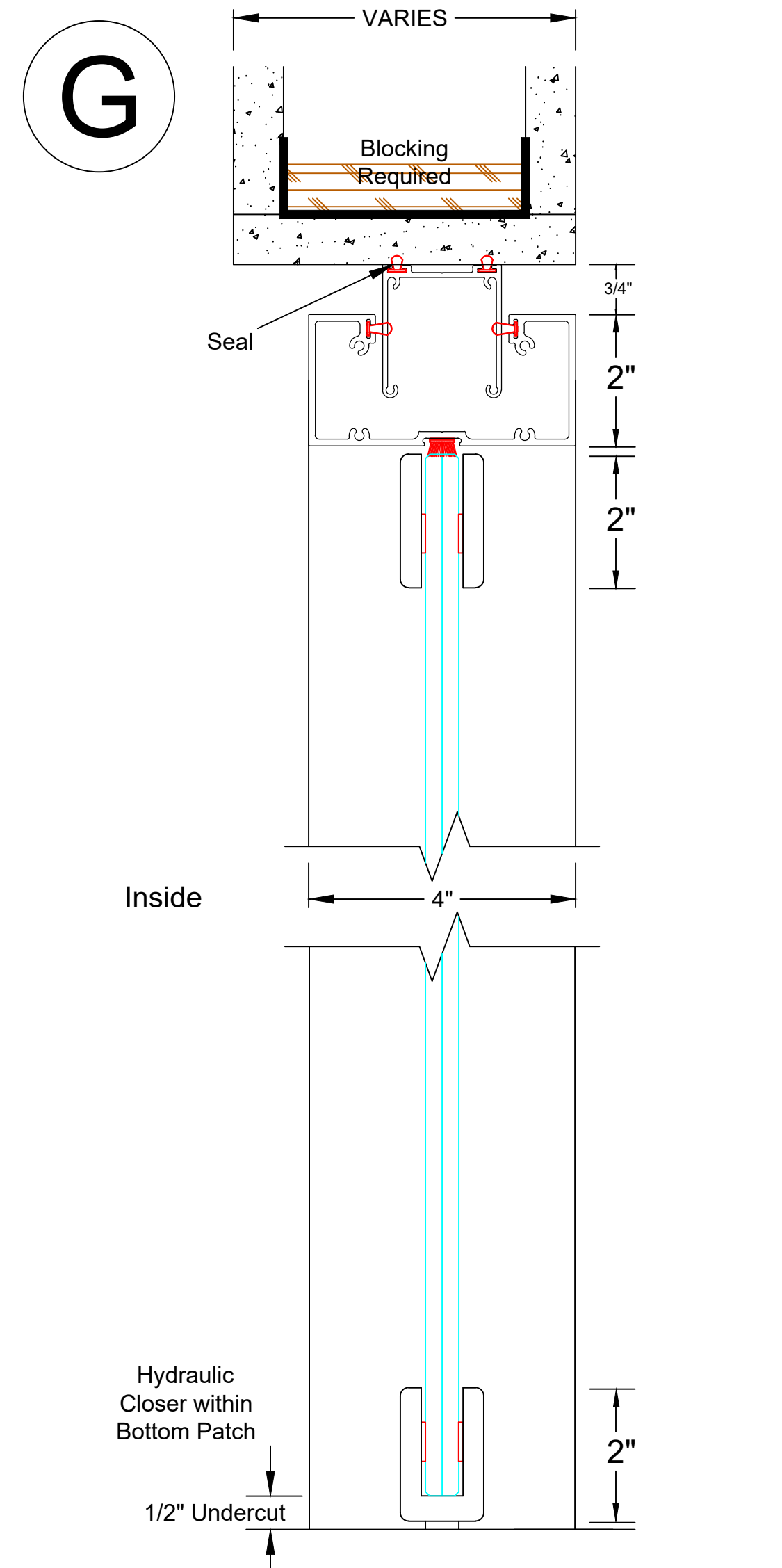
29  
Receiver at Flush Start  
Glass Sliding Door



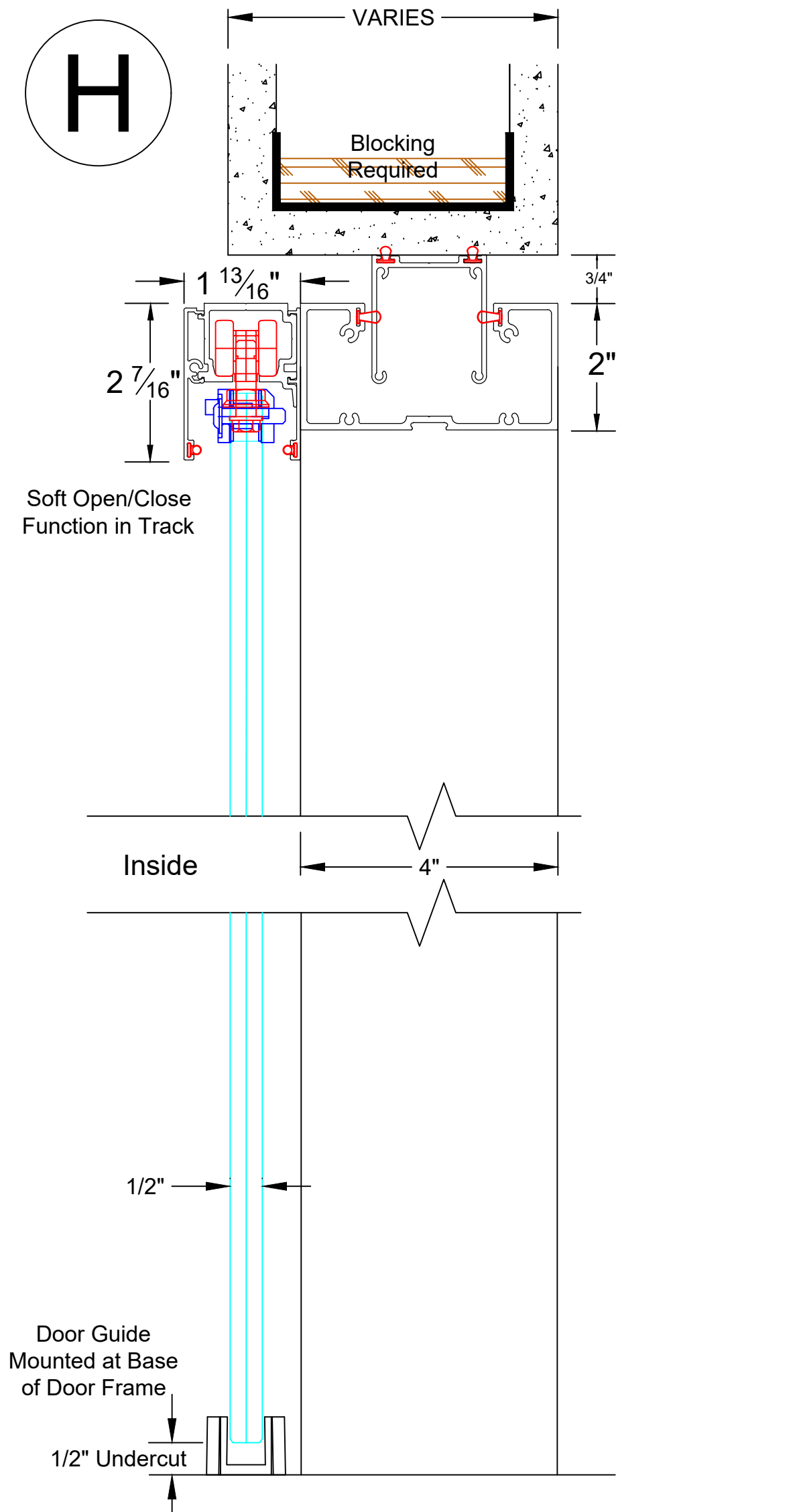
30  
Double Door Pulls  
Glass Sliding Door



F  
Glass Hinged Door



G  
Glass Pivot Door



H  
Glass Sliding Door

8	
7	
6	
5	
4	
3	
2	
1	

NO.	DATE	ISSUE/REVISION
-----	------	----------------

CURRENT REVISION: 0