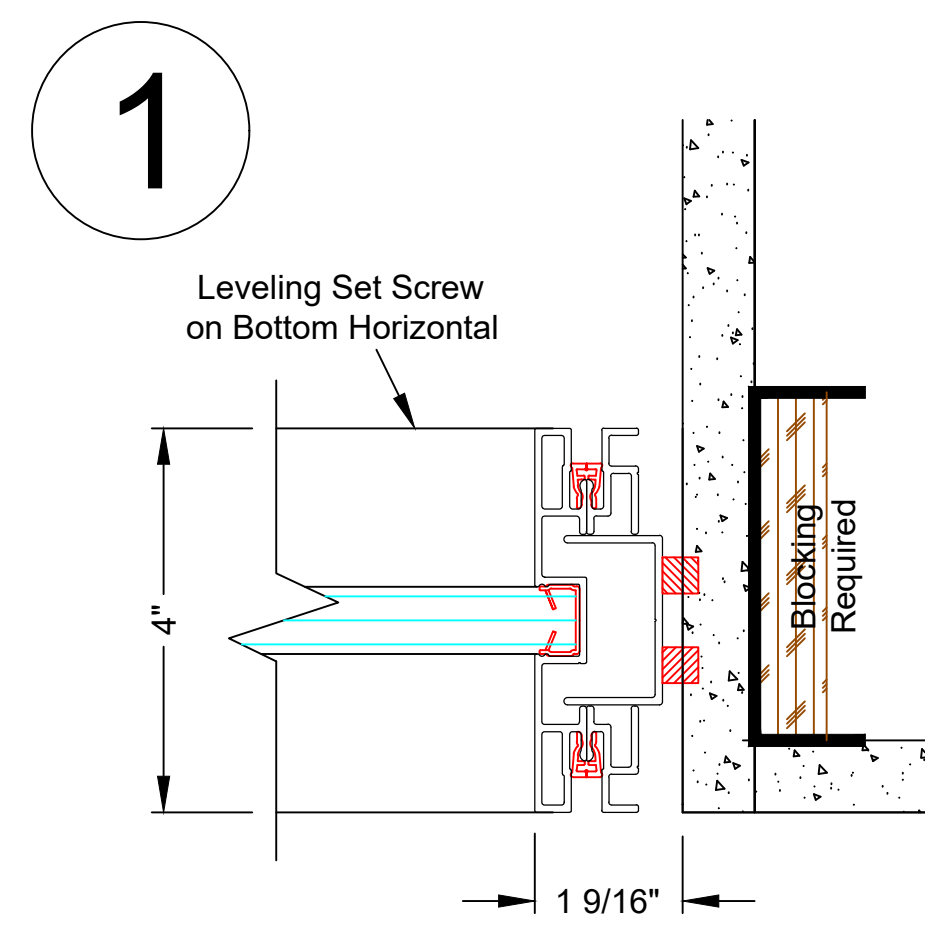


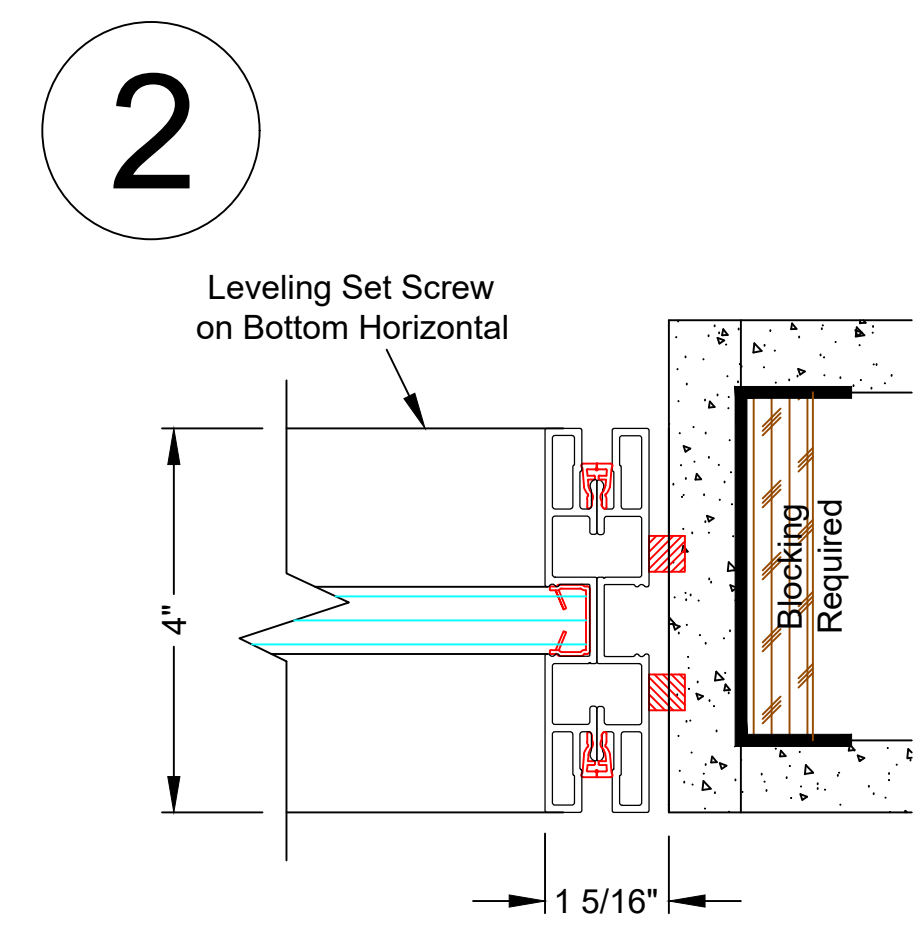
This Document is the property and copyright of Infinium Architectural Wall Systems, Inc. and shall not be reproduced without the written consent of Infinium Architectural Wall Systems, Inc. This drawing is to be used for evaluation, bidding, and construction only and should not be used for building construction.

NO. DATE ISSUE/REVISION
CURRENT REVISION

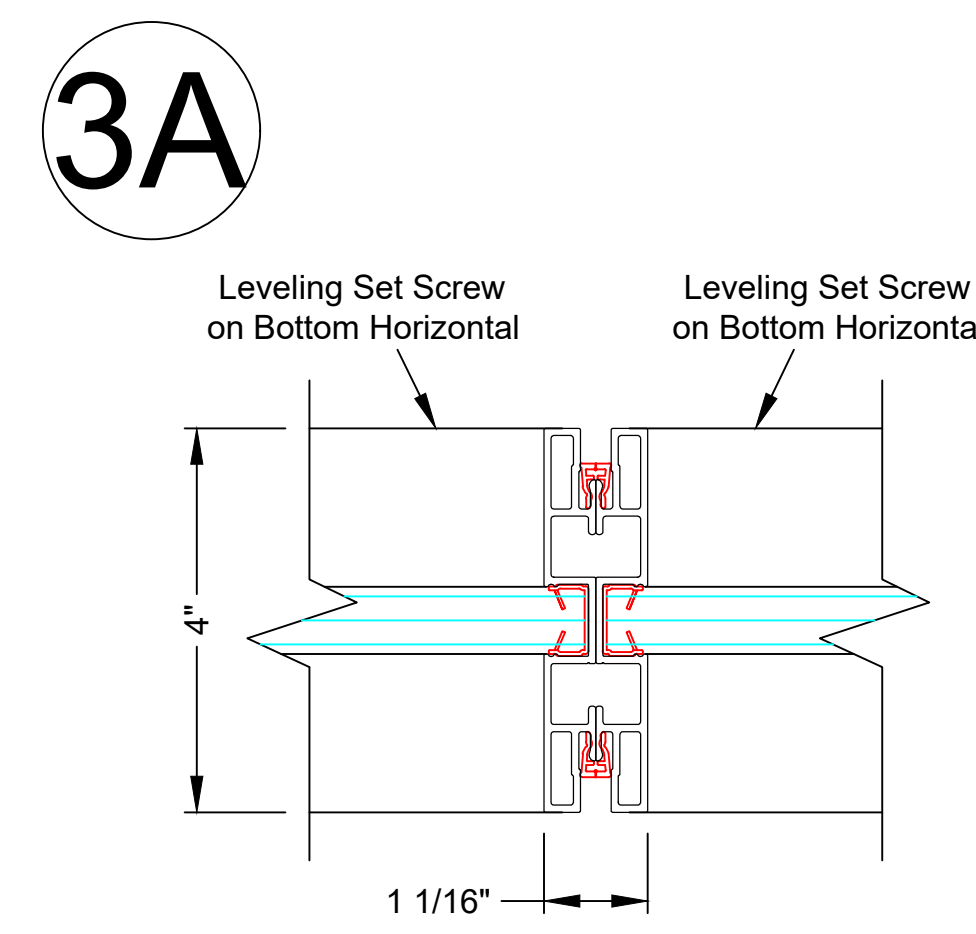
0



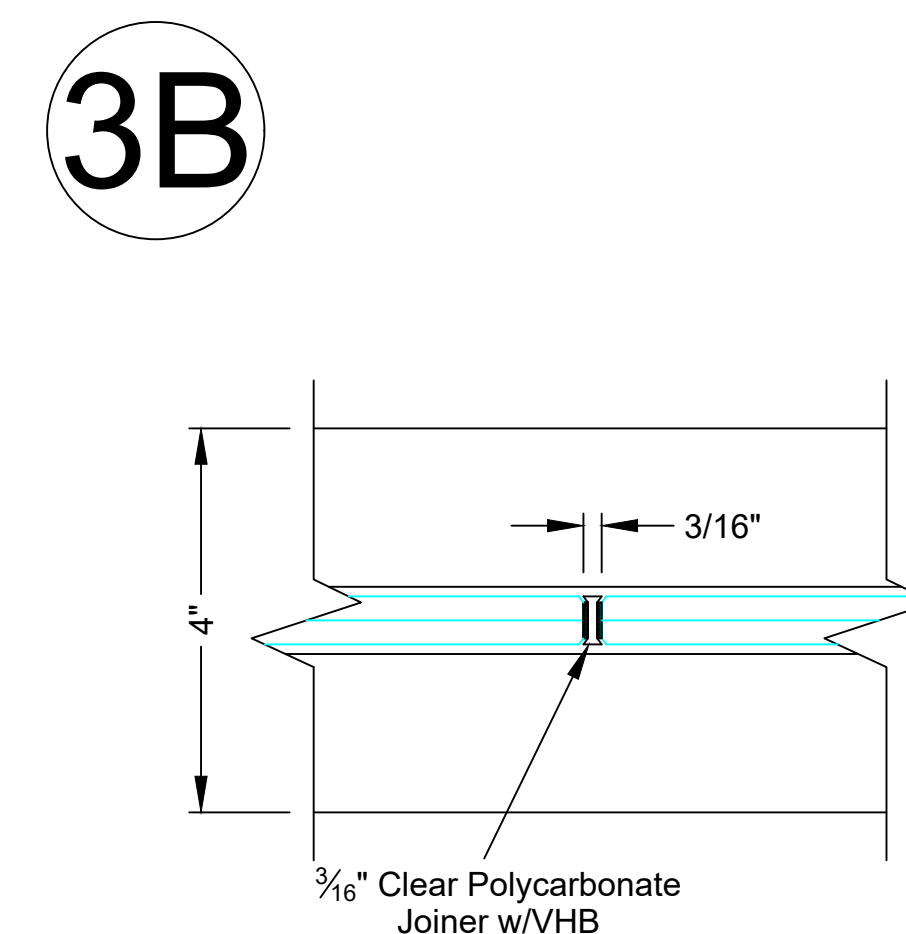
1 Recessed Wall Start



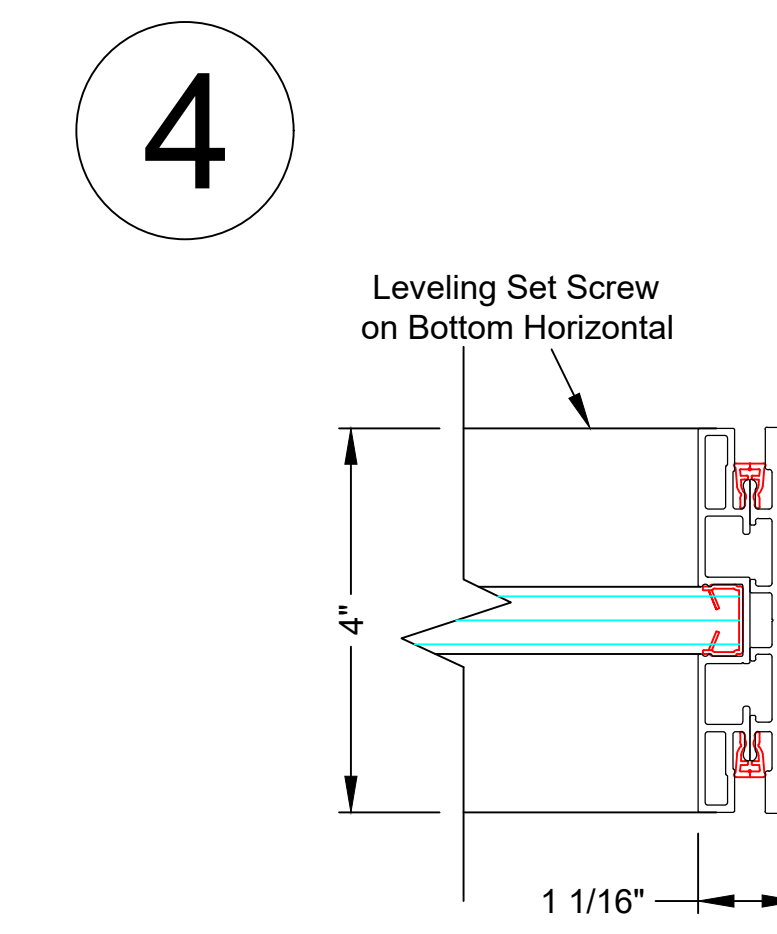
2 Flush Wall Start



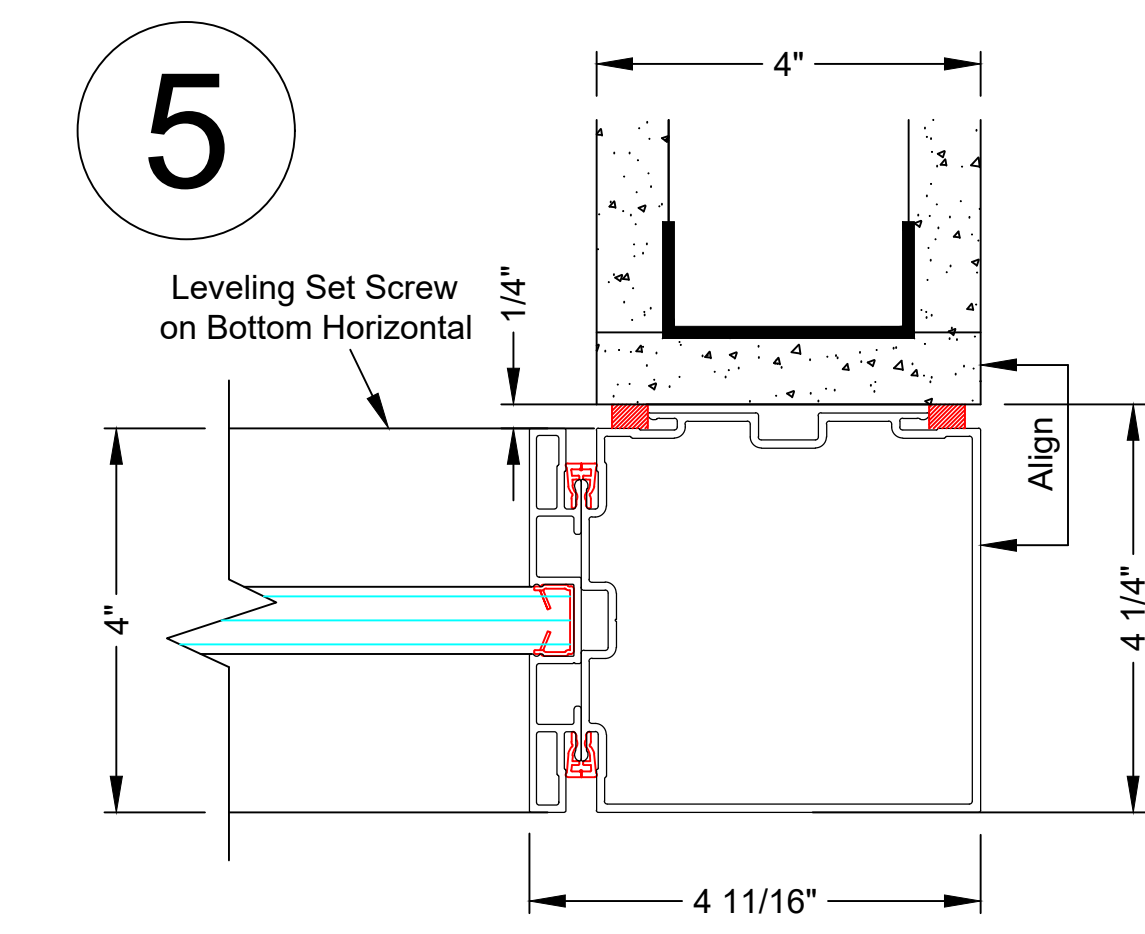
3A Panel Connection



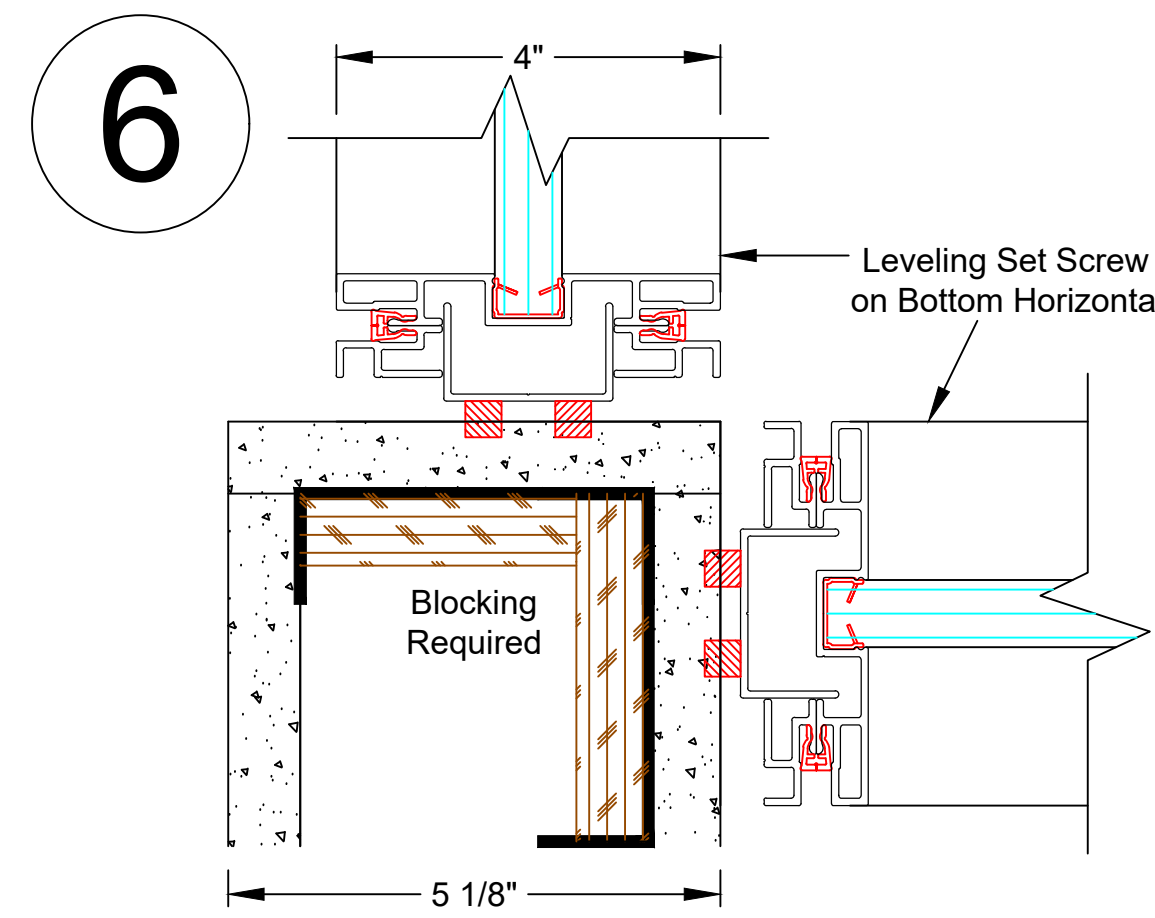
3B Butt Glazed Glass Connection



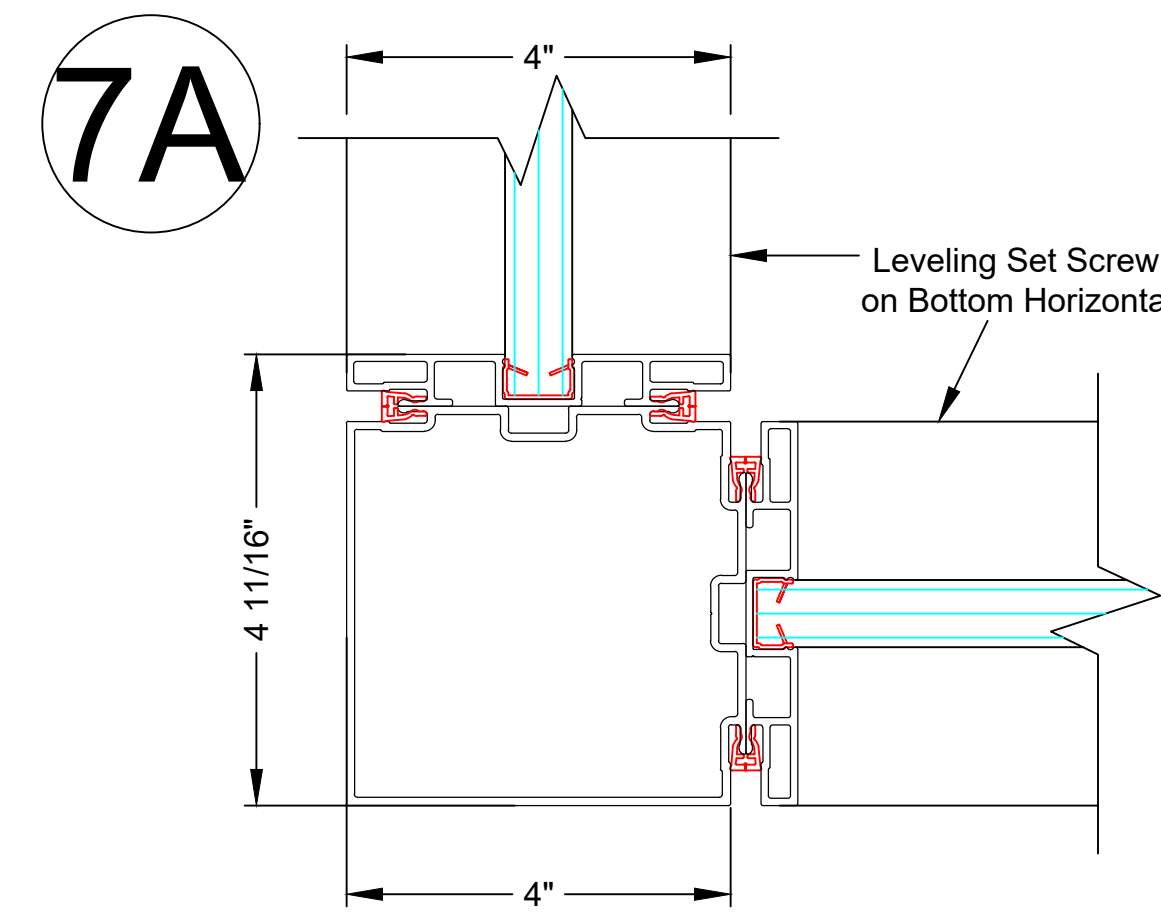
4 Finished End



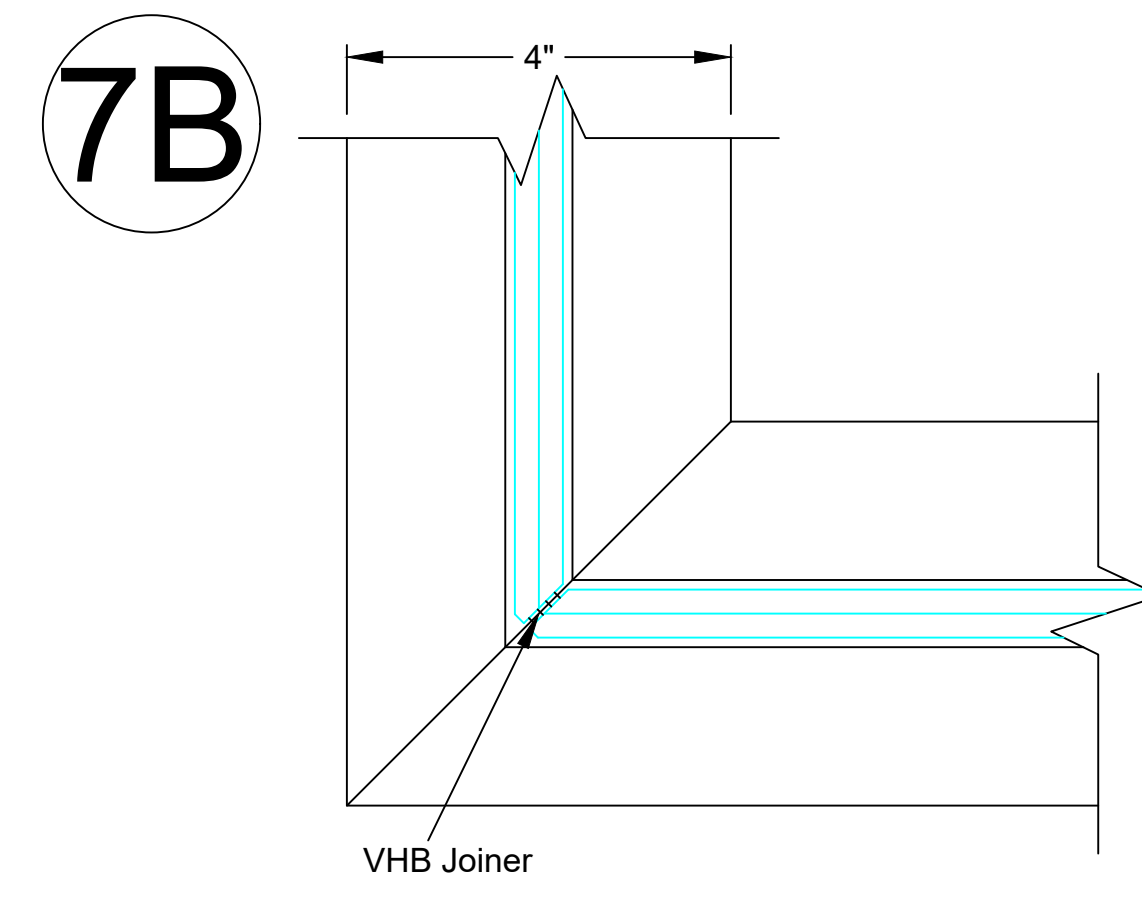
5 Finished End at Drywall Bypass



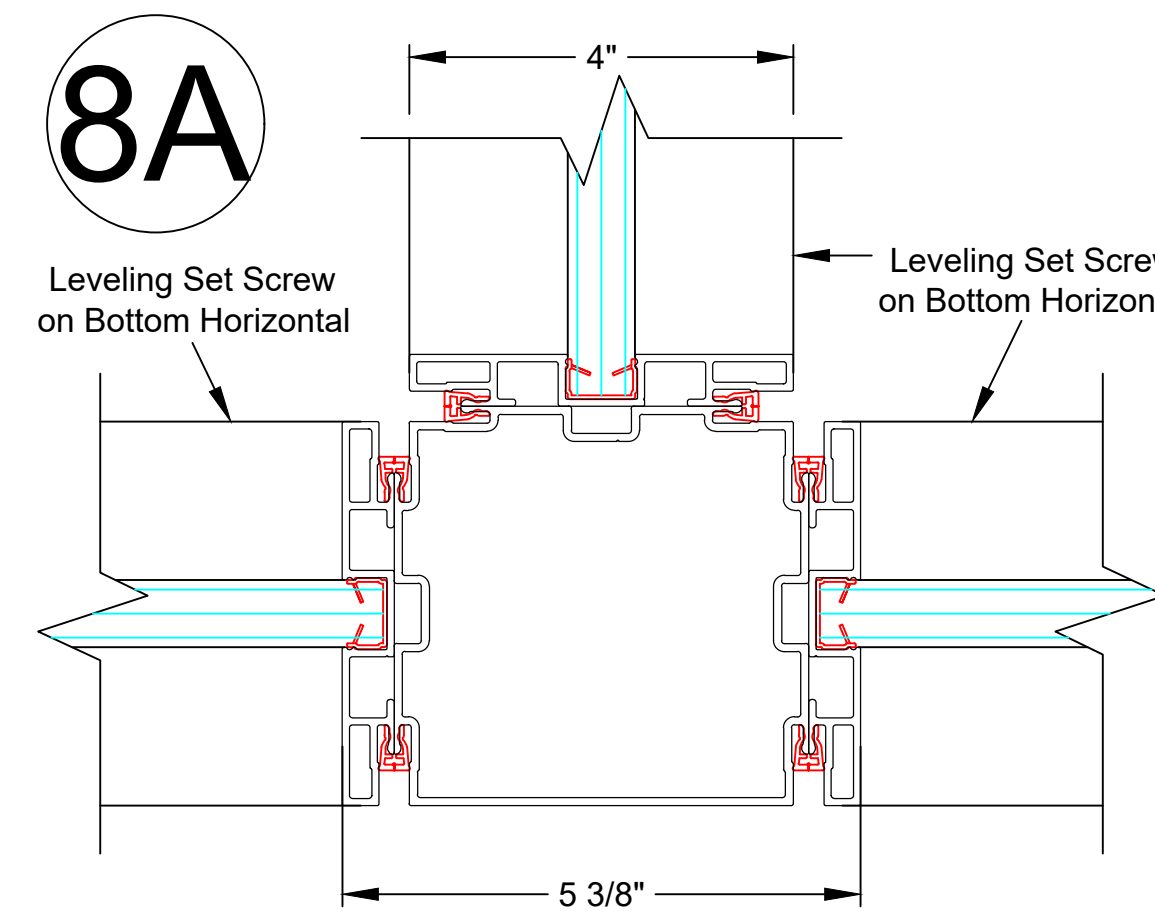
6 2-Way Connection at Drywall Corner



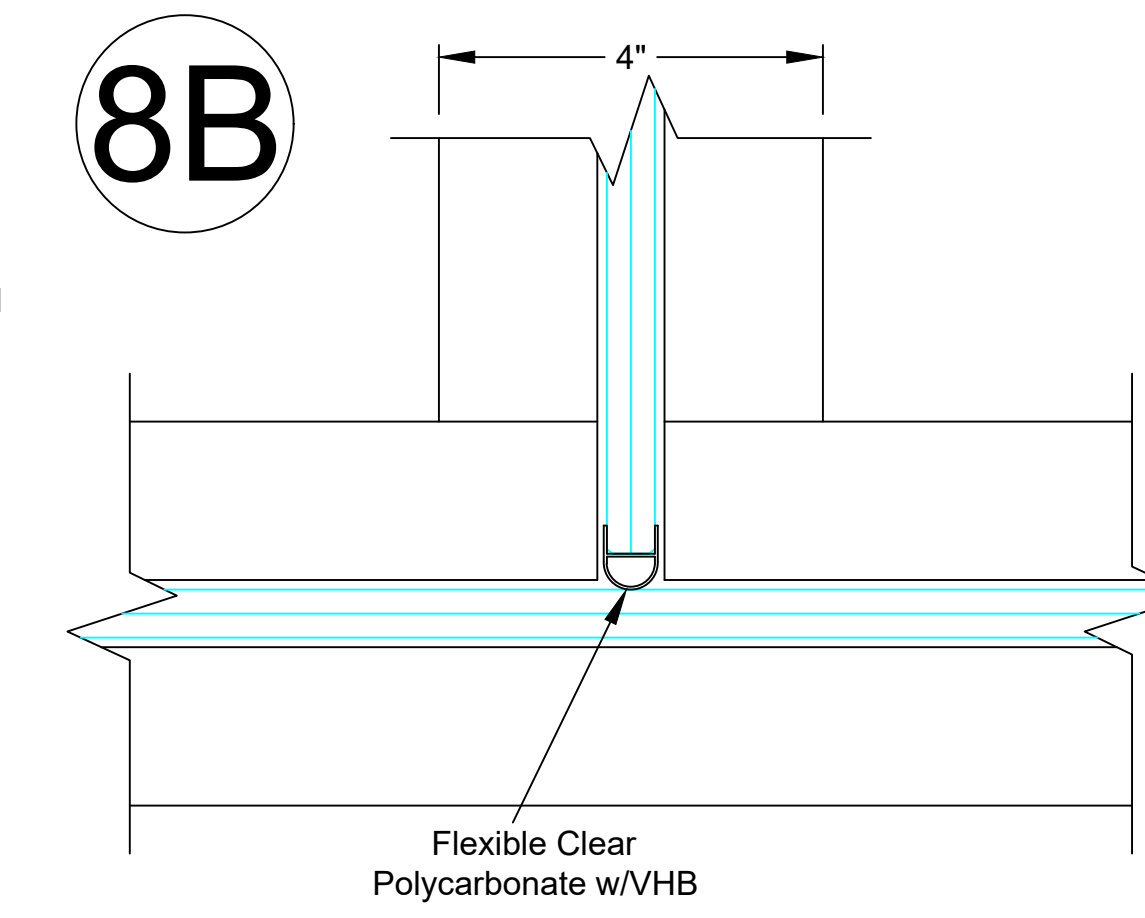
7A 2-Way Post



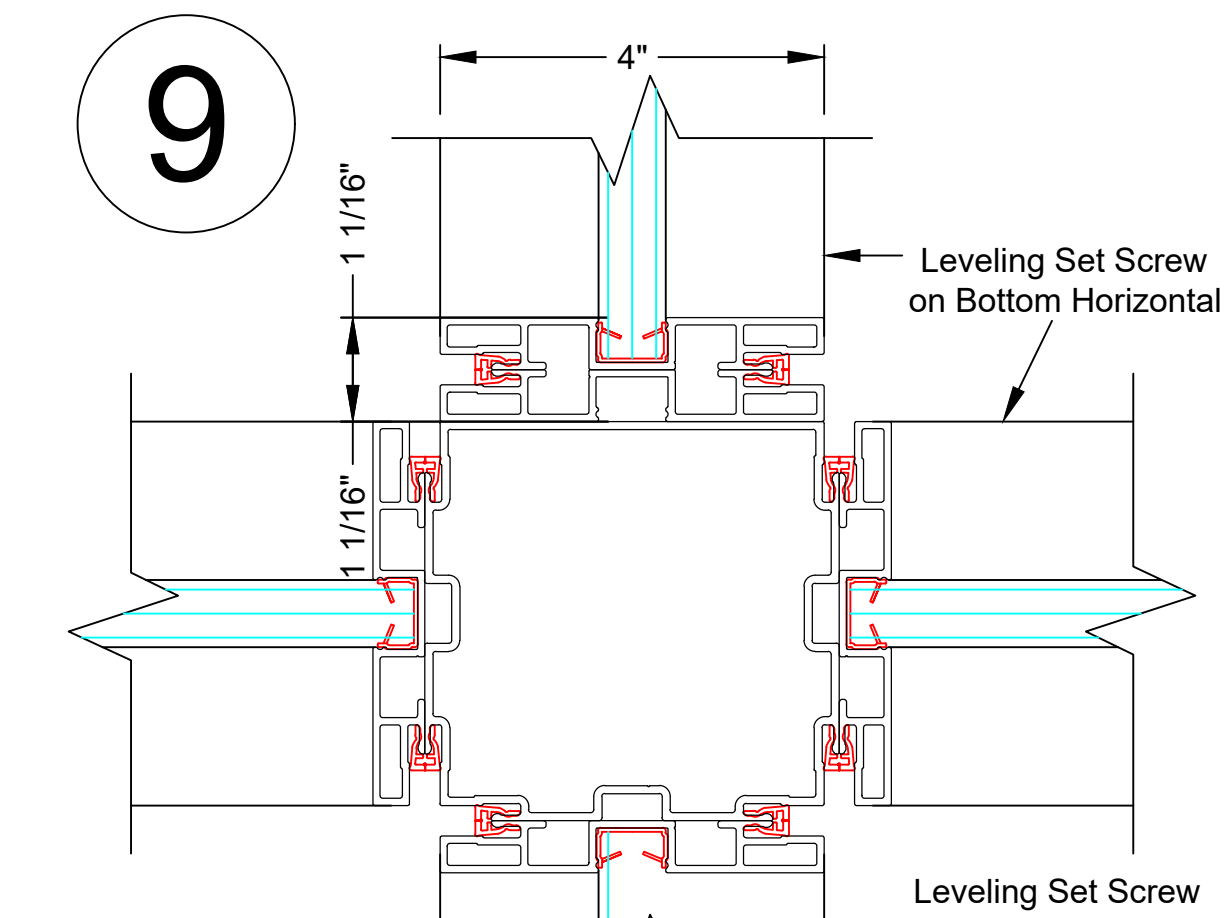
7B Butt Glazed Corner Connection



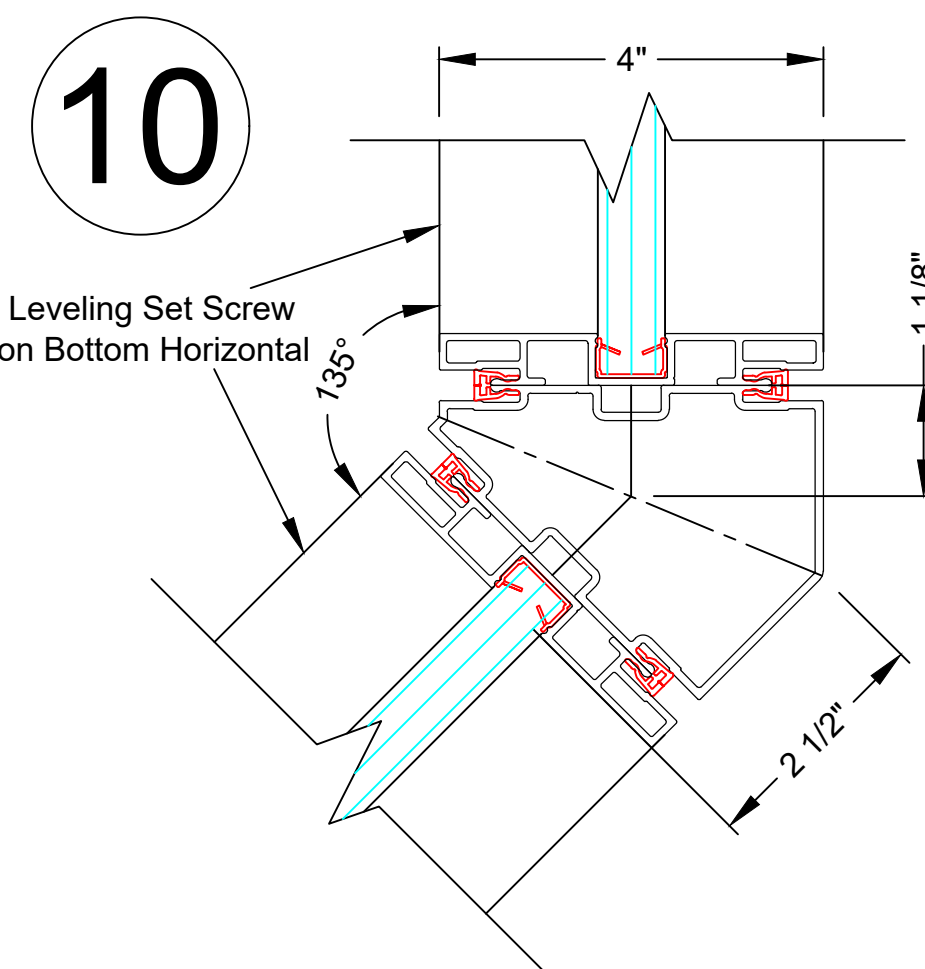
8A 3-Way Post



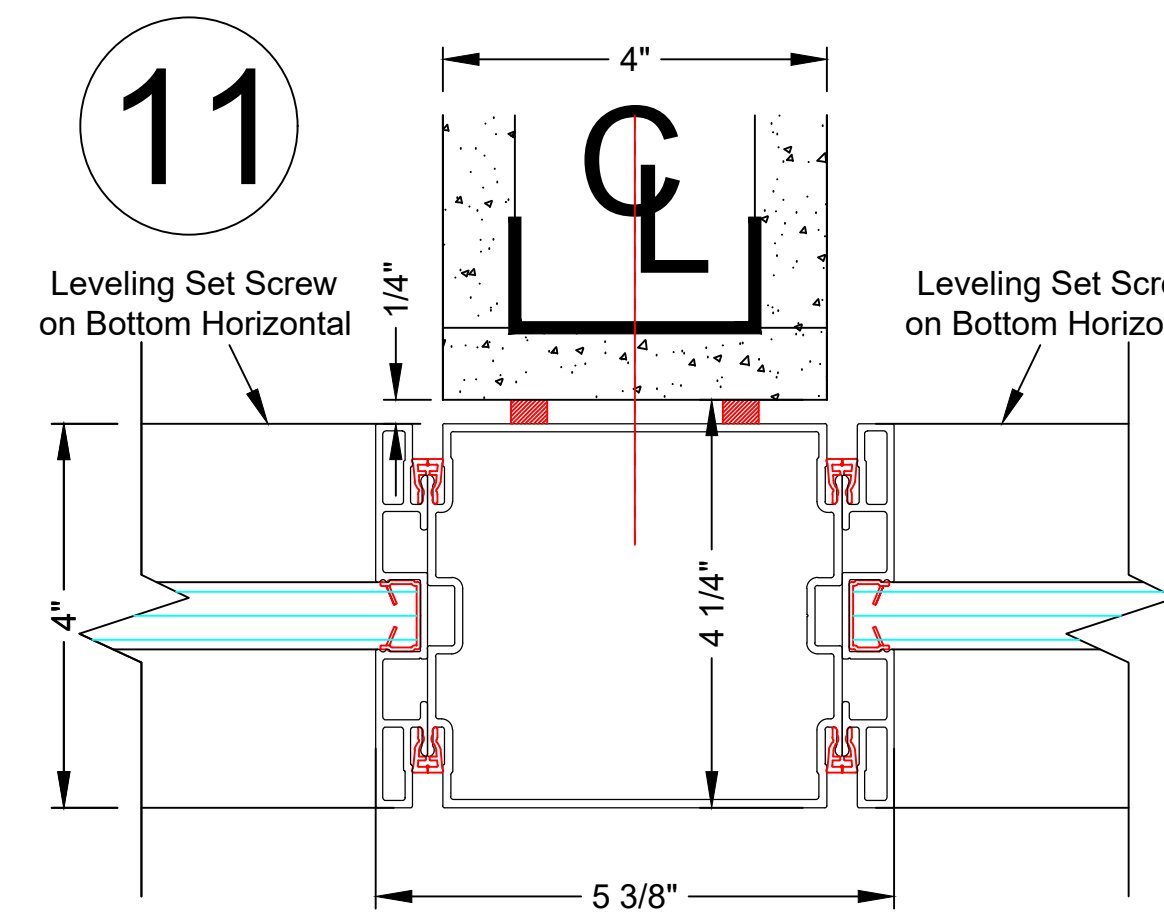
8B Butt Glazed 3-Way Connection



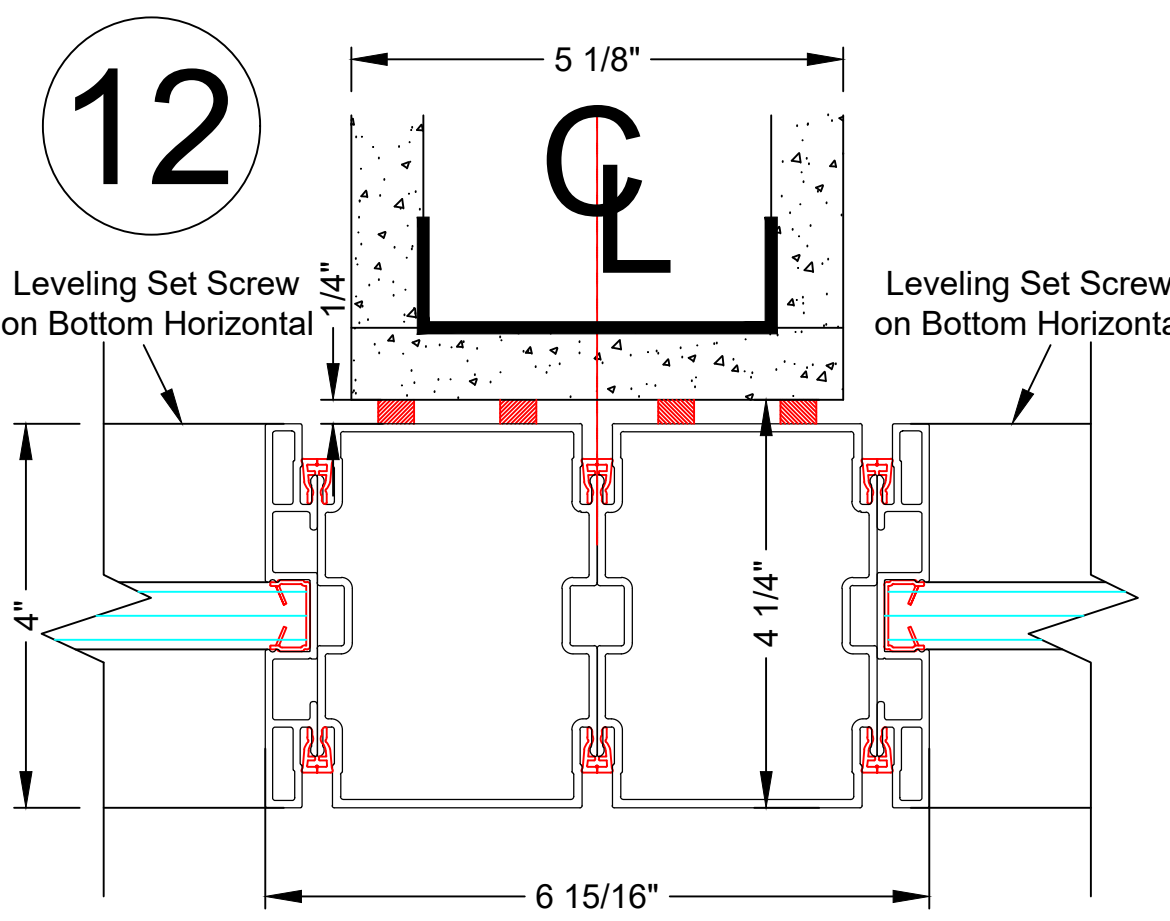
9 4-Way Connection



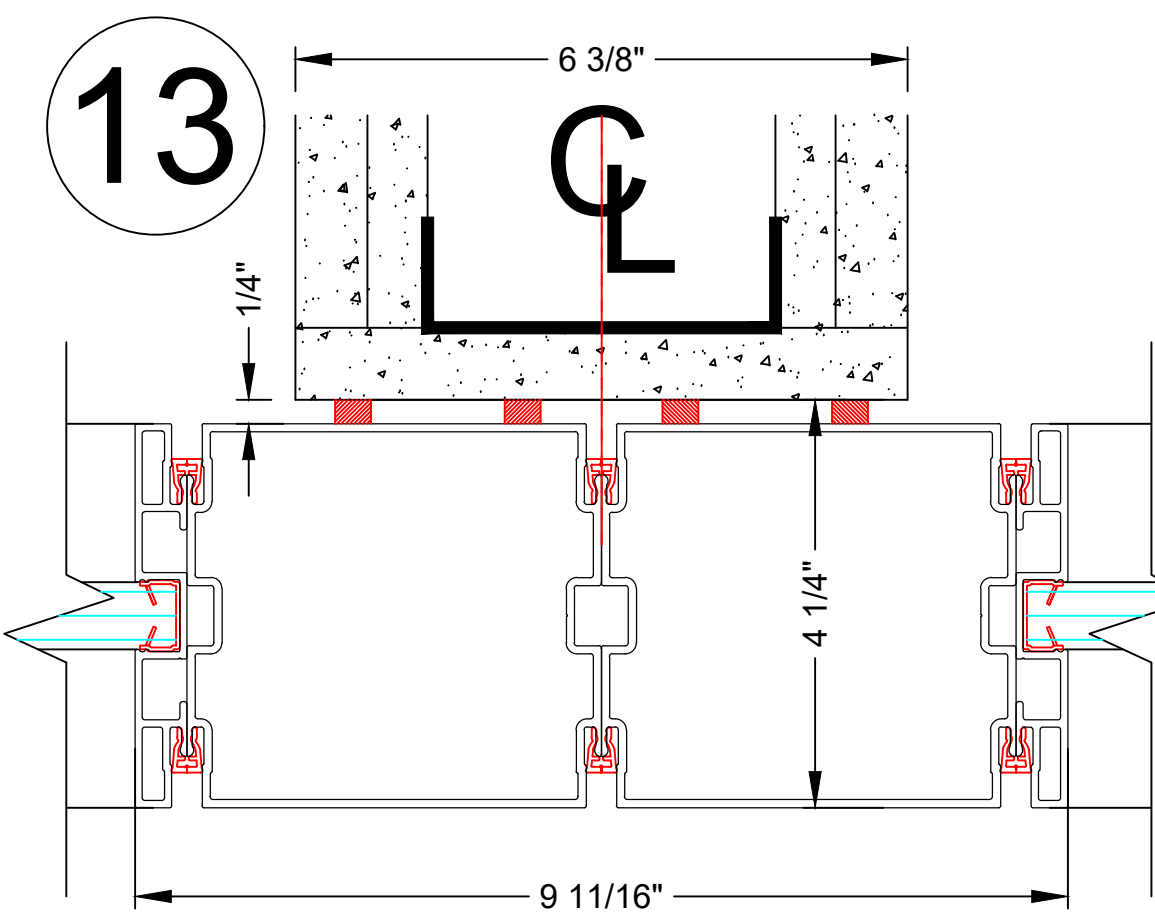
10 135 Degree Post



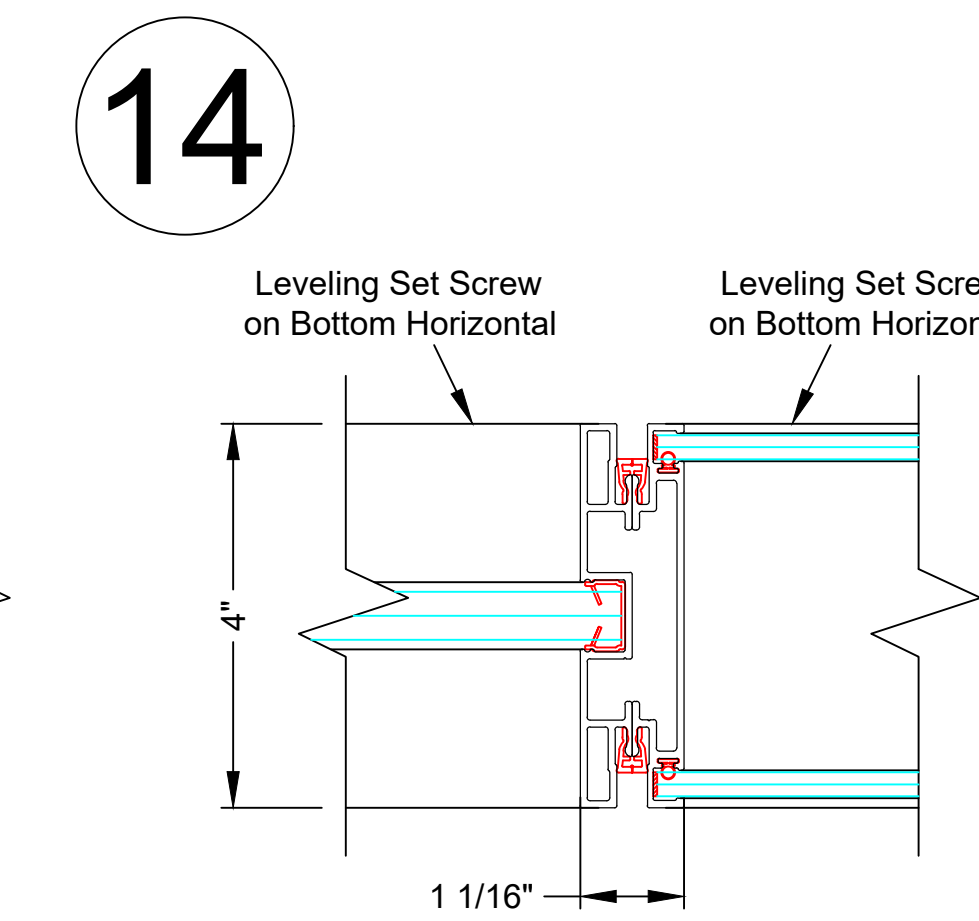
11 5" In-Line Post at 4" Drywall Bypass



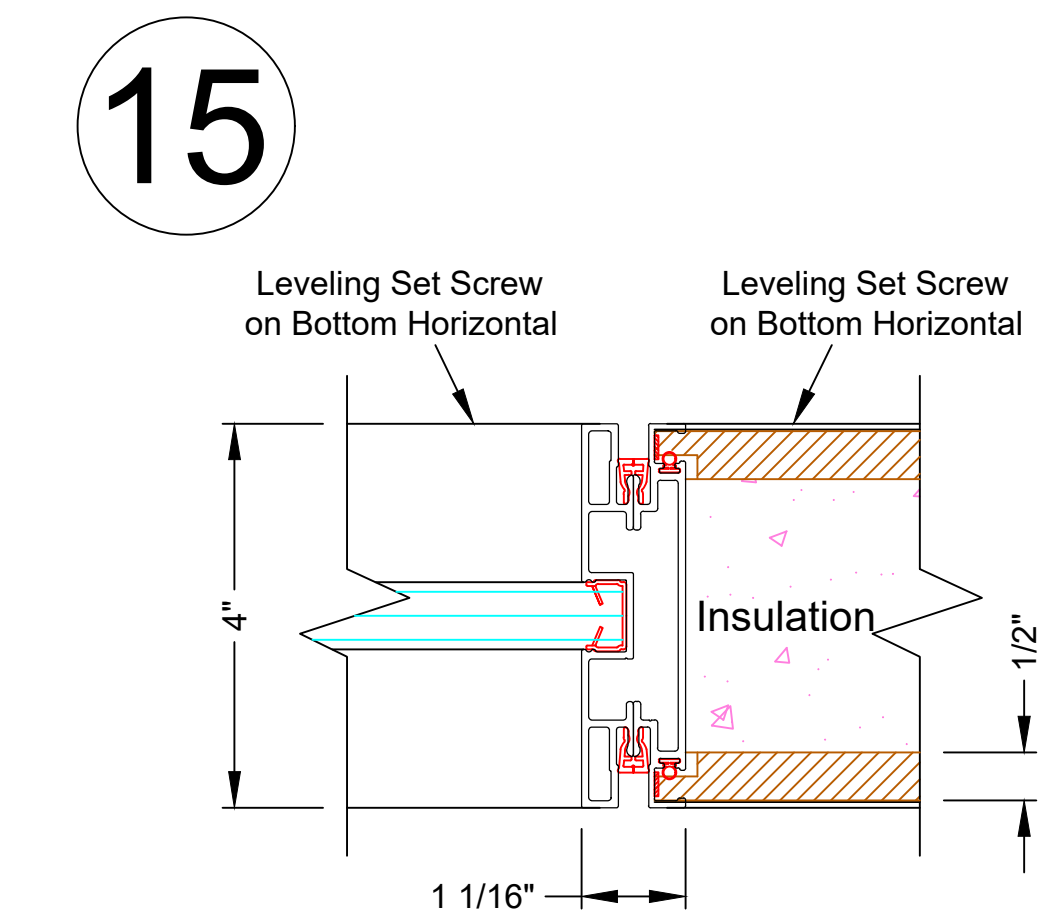
12 (2) 4" In-Line Posts at 5 1/8" Drywall Bypass



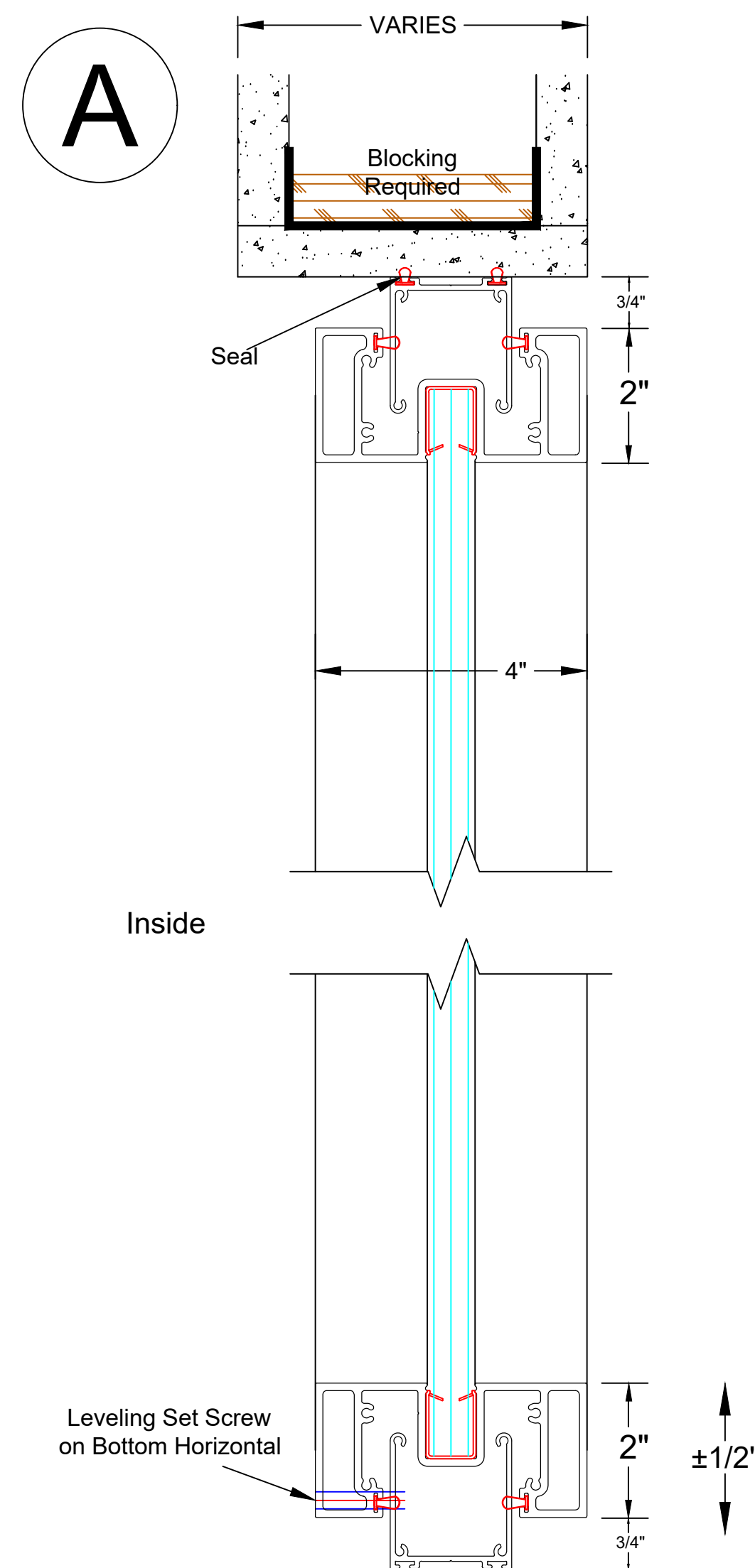
13 (2) 5" In-Line Posts at 6 3/8" Drywall Bypass



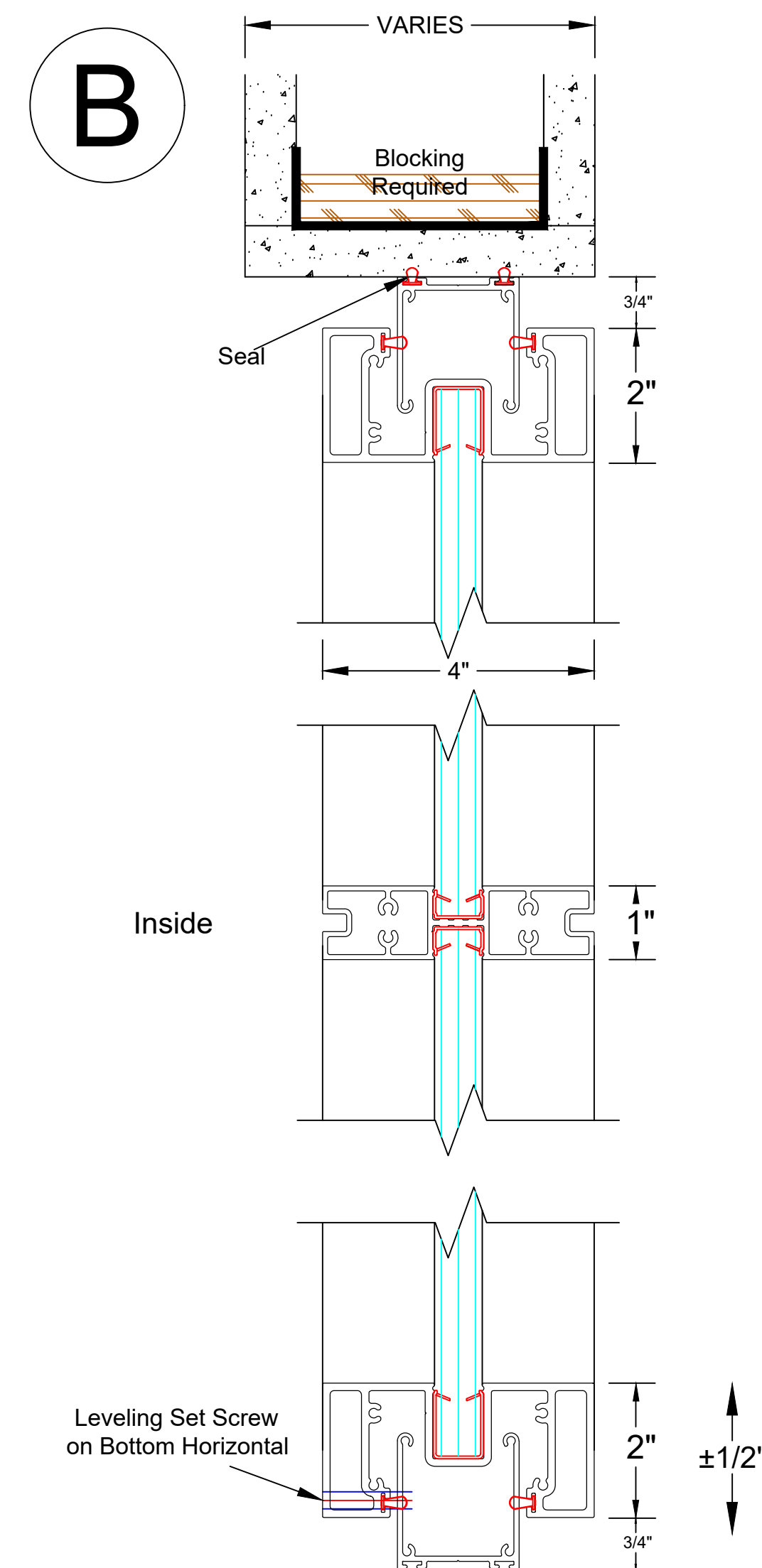
14 Single to Double Glazed Panel Connection



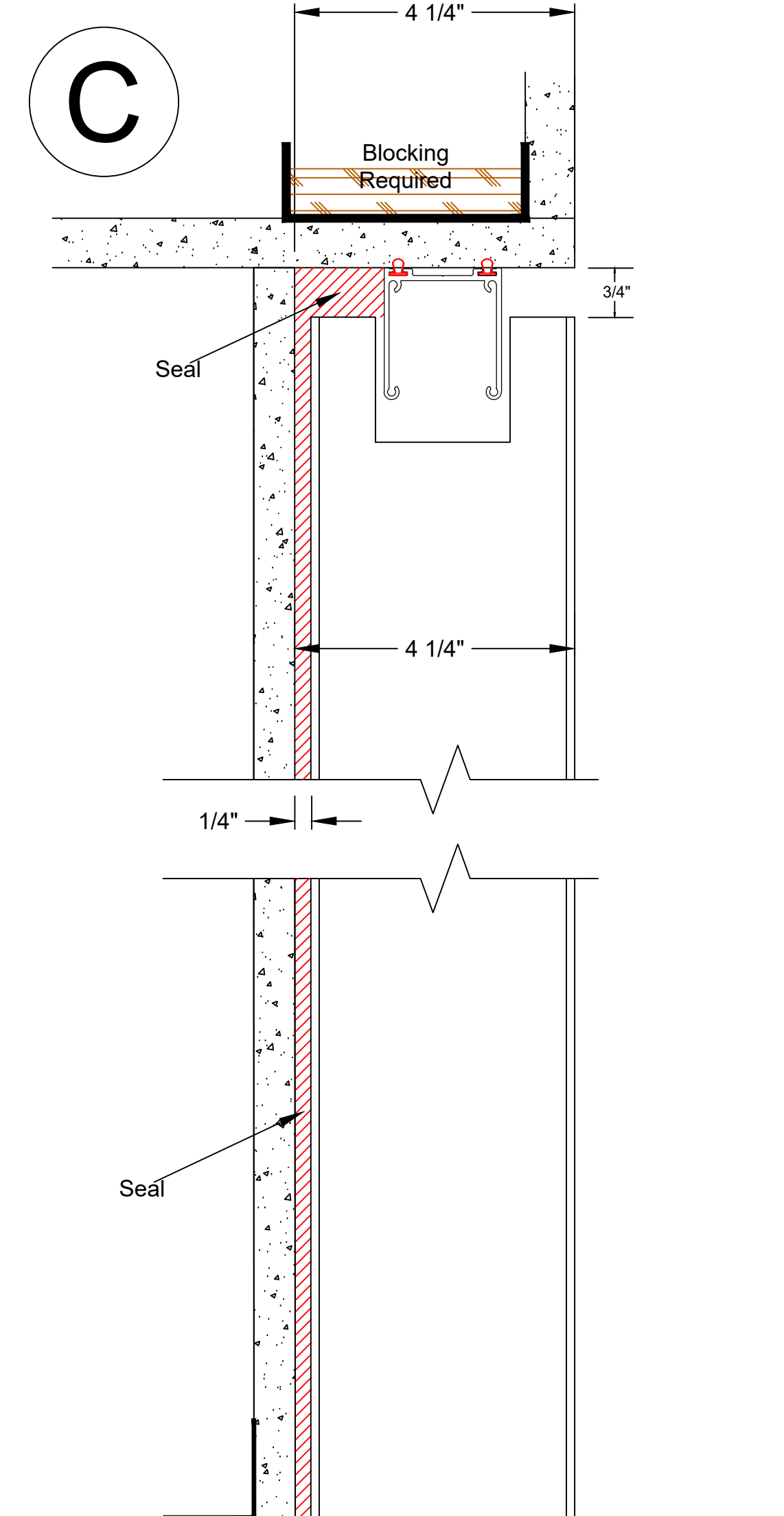
15 Single Glazed to Double Solid Panel Connection



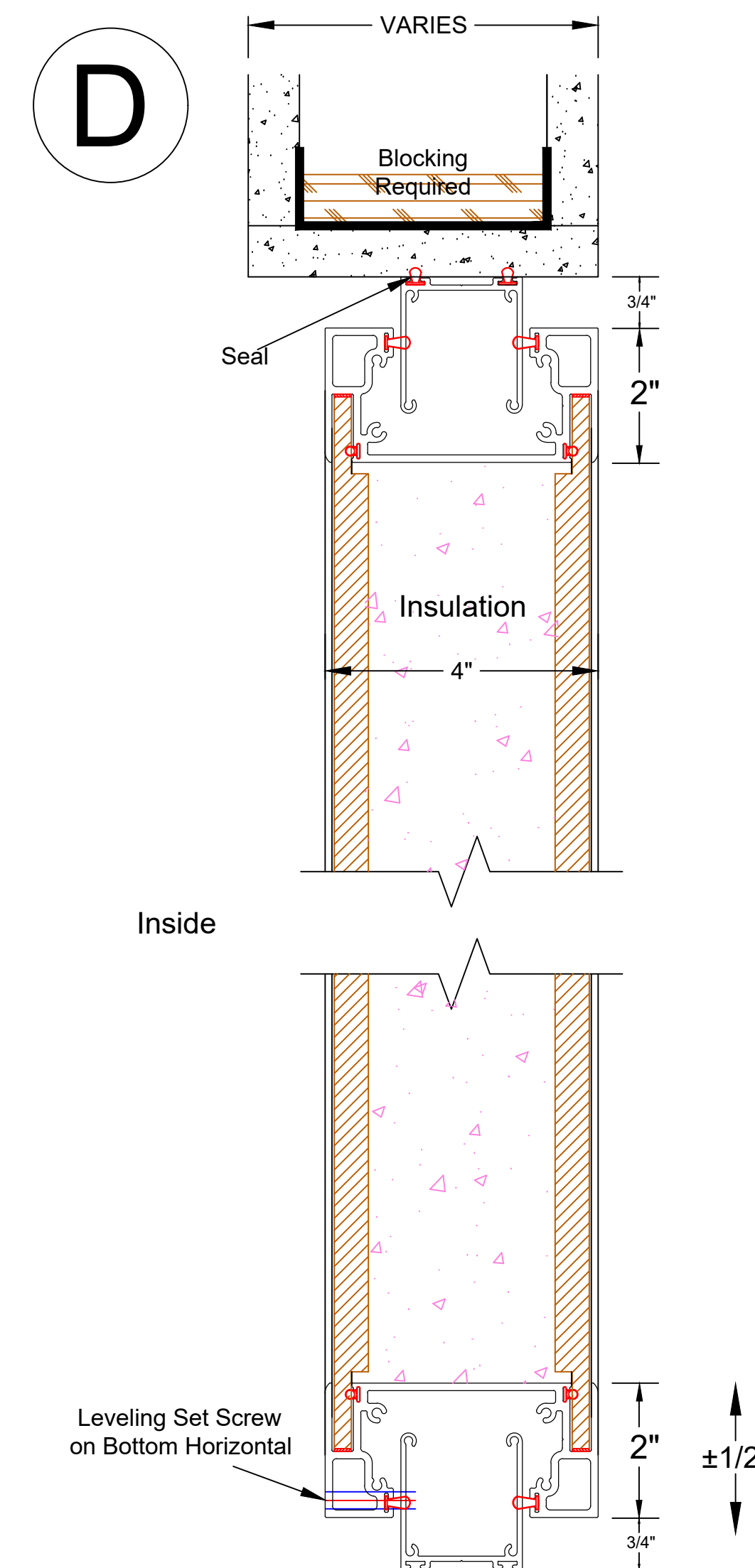
A Single Glazed Panel



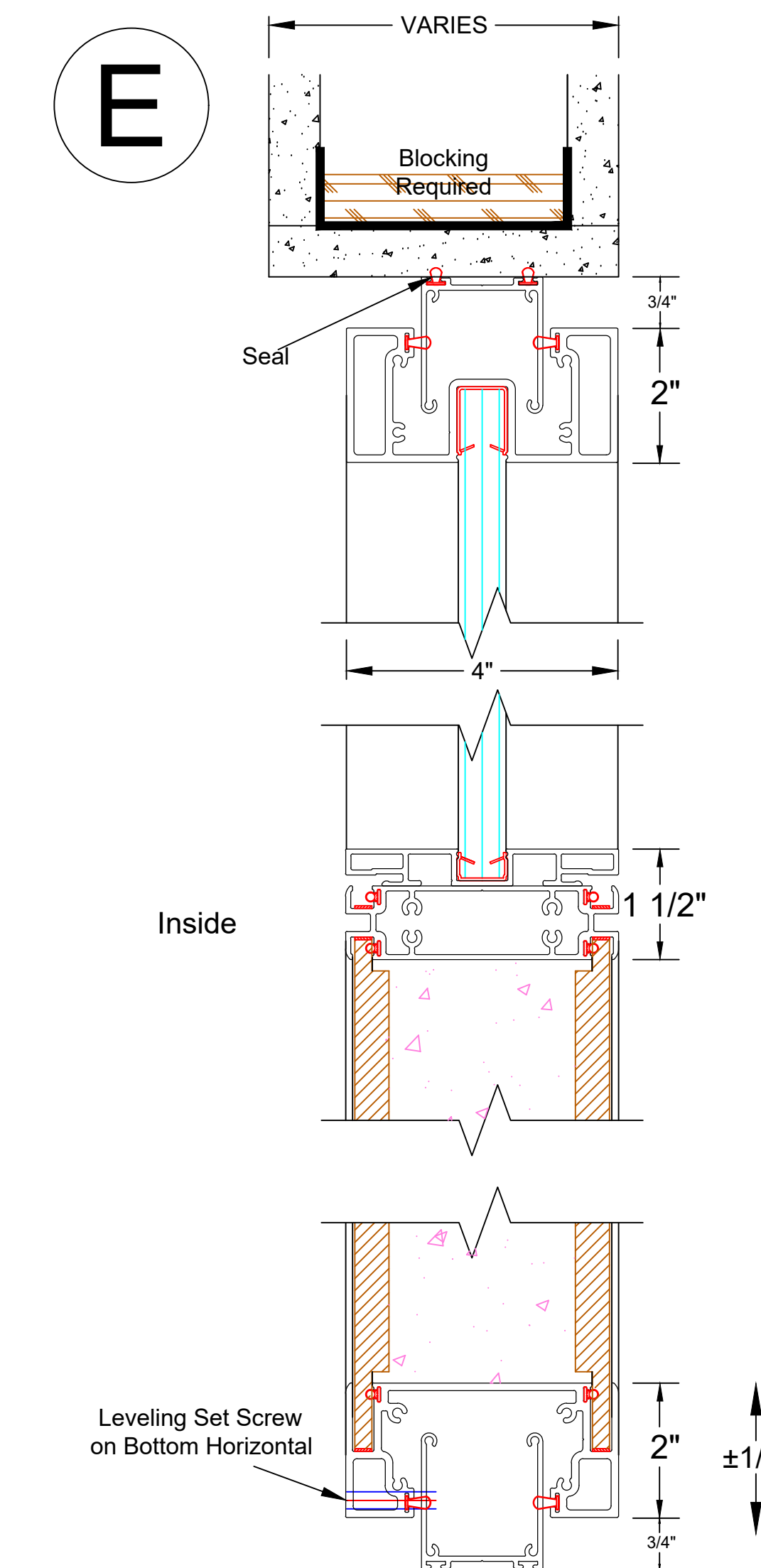
B Single Glazed Panel with Transom



C Post Condition @ Drywall Return



D Double Solid Panel



E Double Solid Panel with Glass Transom

Note : System shown flush to corridor side of soffit and sheetrock wall. System can also be setback or centered if so desired. Blocking required either way.

This Document is the property and copyright of Infinium Architectural Wall Systems, Inc. and shall not be reproduced without the written consent of Infinium Architectural Wall Systems, Inc. The drawing to be used for evaluation, bidding or construction includes only and should not be used for building construction.

NO. DATE ISSUE/REVISION
CURRENT REVISION

0

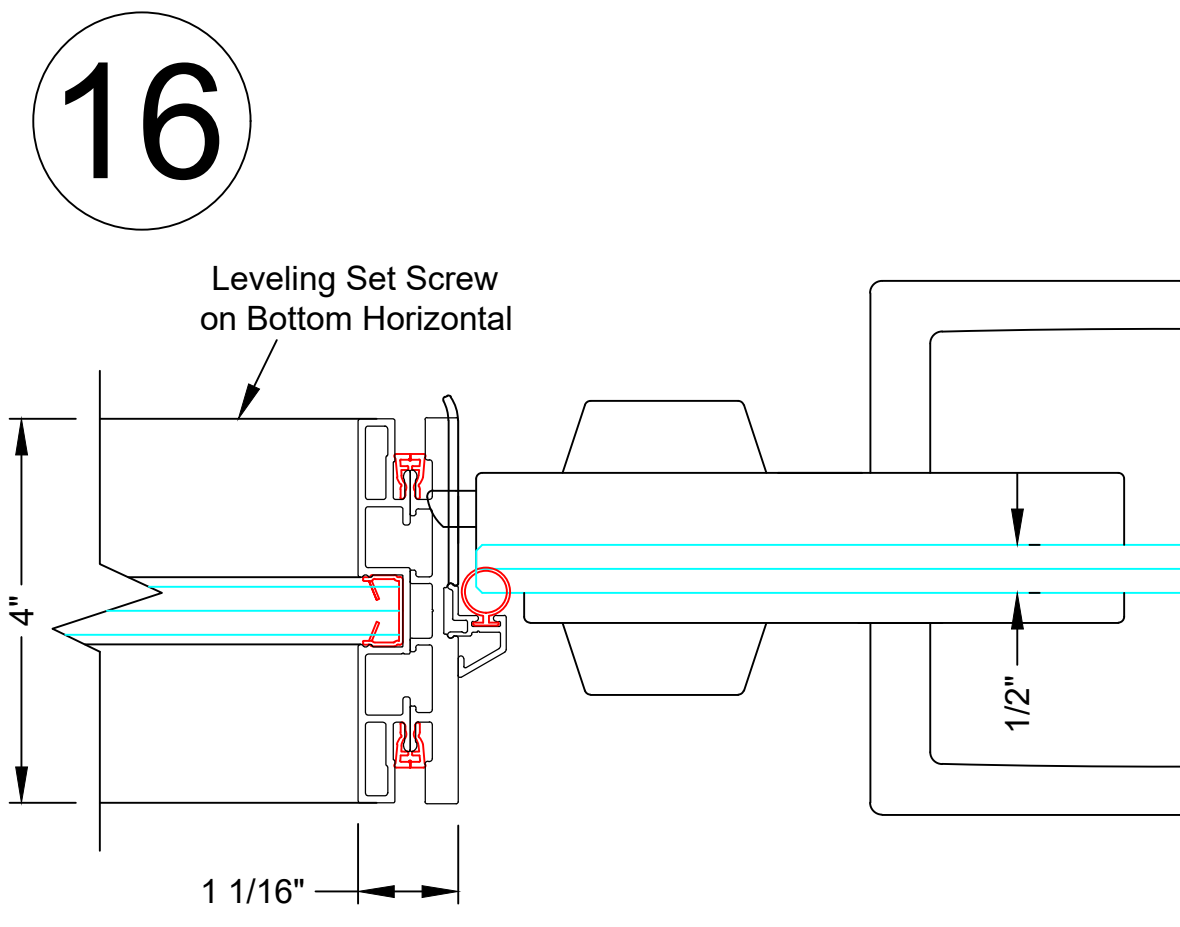
DRAWING TITLE

DATE: December 2020
SCALE: 6" = 1'-0"
DRAWING REFERENCE:
PROJECT NO.:
PROJECT LEADER:
CAD DRAFTER:
CHECKED BY:
CAD FILE NAME:

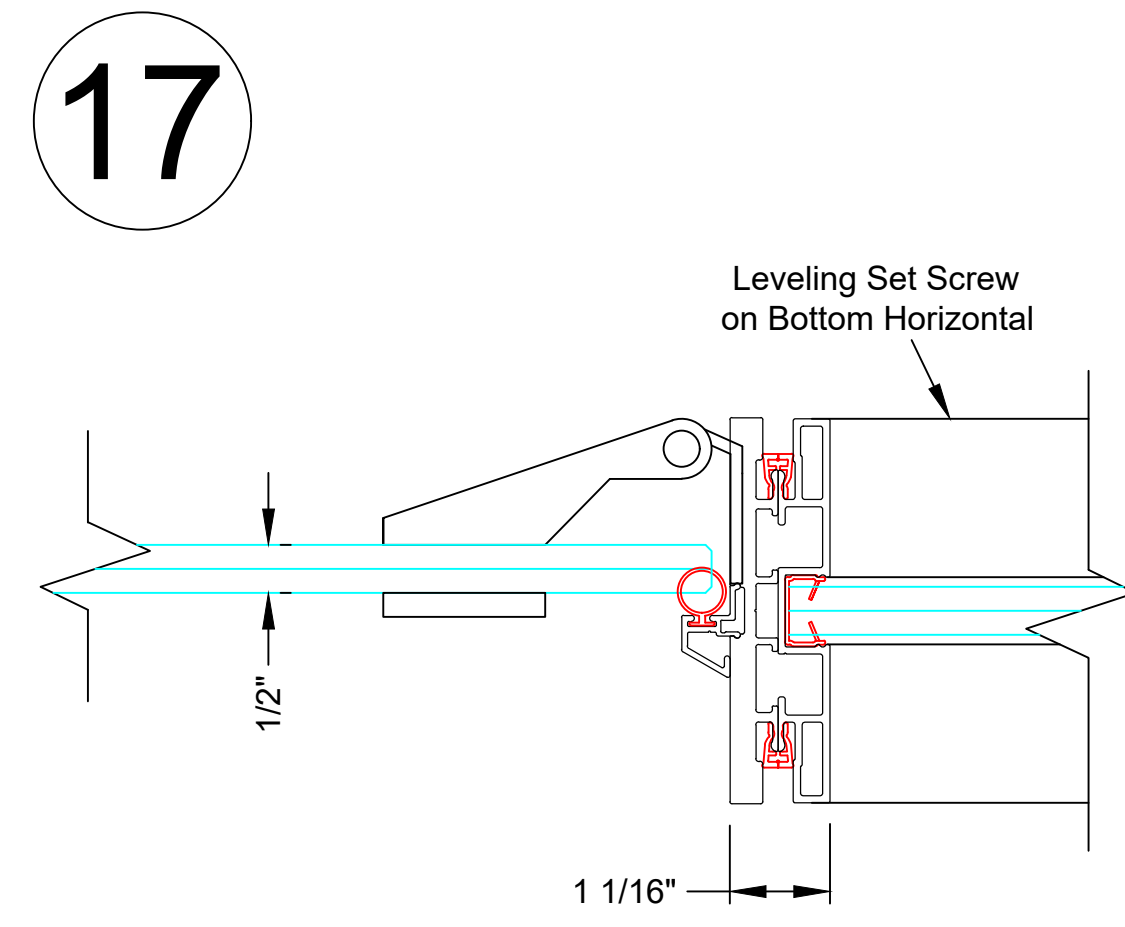
DRAWING NO.

2

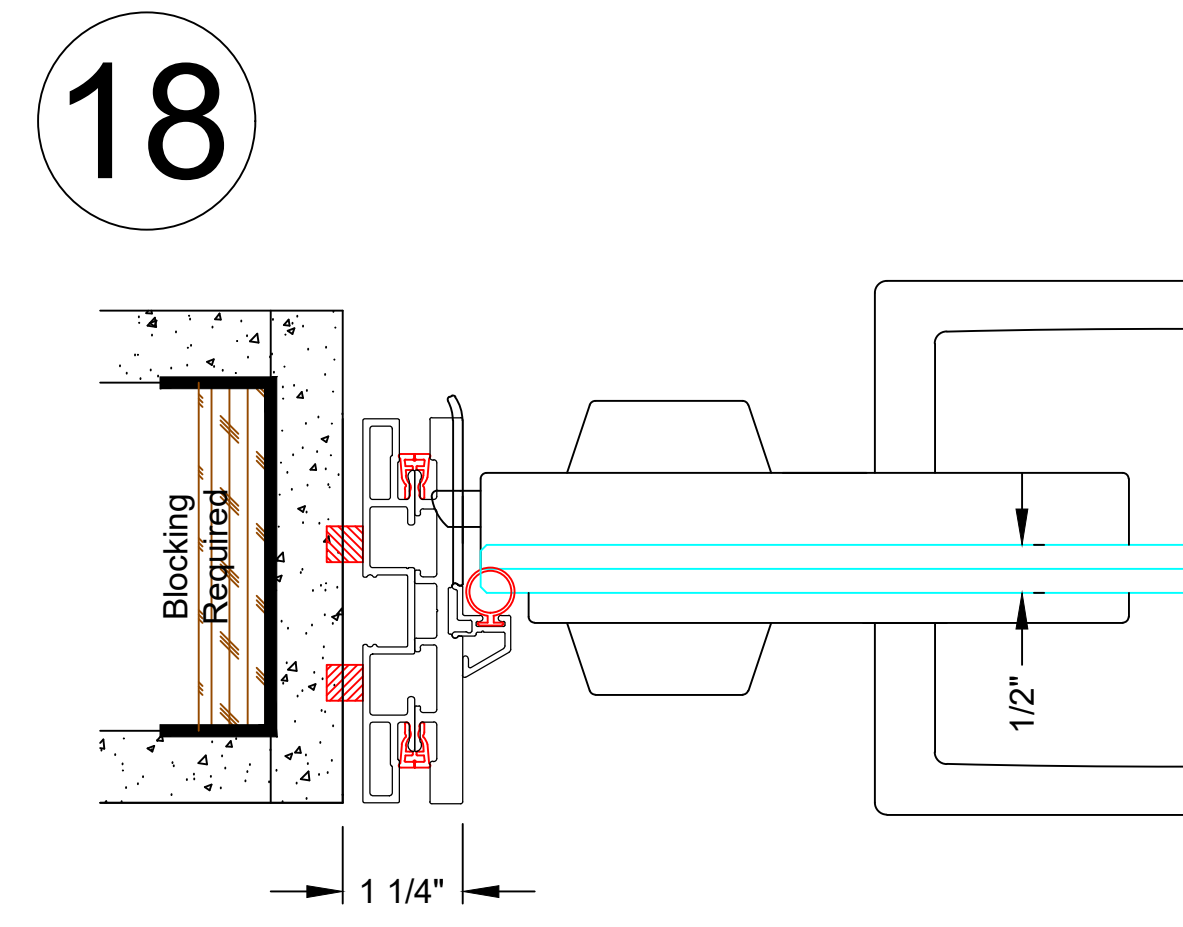
SHEET NO.



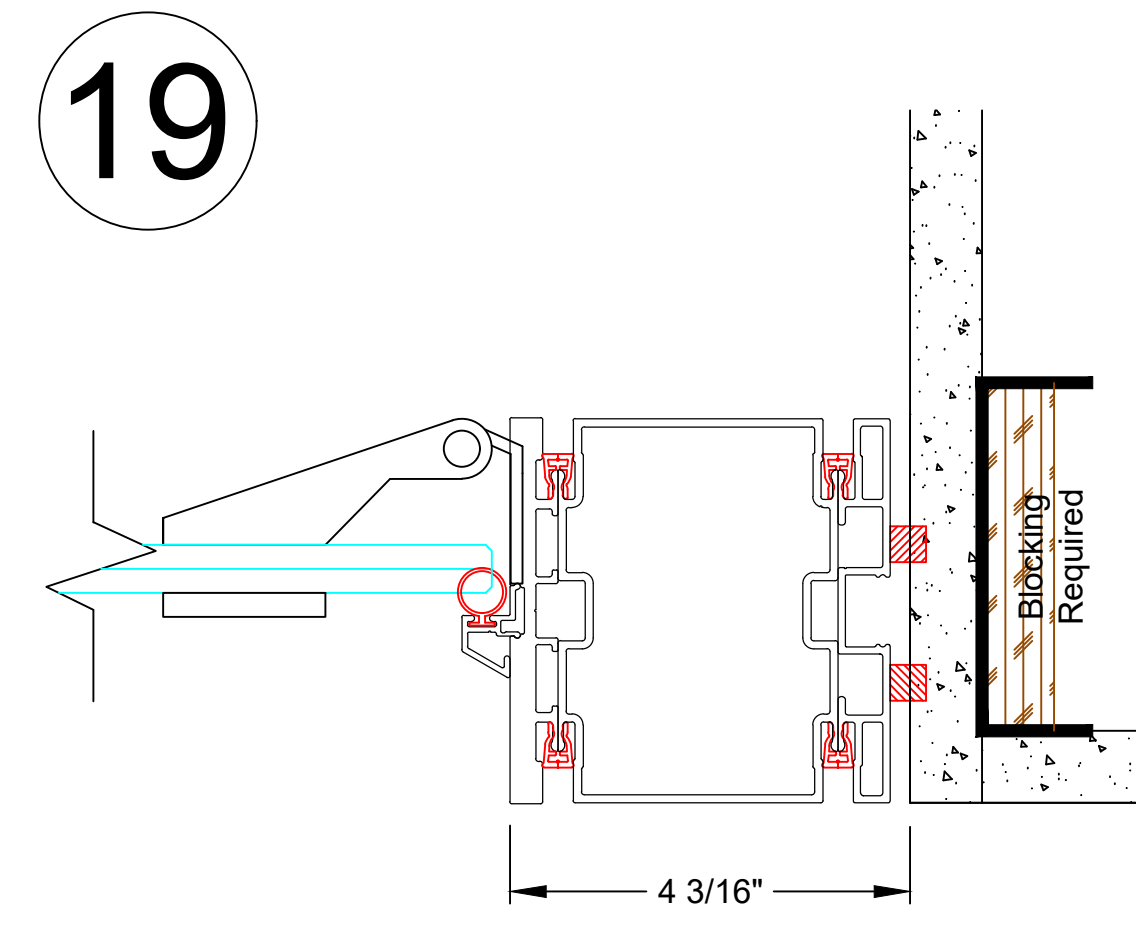
16
Panel to DF Keeper
Glass Hinged Door



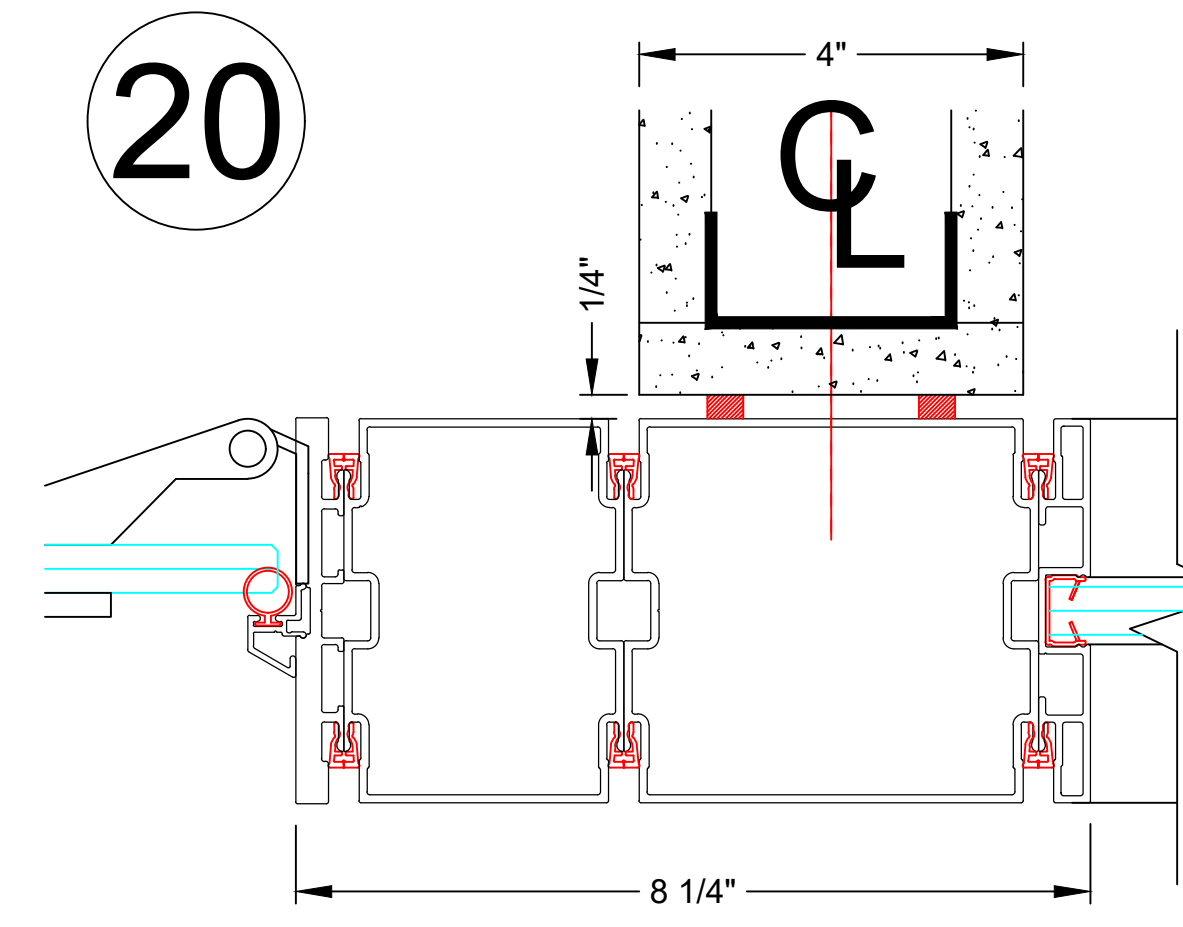
17
Panel to DF Hinge
Glass Hinged Door



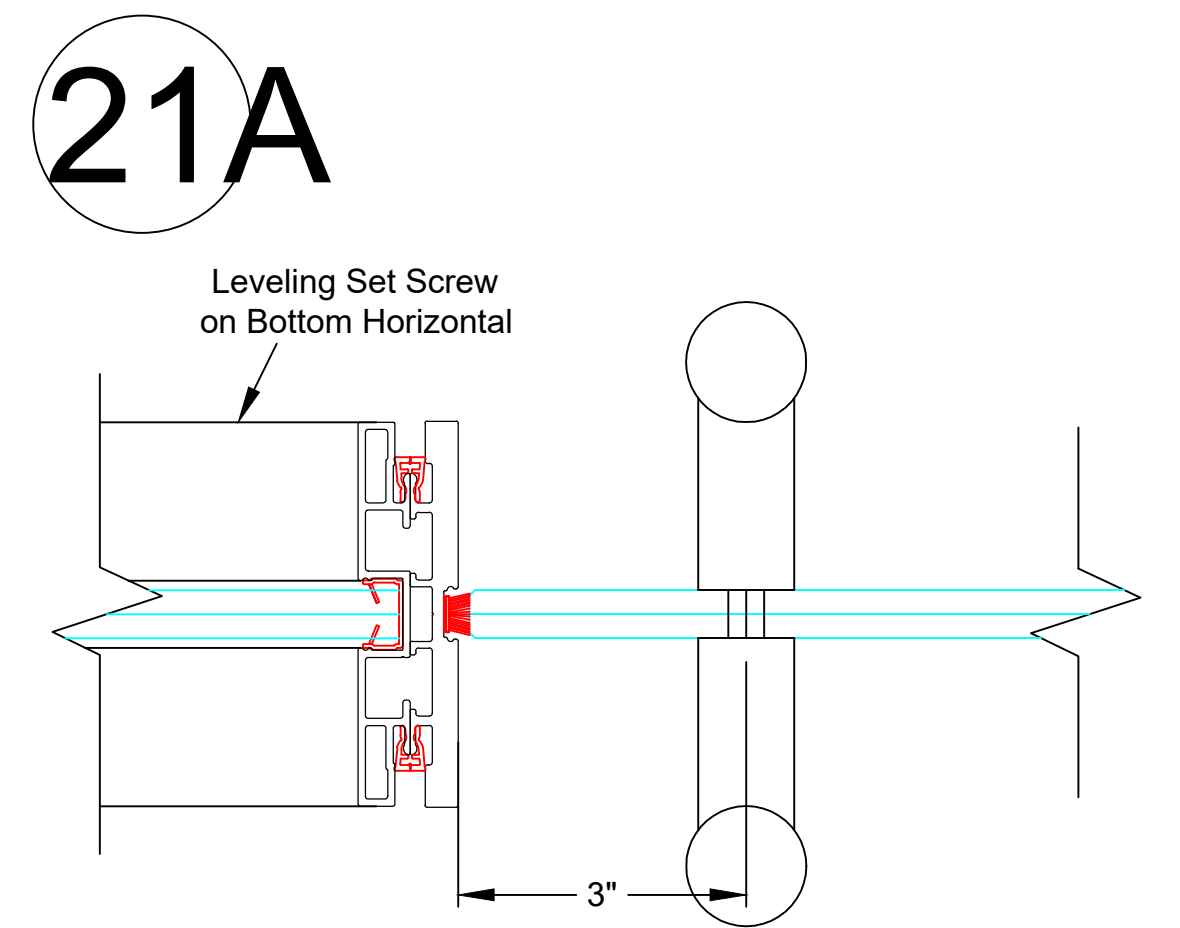
18
DF Keeper at Flush Start
Glass Hinged Door



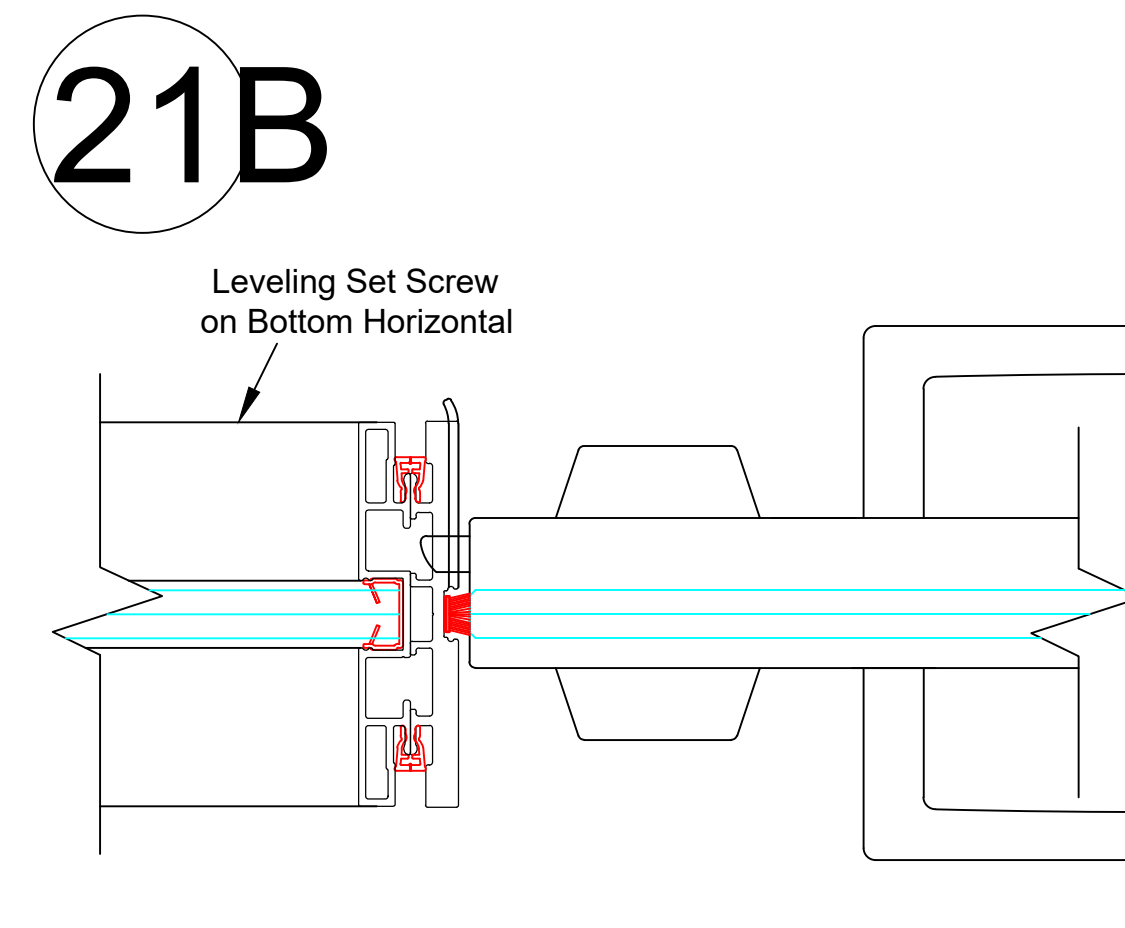
19
DF Hinge at Flush Start
Glass Hinged Door



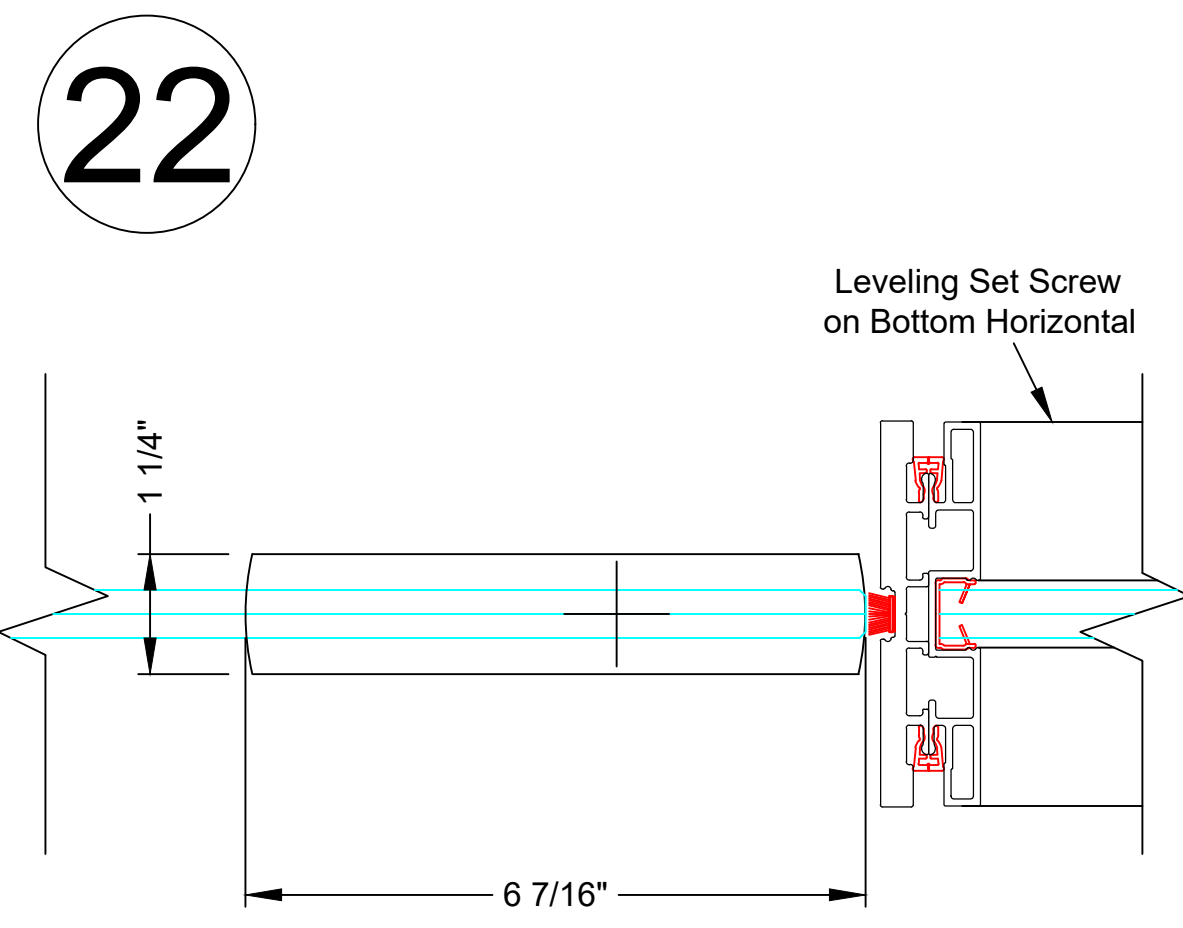
20
DF Hinge at 4" Bypass
Glass Hinged Door



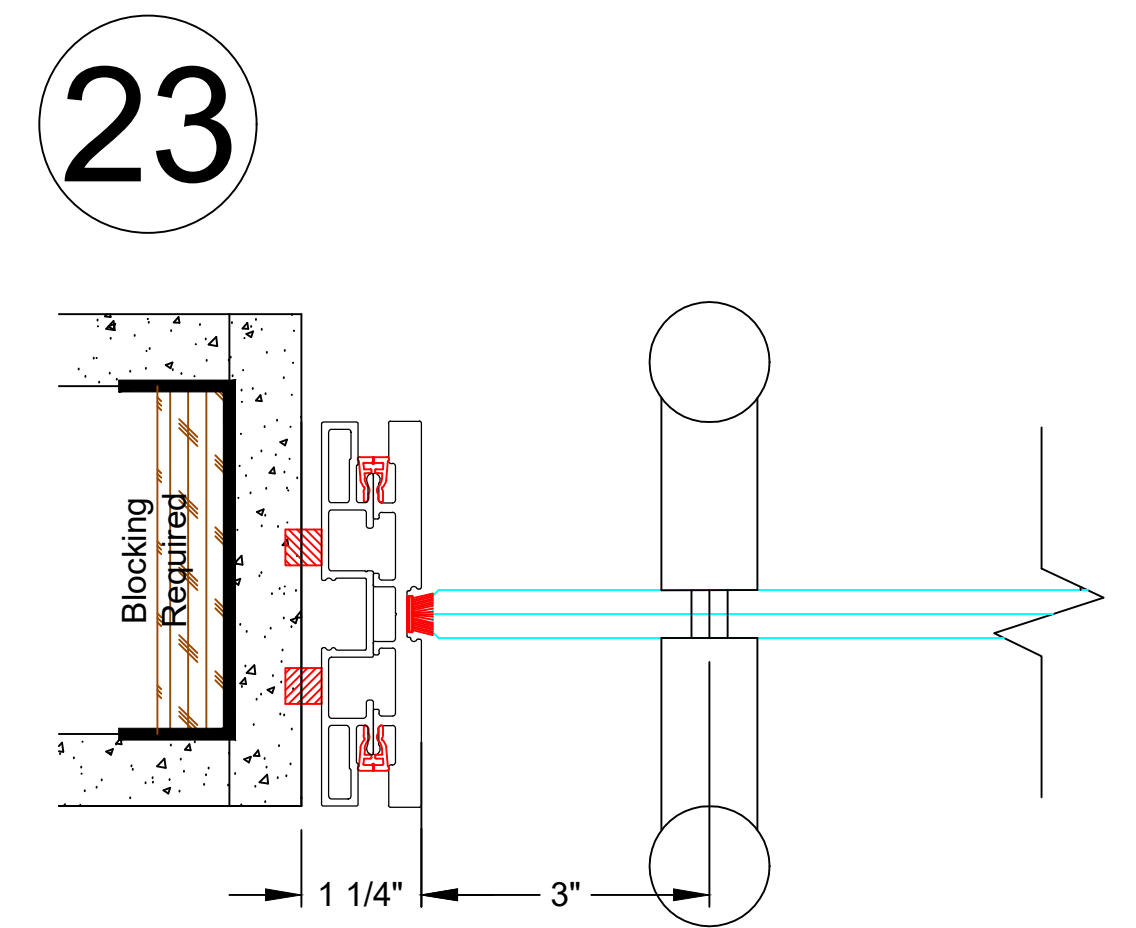
21A
Panel to DF Keeper
Glass Pivot Door



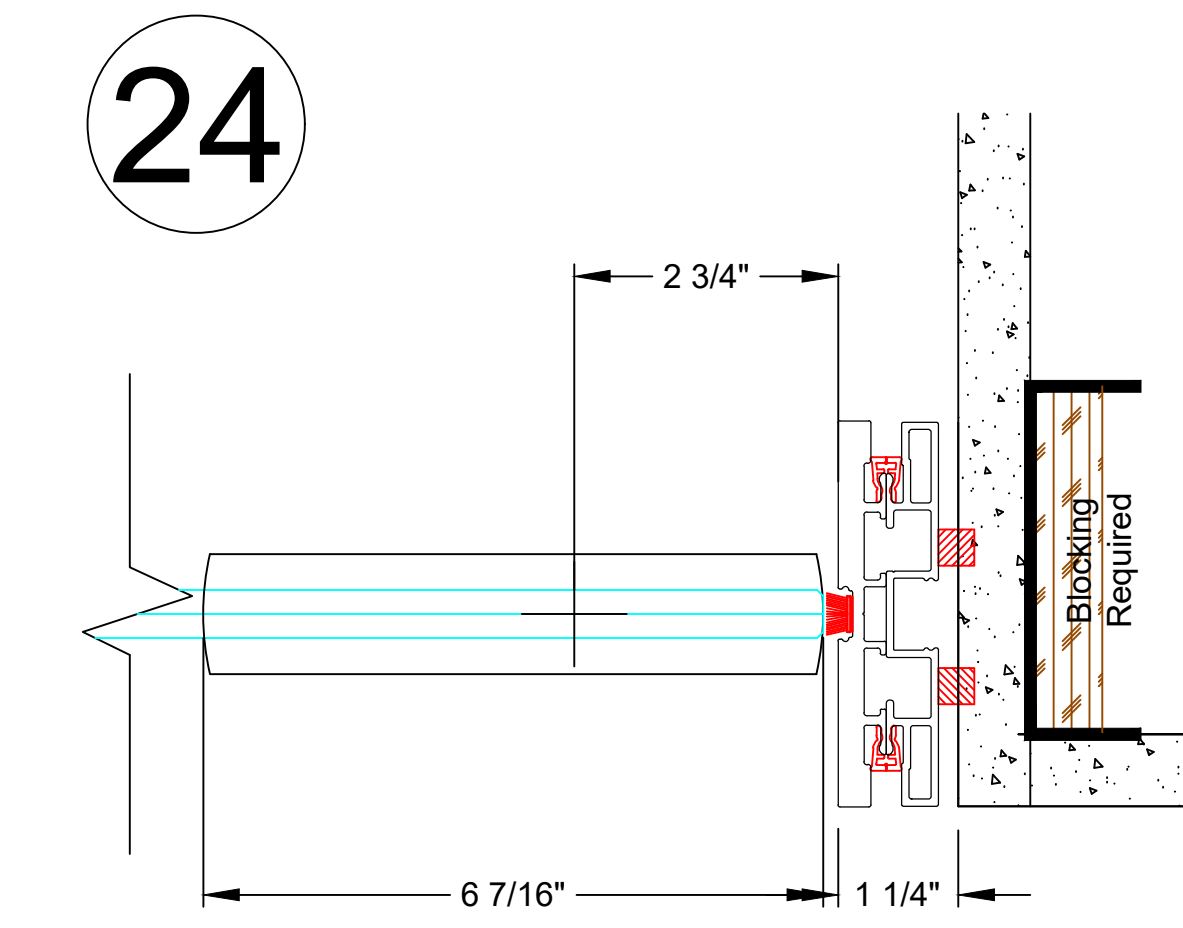
21B
Panel to DF Keeper
Glass Pivot Door



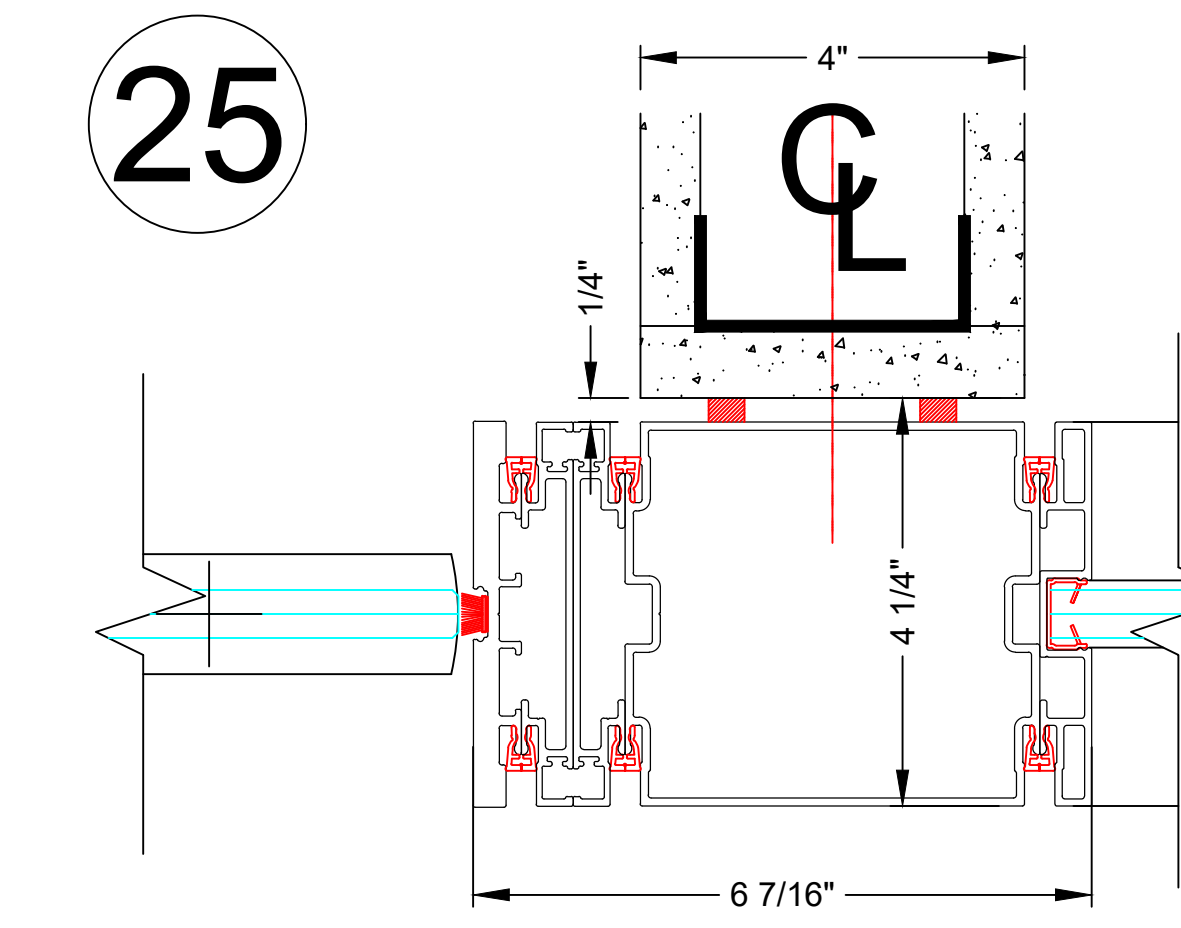
22
Panel to DF Pivot
Glass Pivot Door



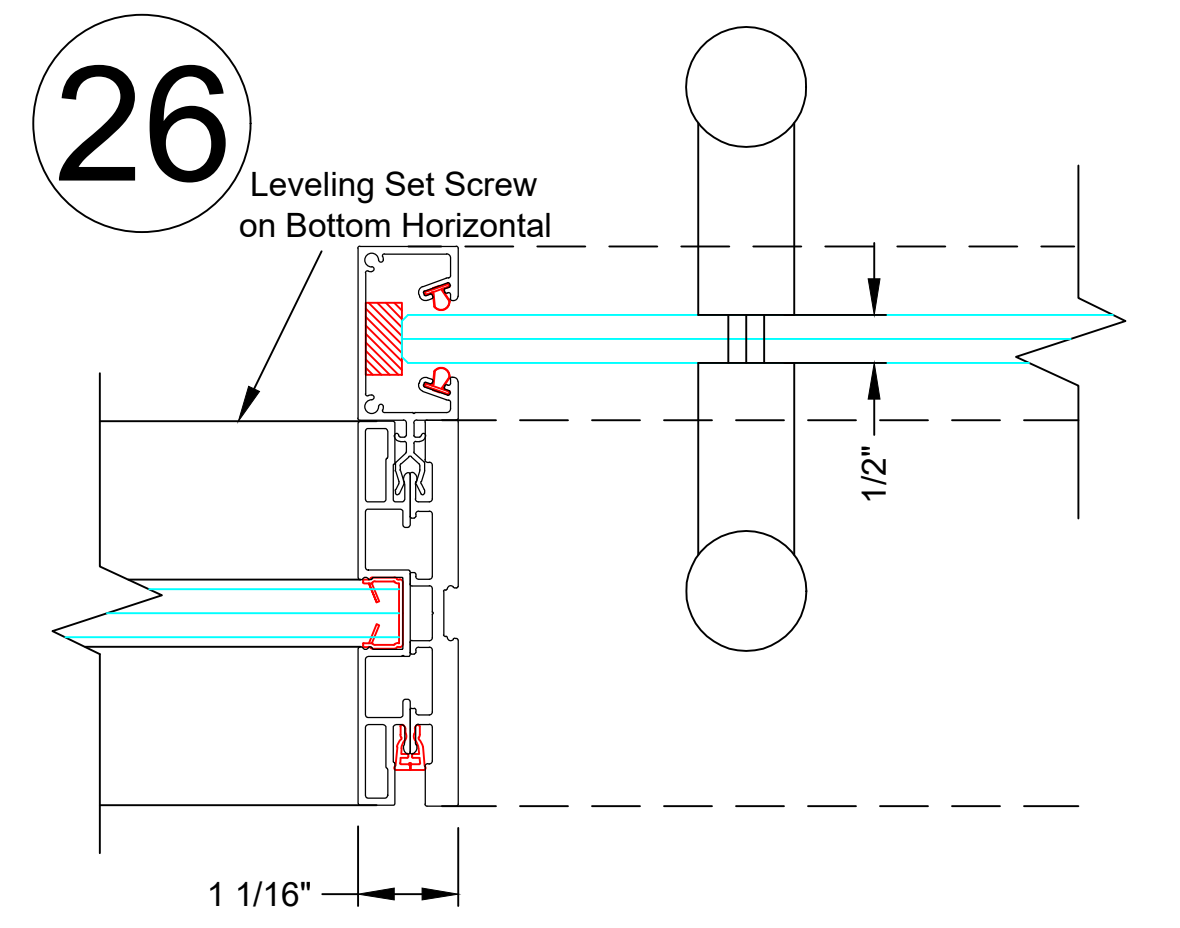
23
DF Keeper at Flush Start
Glass Pivot Door



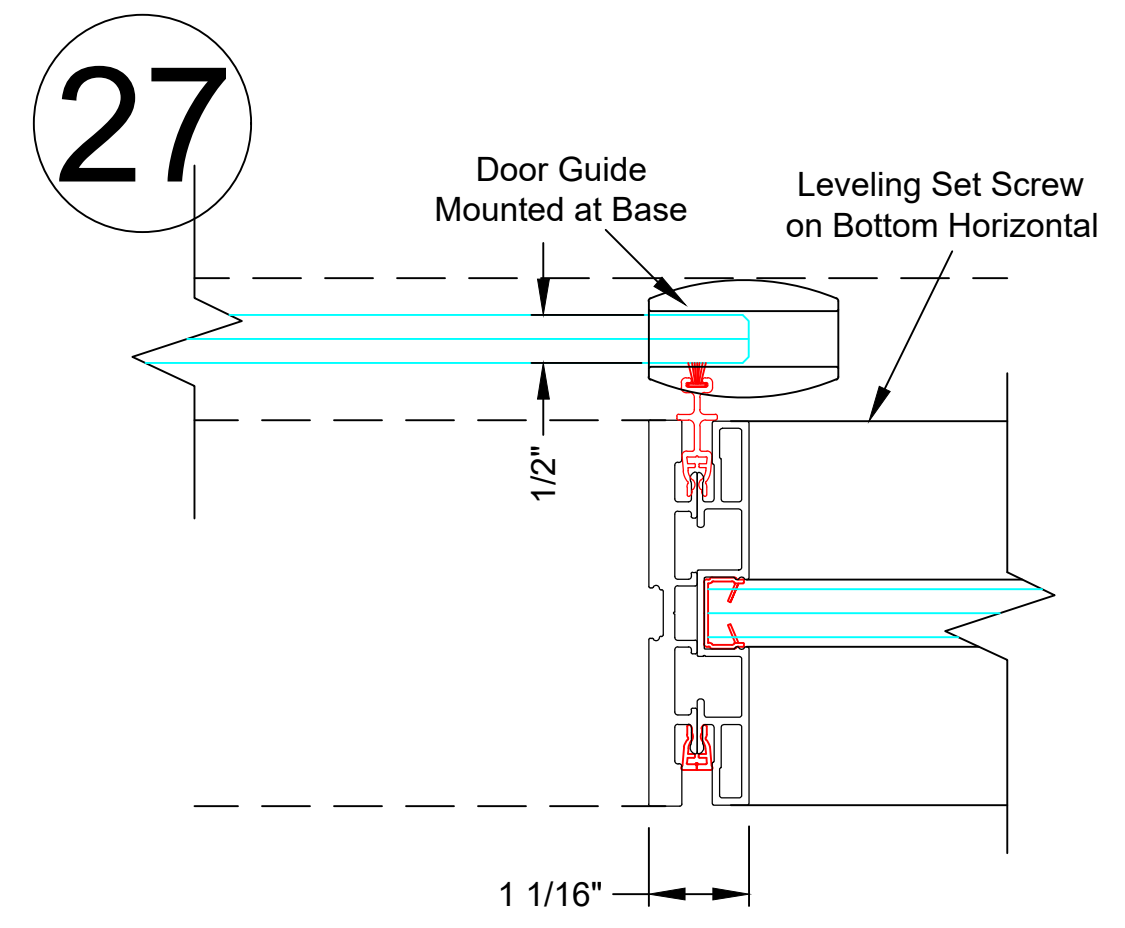
24
DF Pivot at Flush Start
Glass Pivot Door



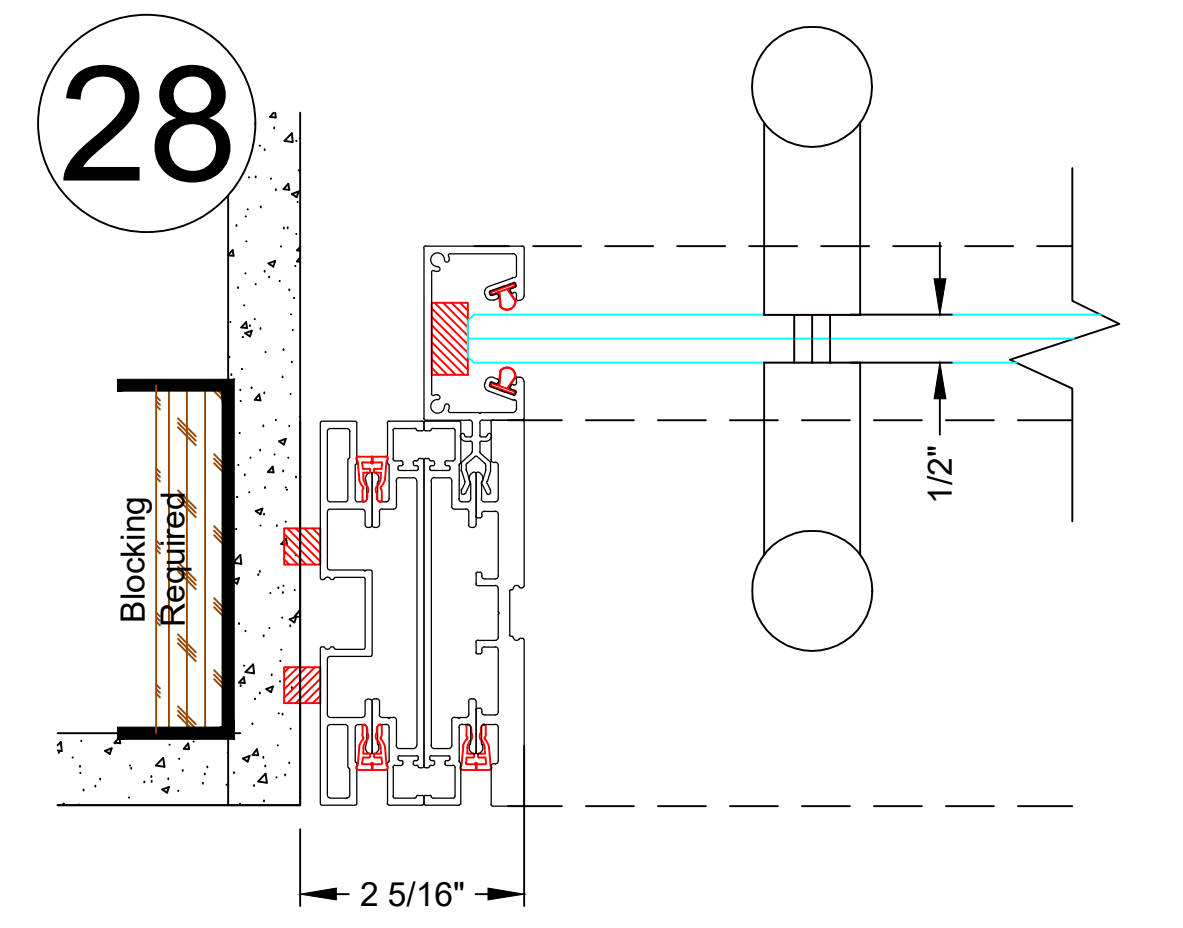
25
DF Pivot at 4" Bypass
Glass Pivot Door



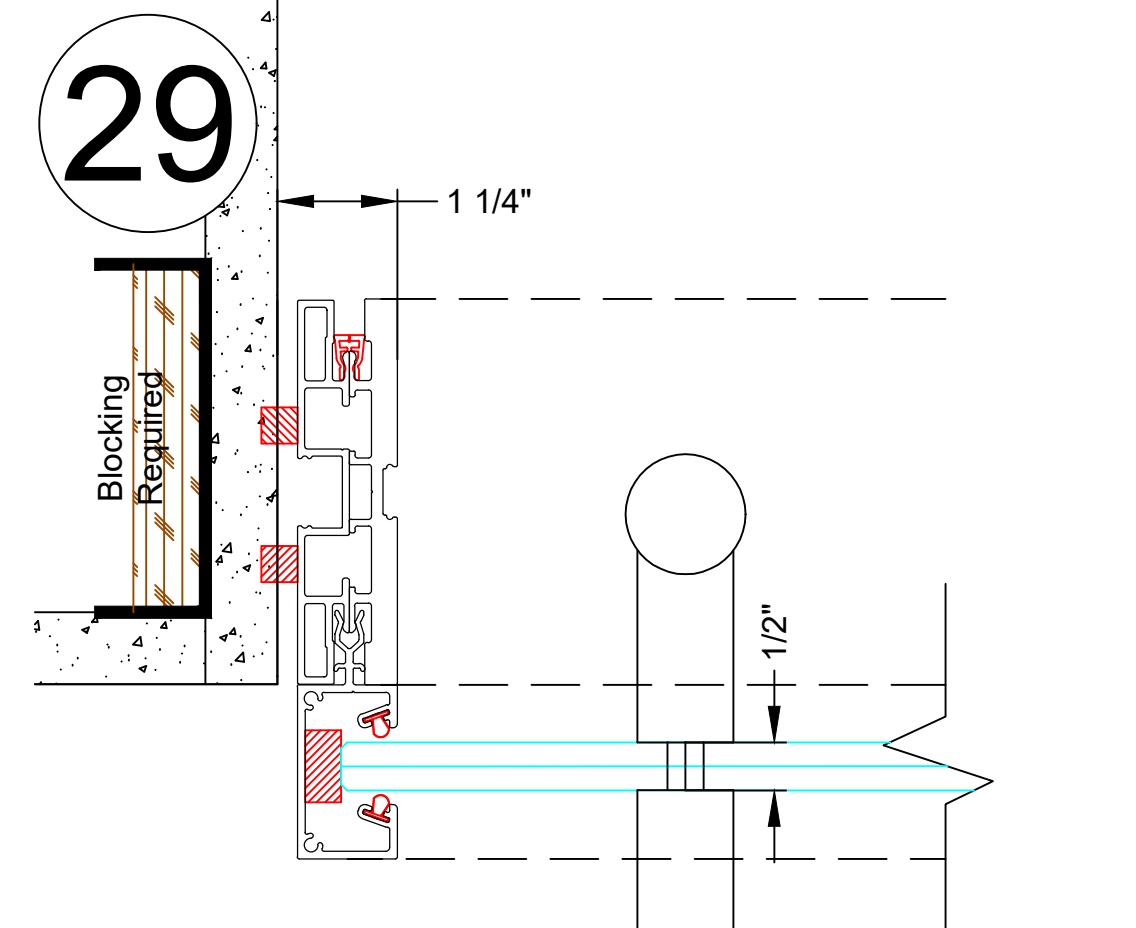
26
Panel to DF Receiver
Glass Sliding Door



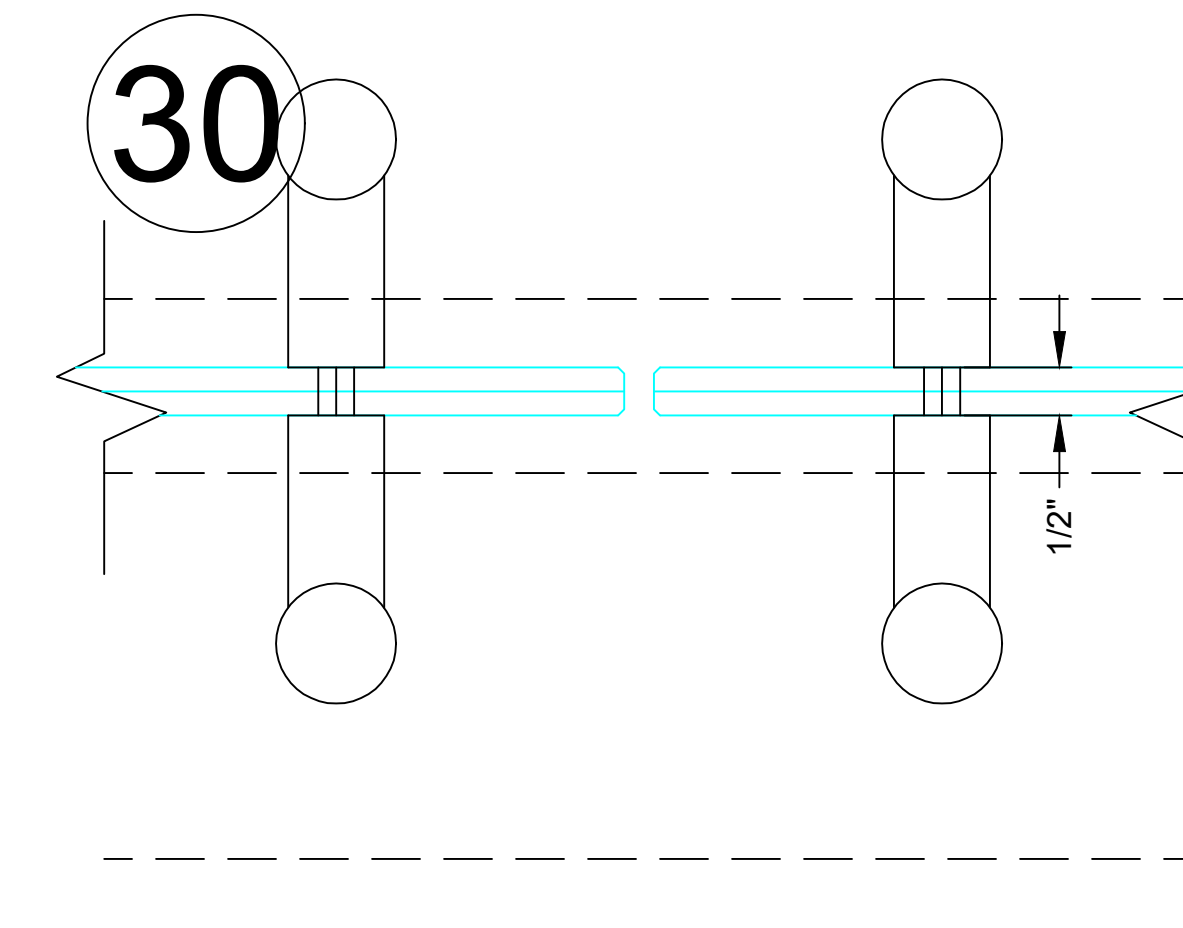
27
Panel to DF Seal
Glass Sliding Door



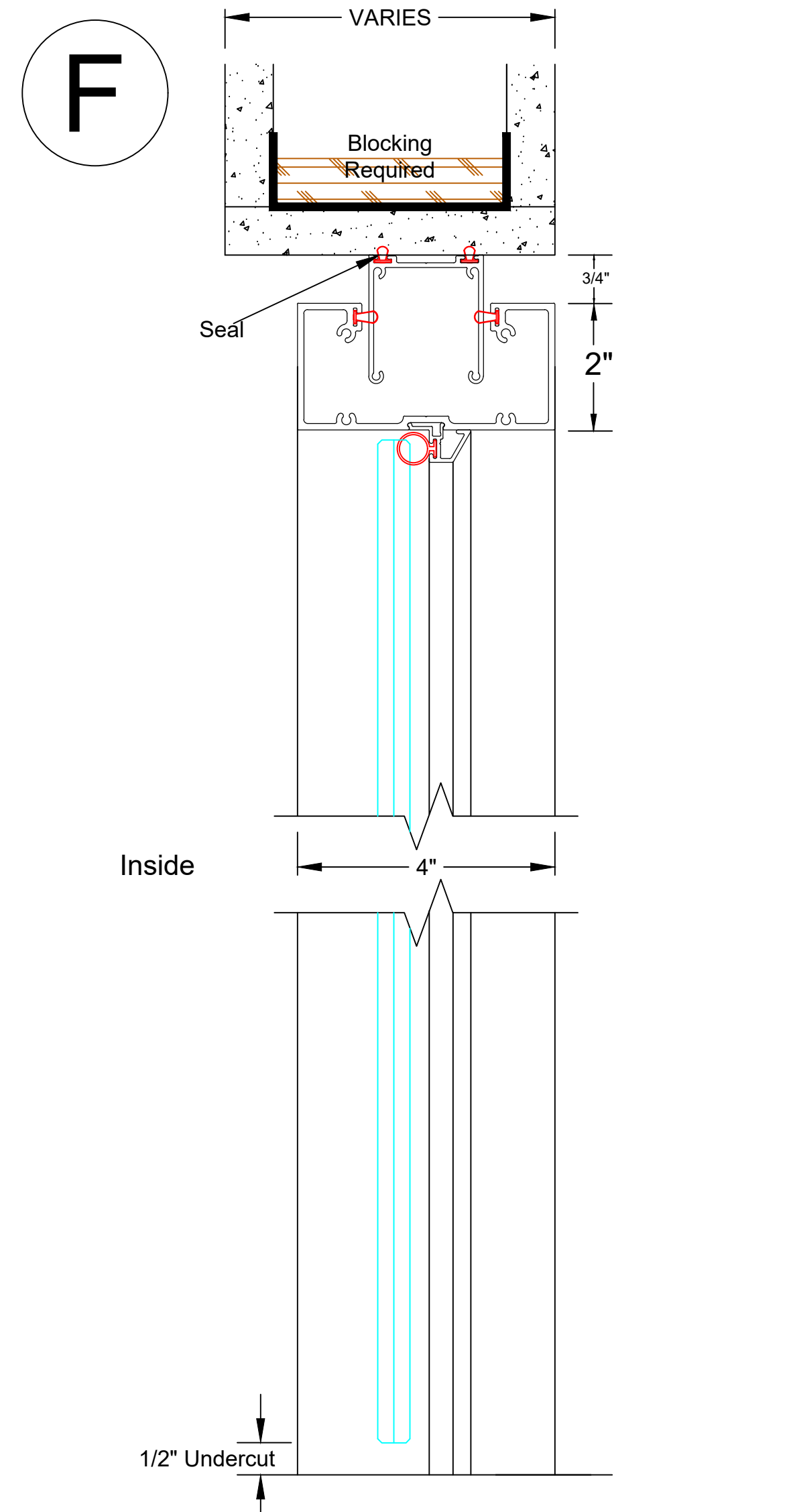
28
Receiver at Flush Start
Glass Sliding Door



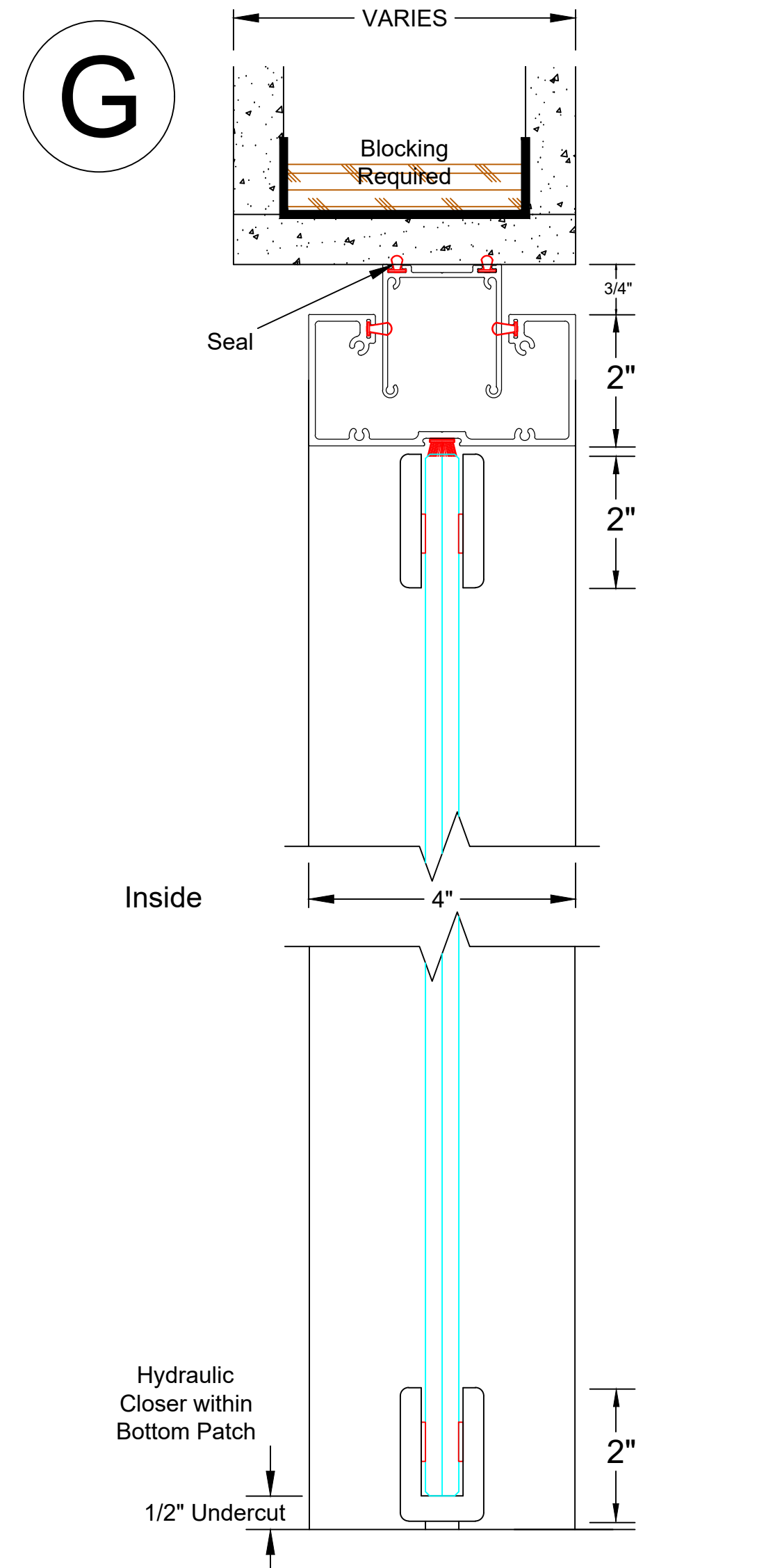
29
Receiver at Flush Start
Glass Sliding Door



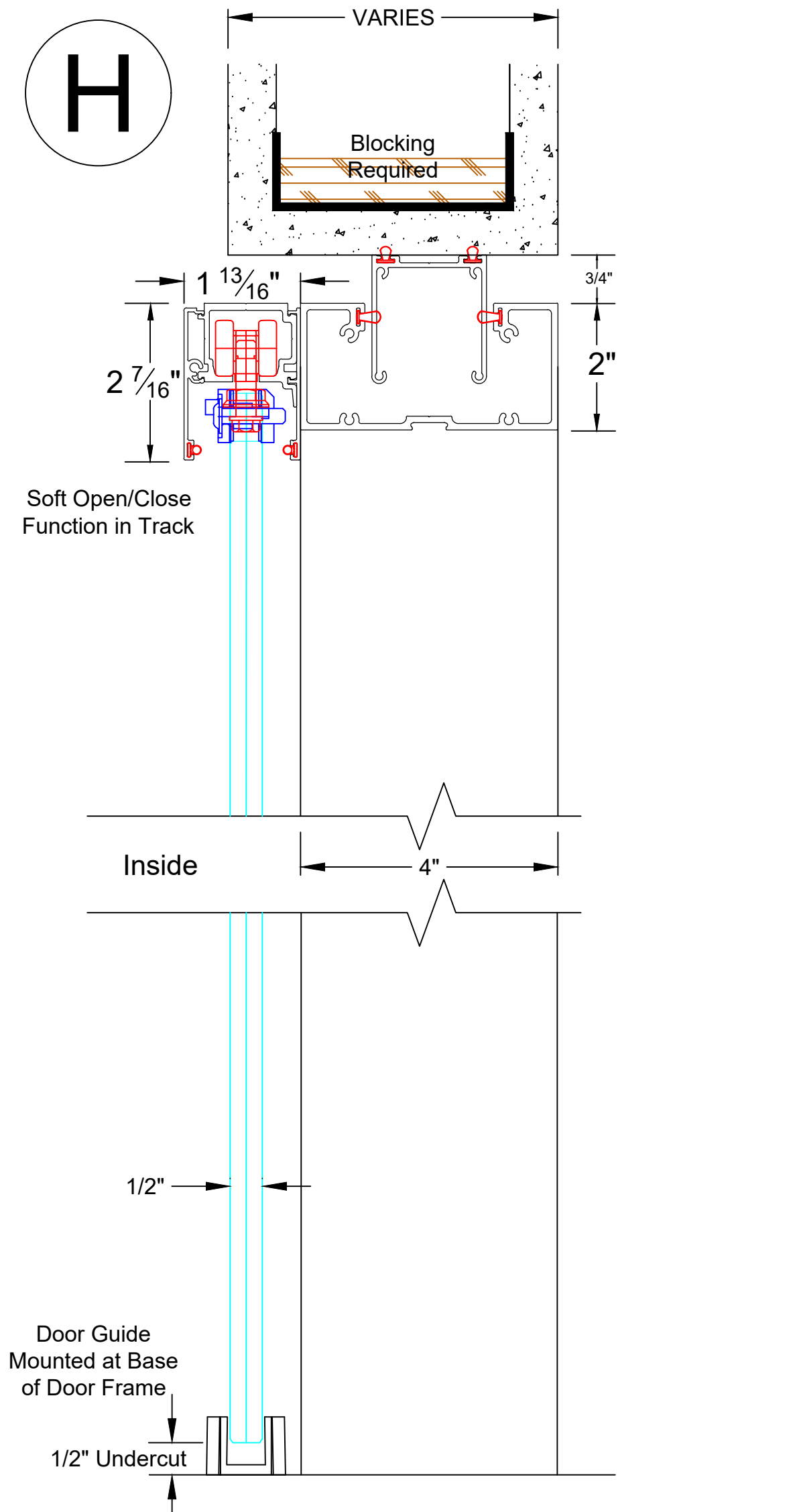
30
Double Door Pulls
Glass Sliding Door



F
Glass Hinged Door



G
Glass Pivot Door



H
Glass Sliding Door

SHEET NO.