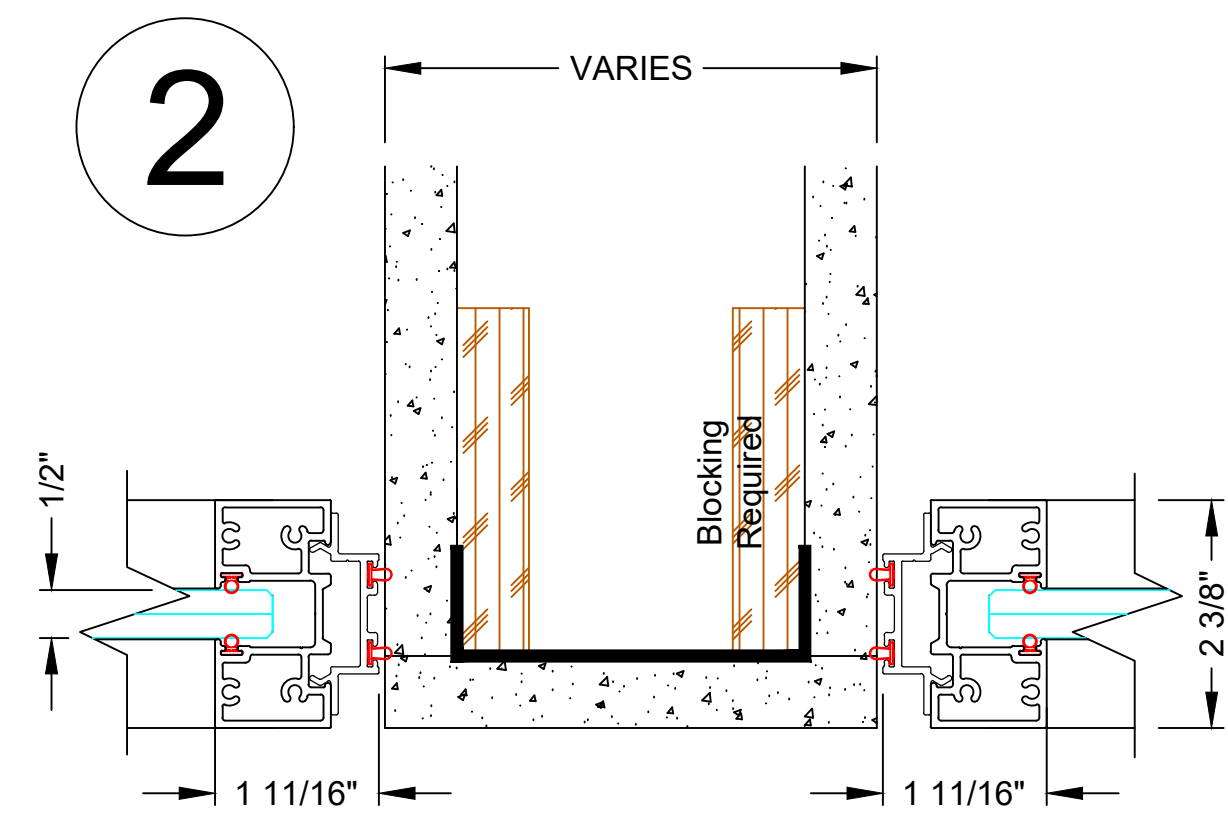
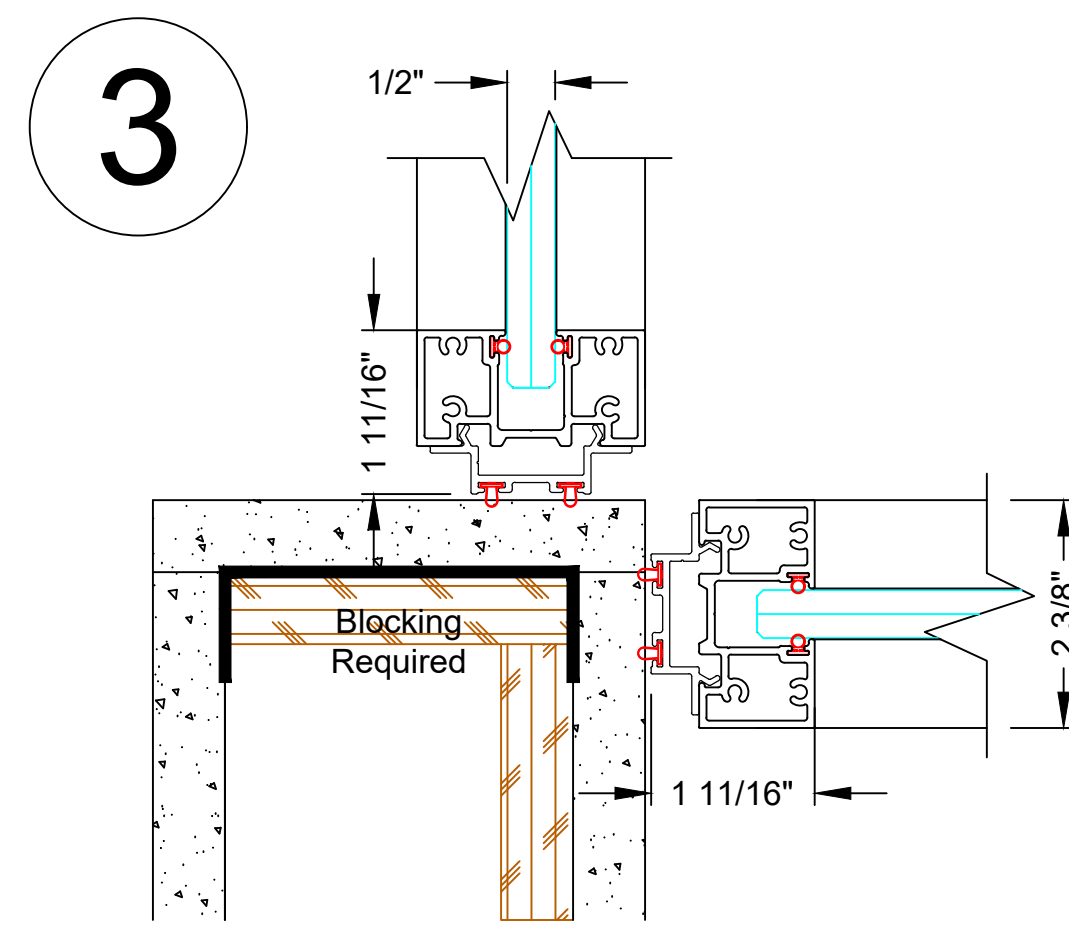


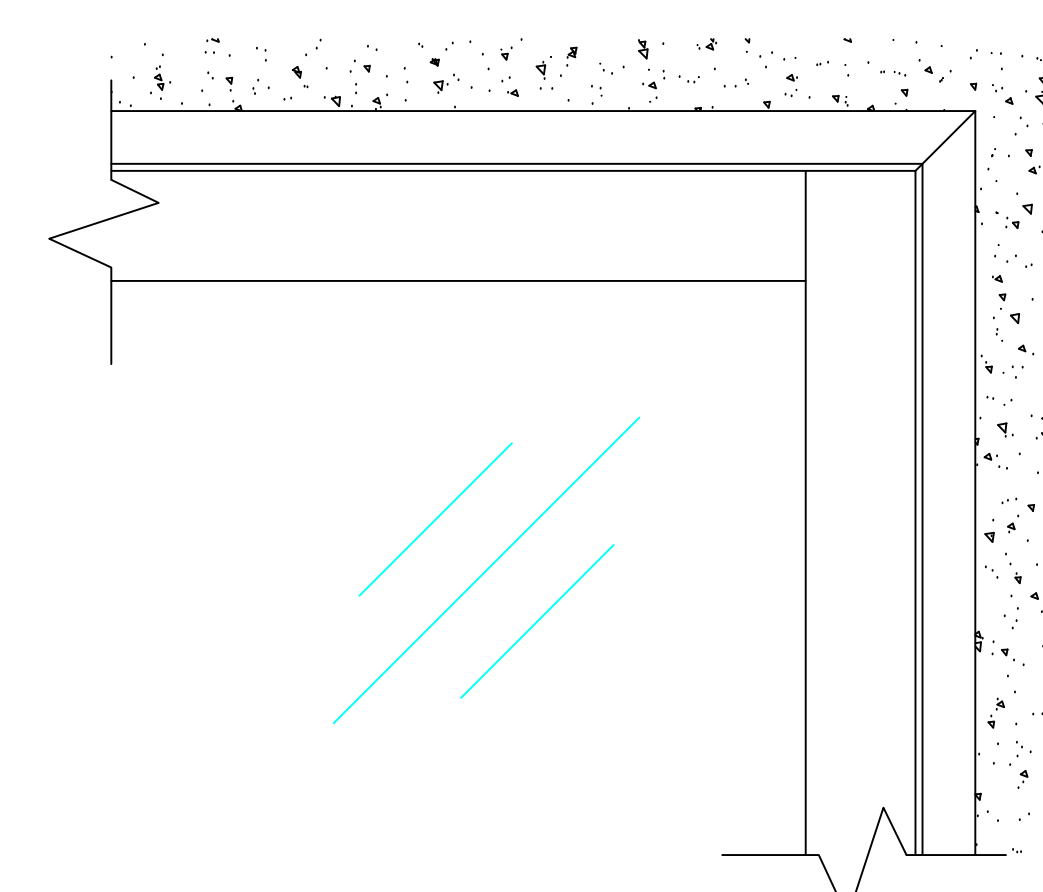
Wall Start



Wall Start at Demising Wall

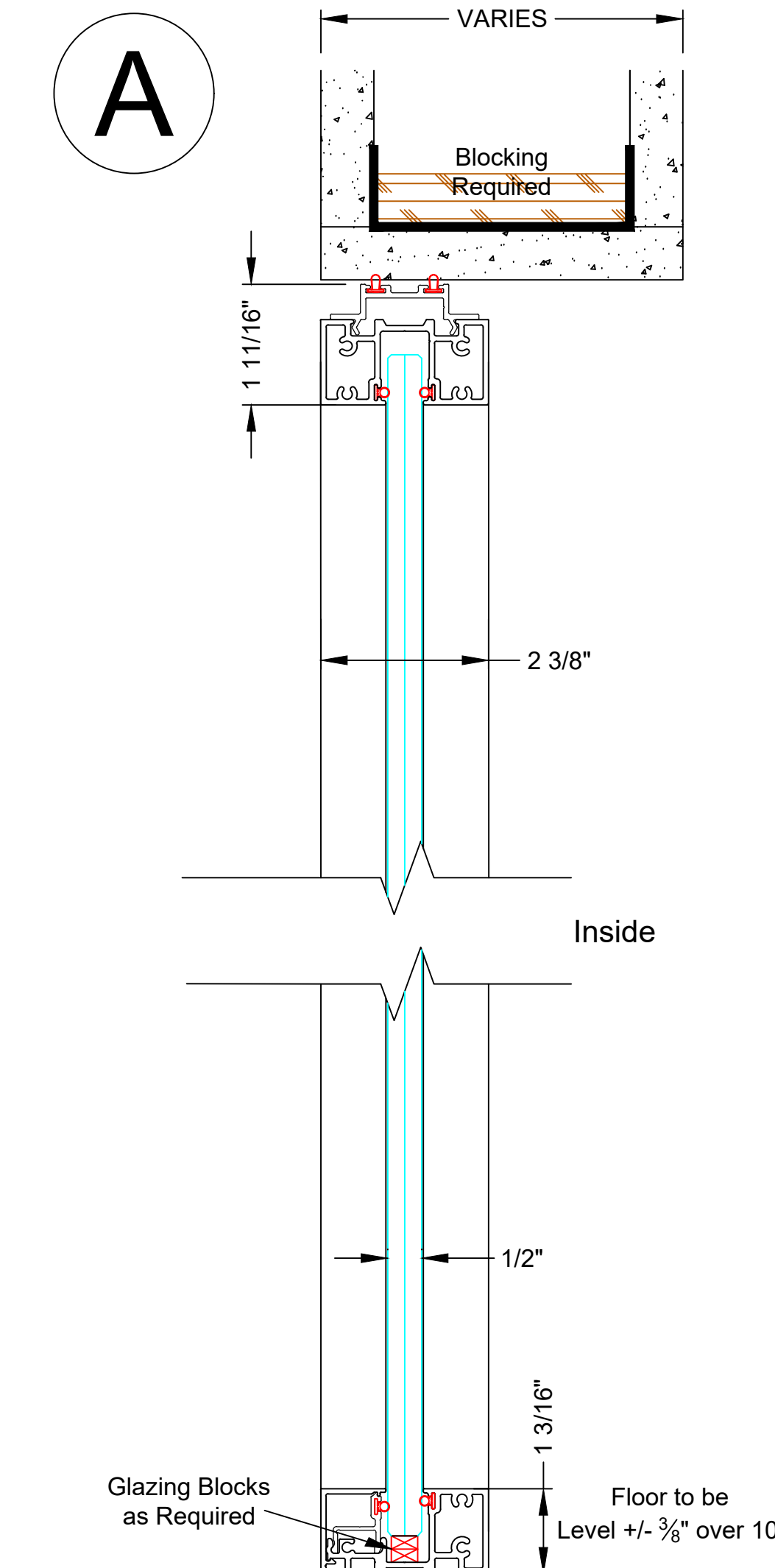


Wall Start at Drywall Corner

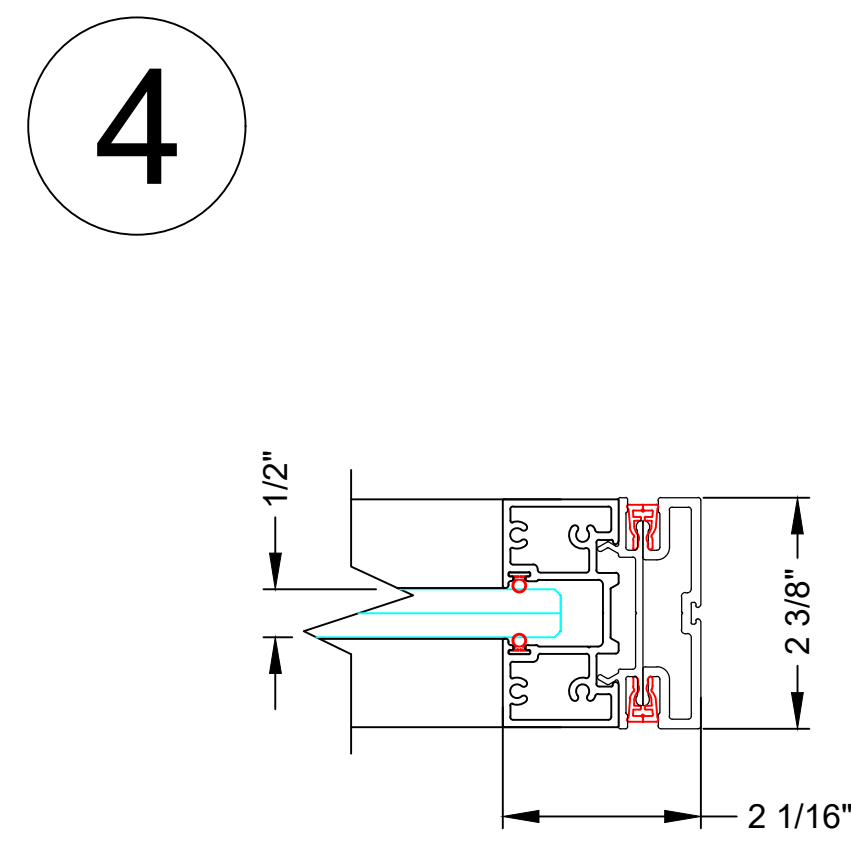


Wall Start to Ceiling Track Elevation

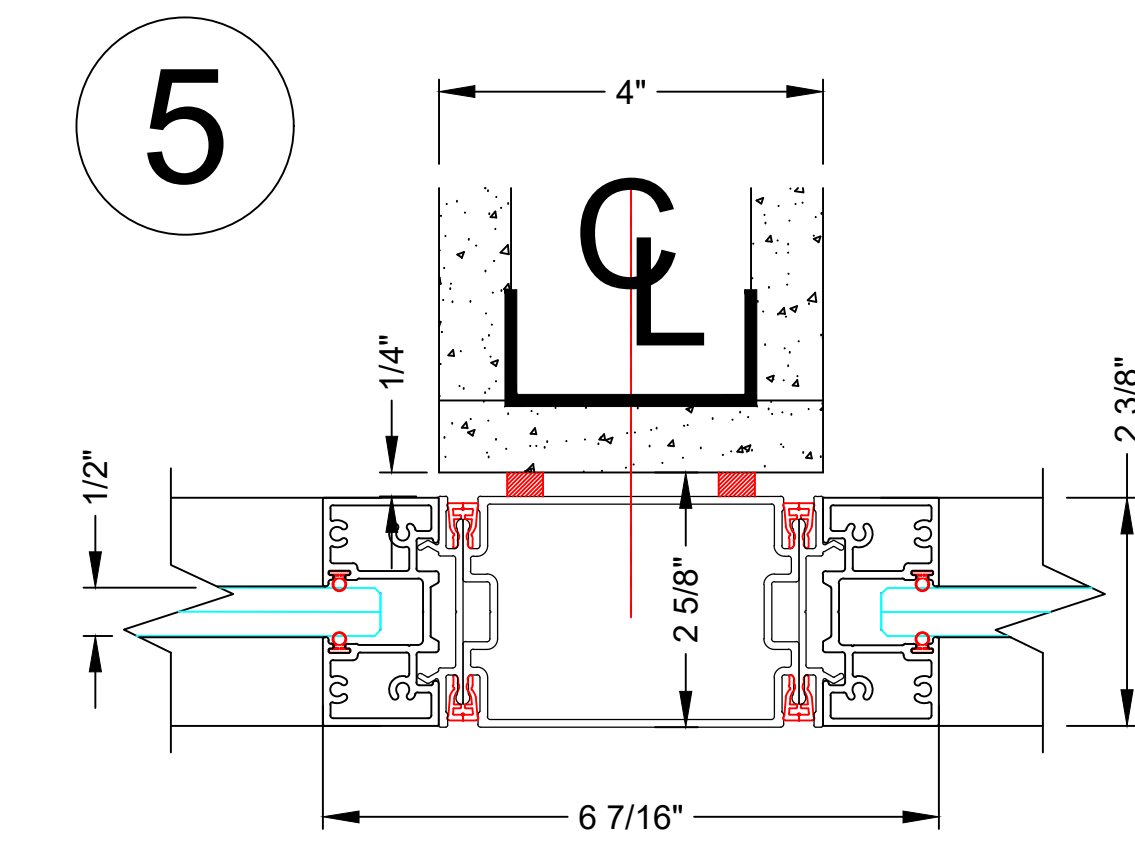
Note : System shown flush to corridor side of soffit and sheetrock wall. System can also be setback or centered if so desired. Blocking required either way.



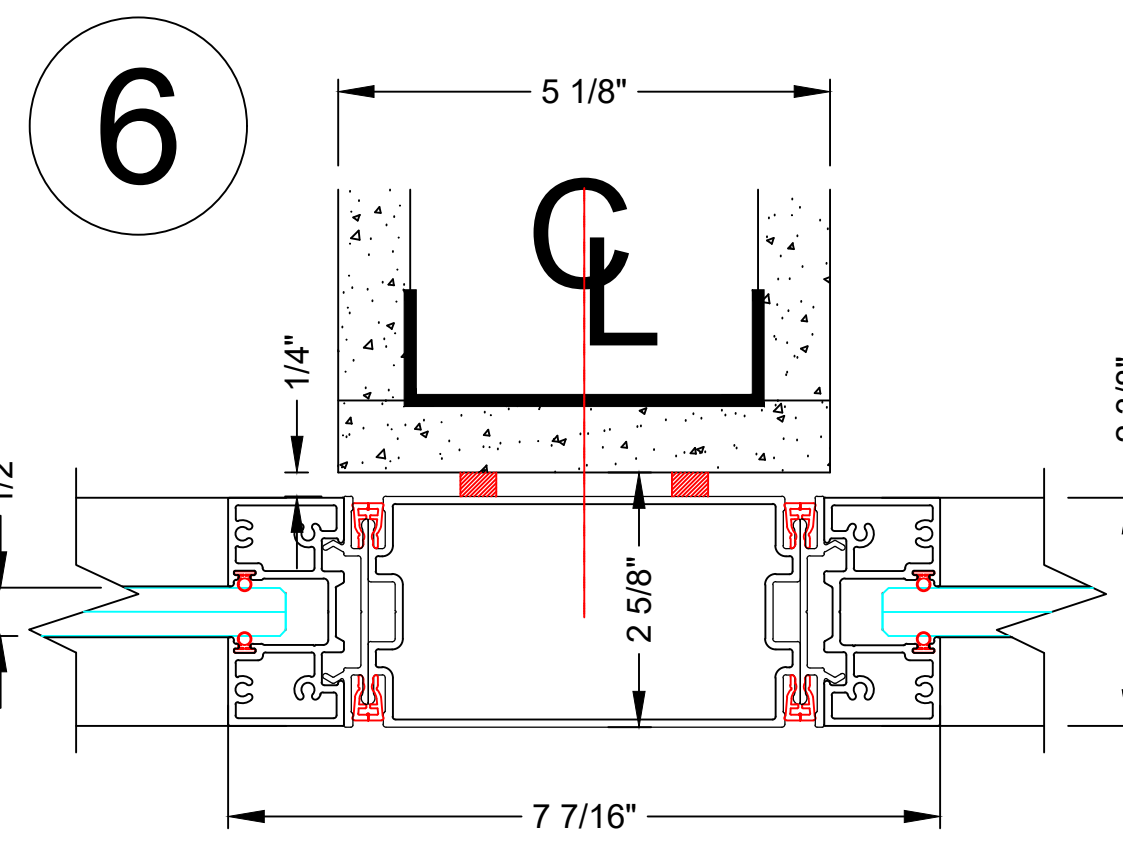
Glass Panel Vertical Section



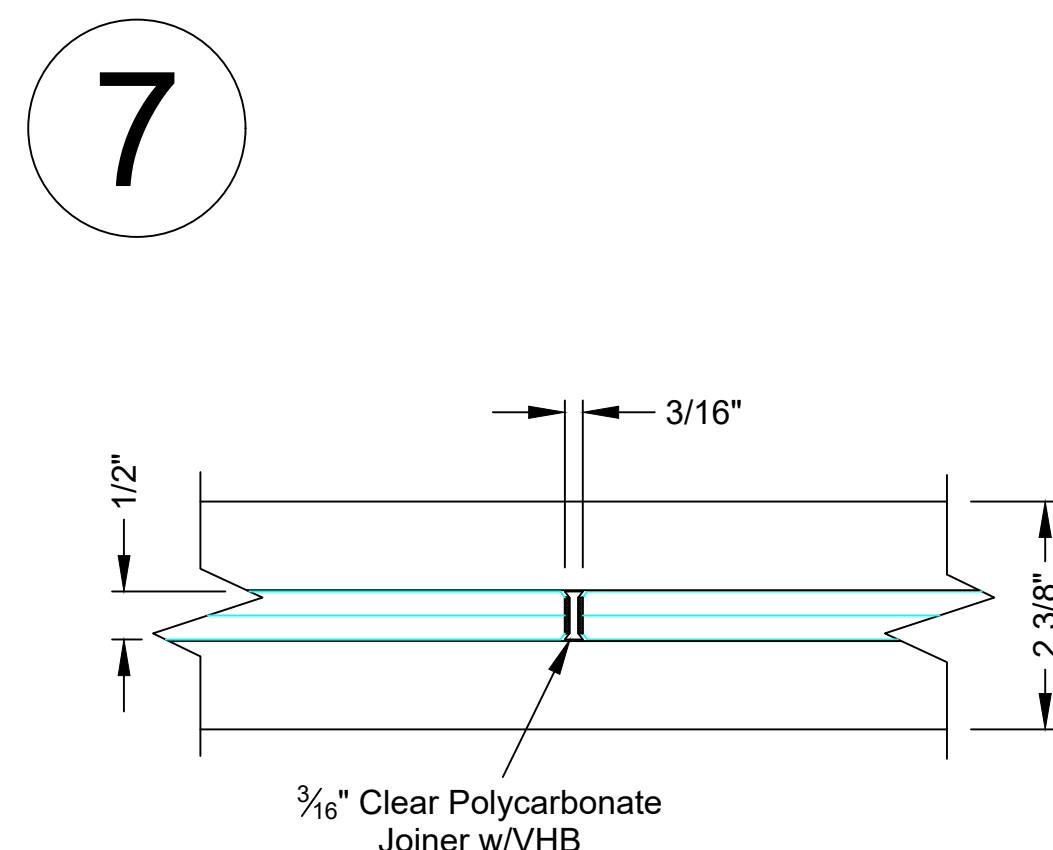
Finished End



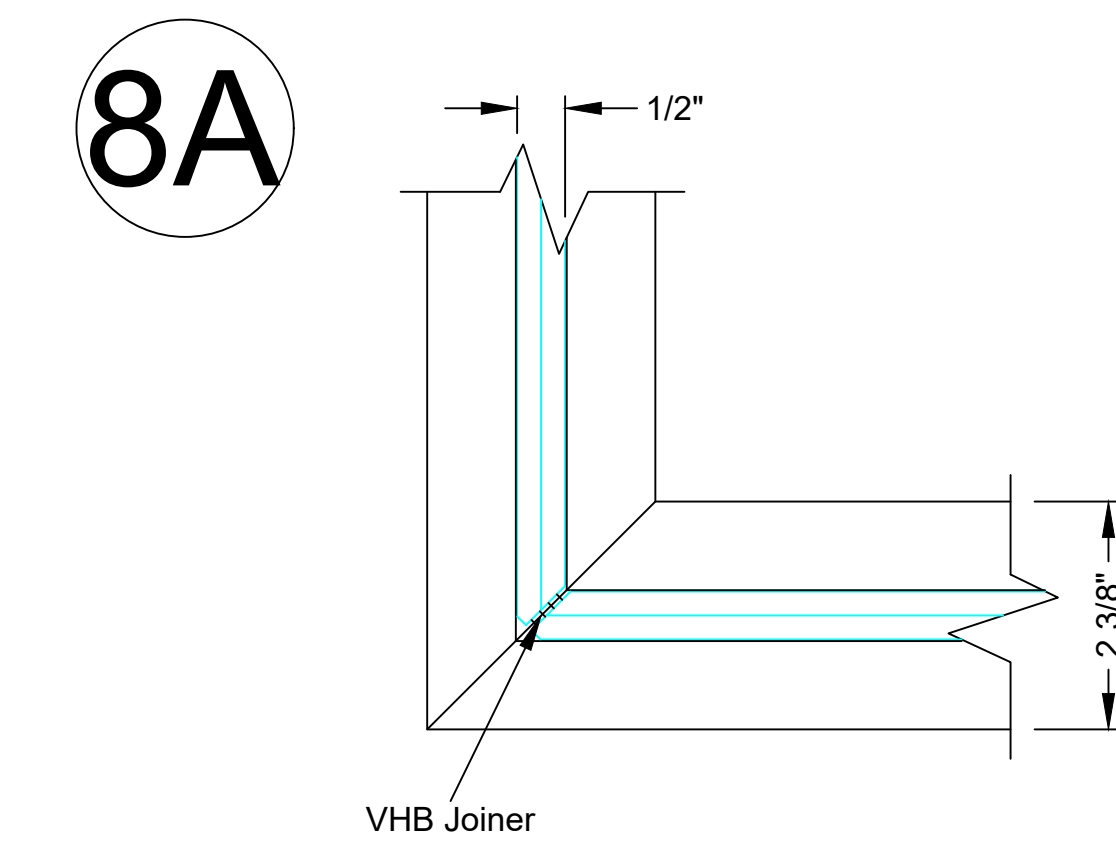
3" In-Line Post at 4" Drywall Bypass



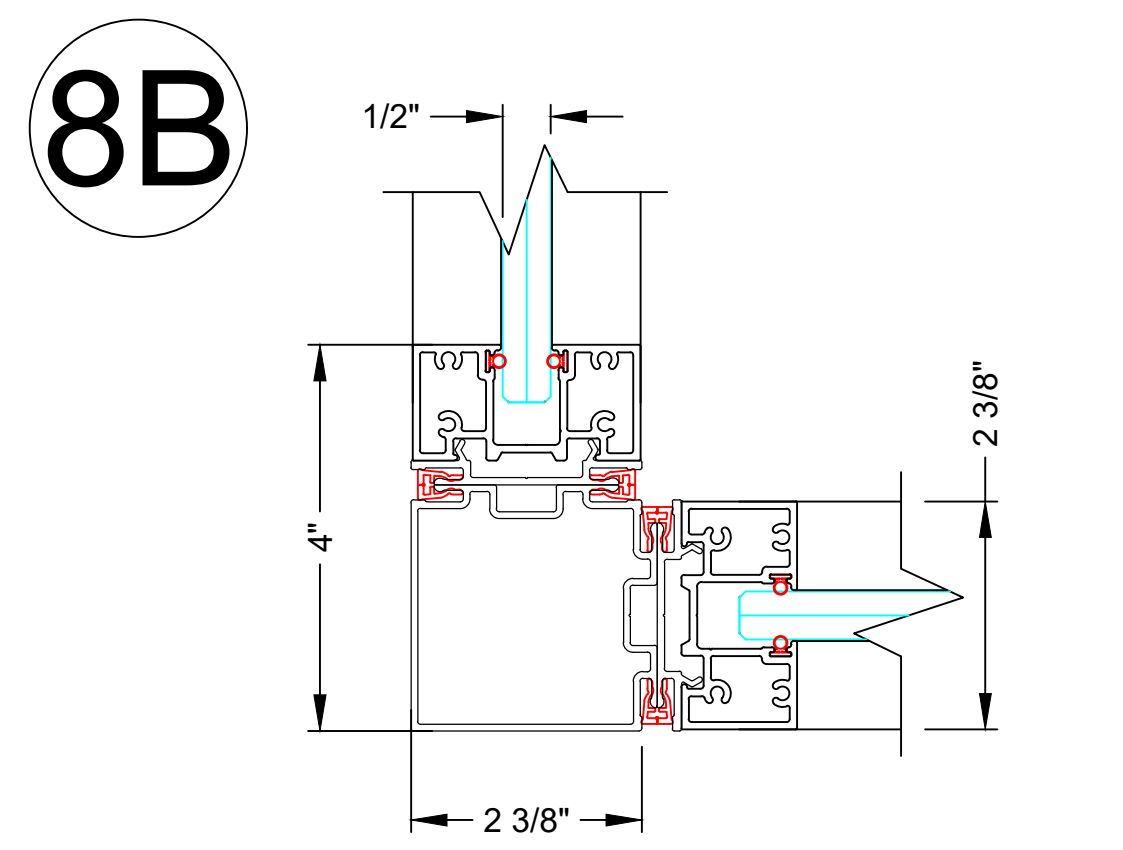
4" In-Line Post at 5 1/8" Drywall Bypass



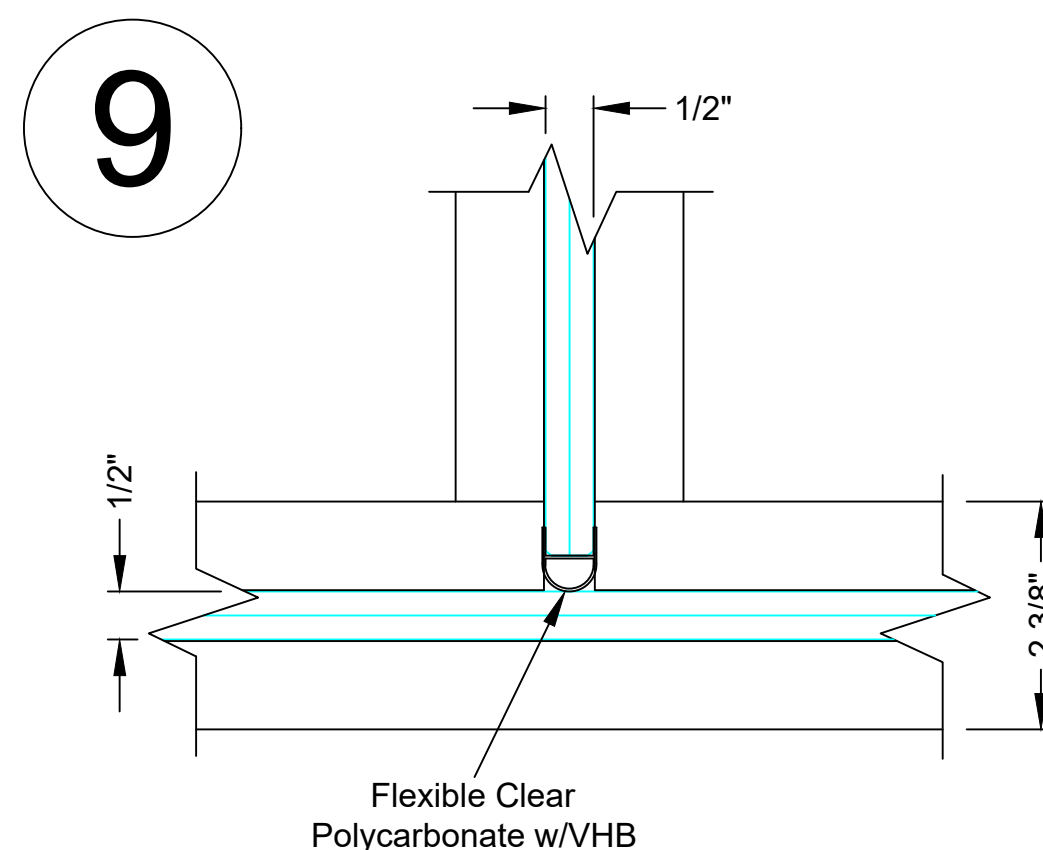
Butt Glazed Glass Connection



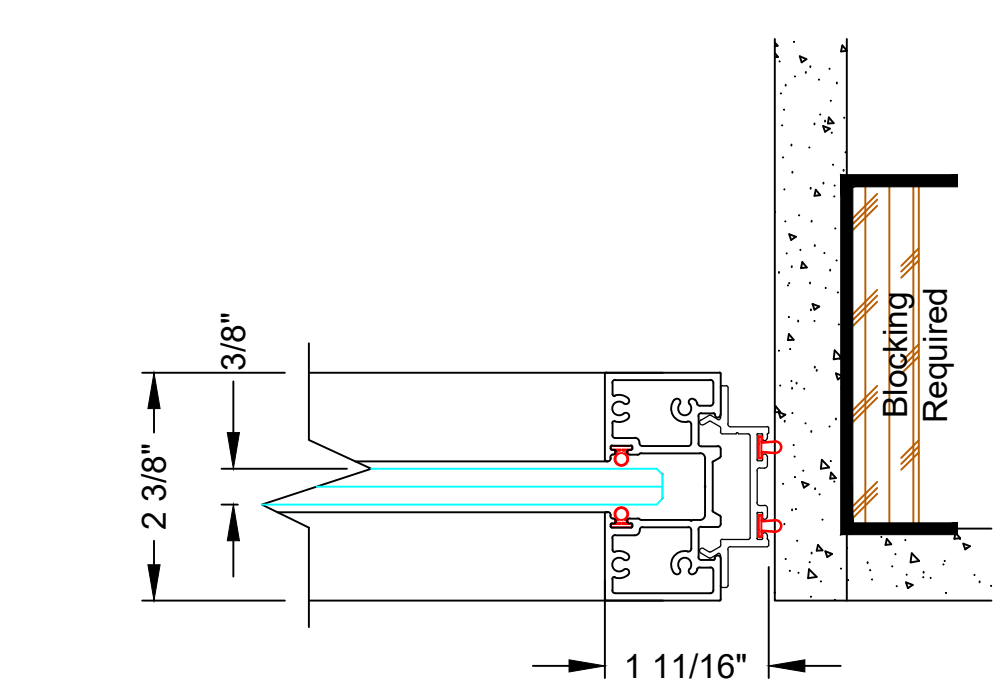
Butt Glazed Corner Connection



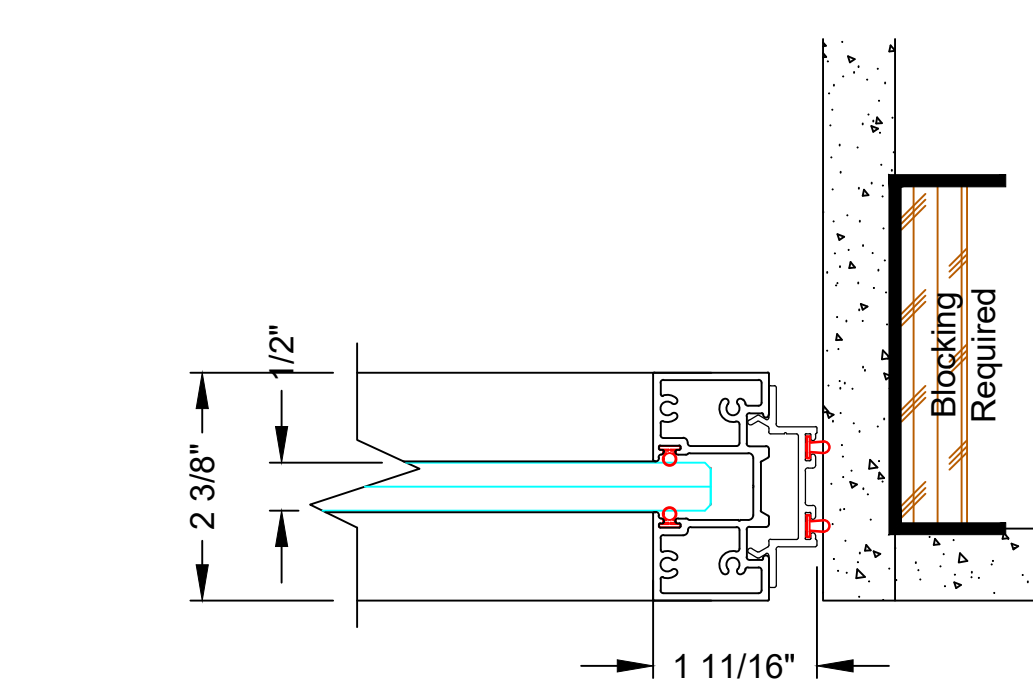
2-Way Post



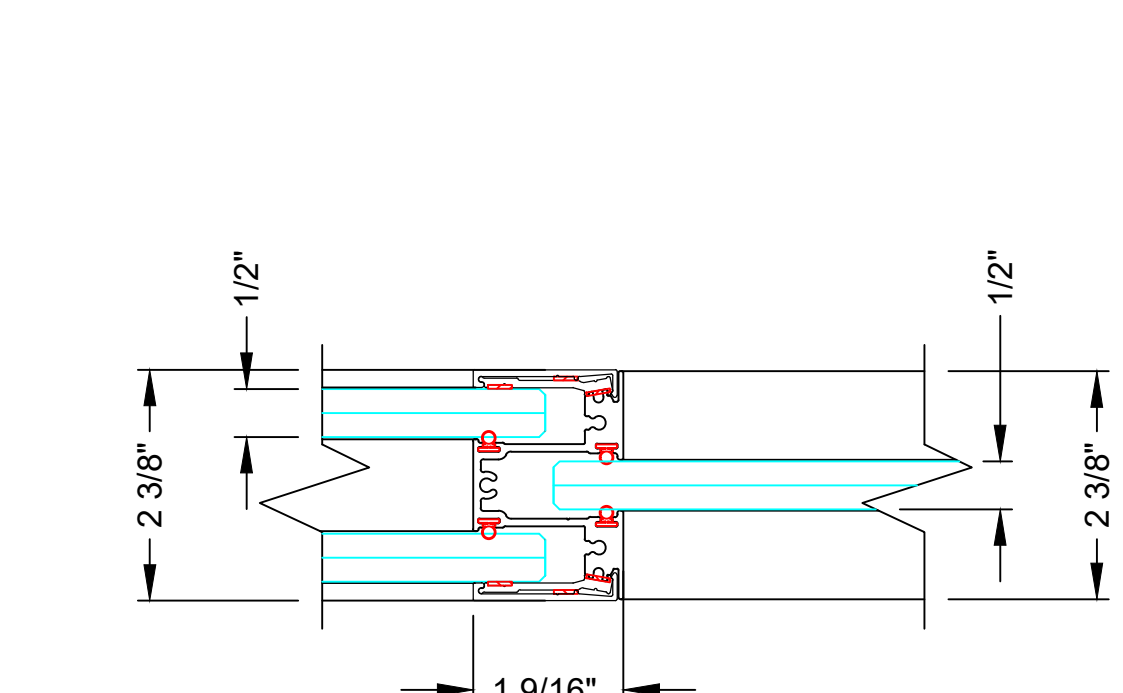
Butt Glazed 3-Way Connection



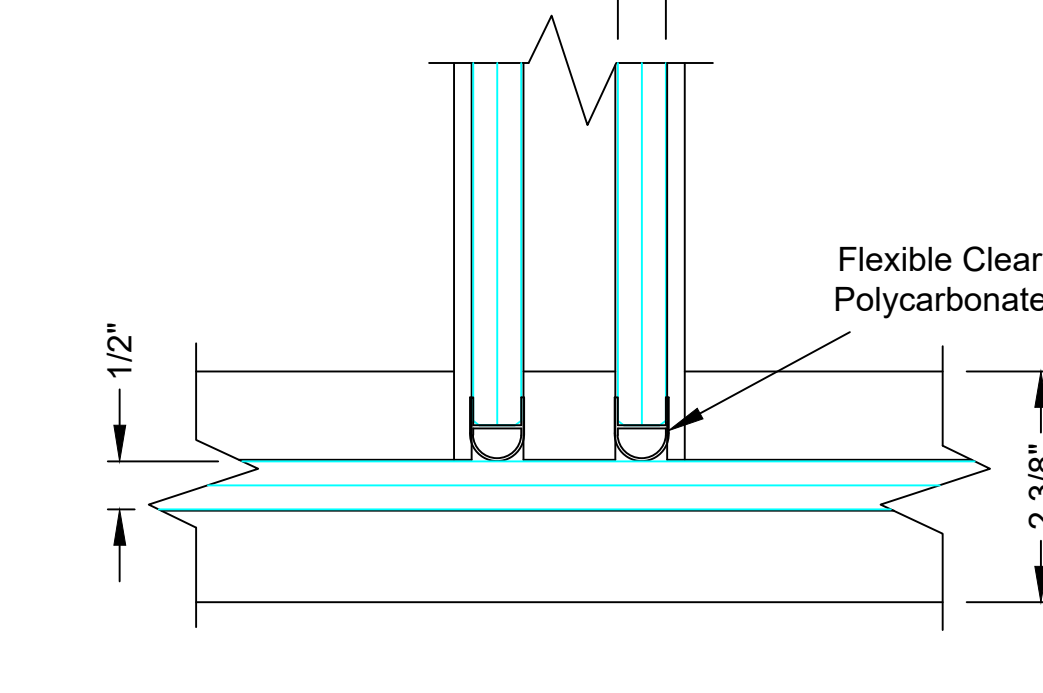
3/8" Glass



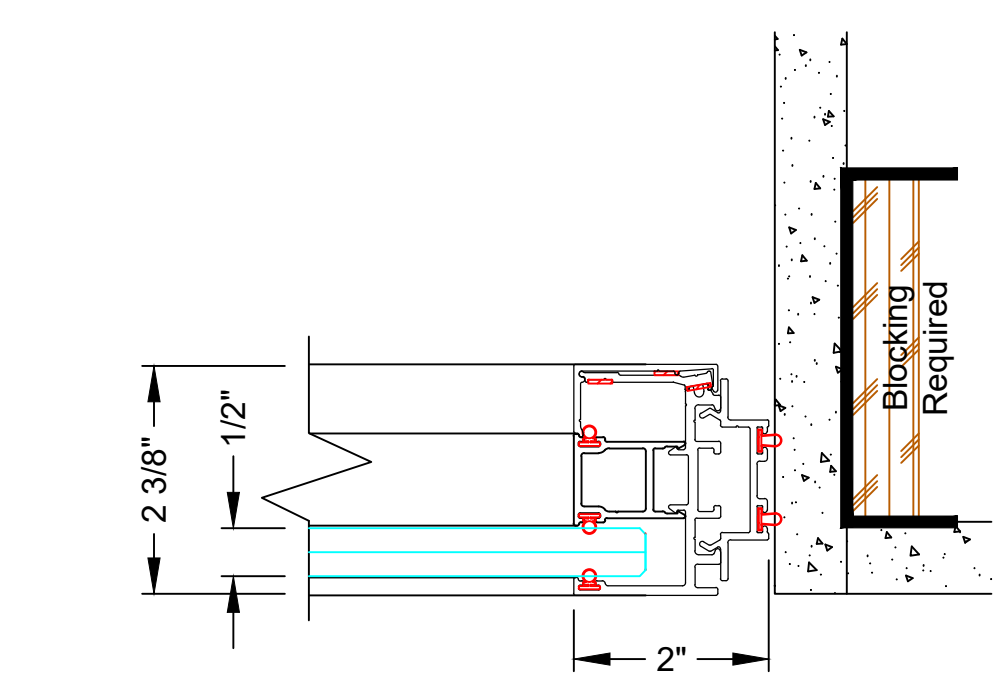
1/2" Glass



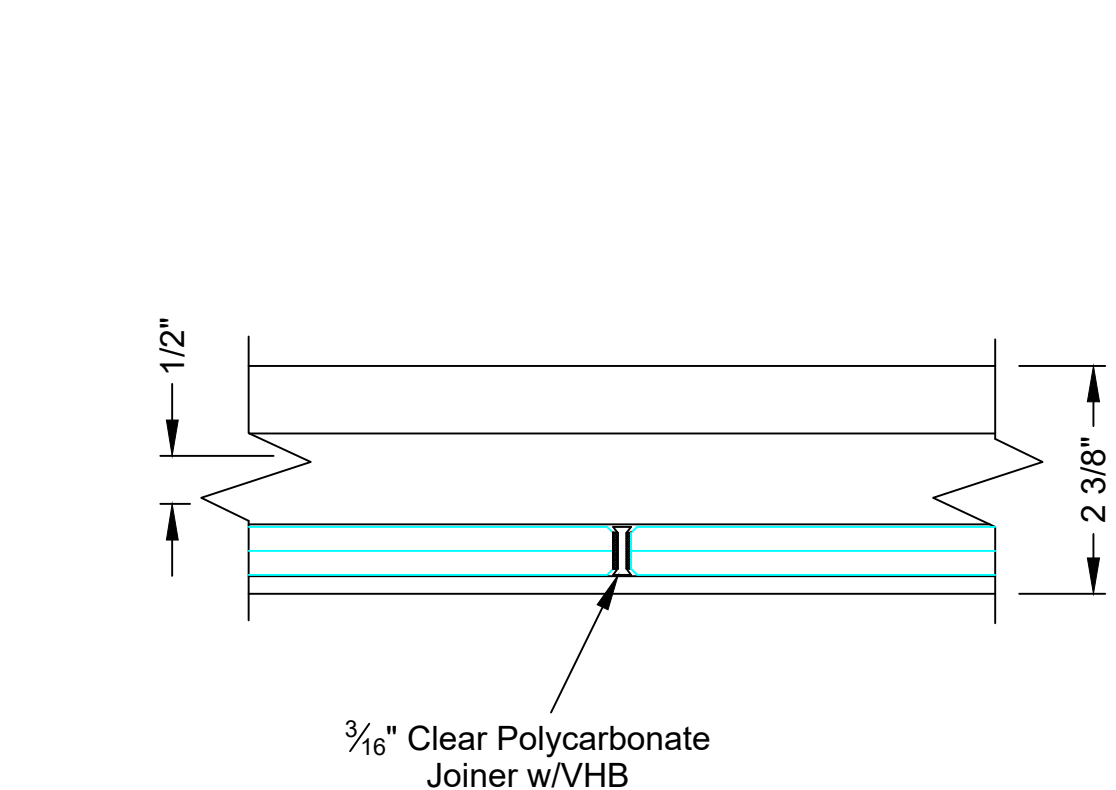
Double Glazed to Single Glazed Connection



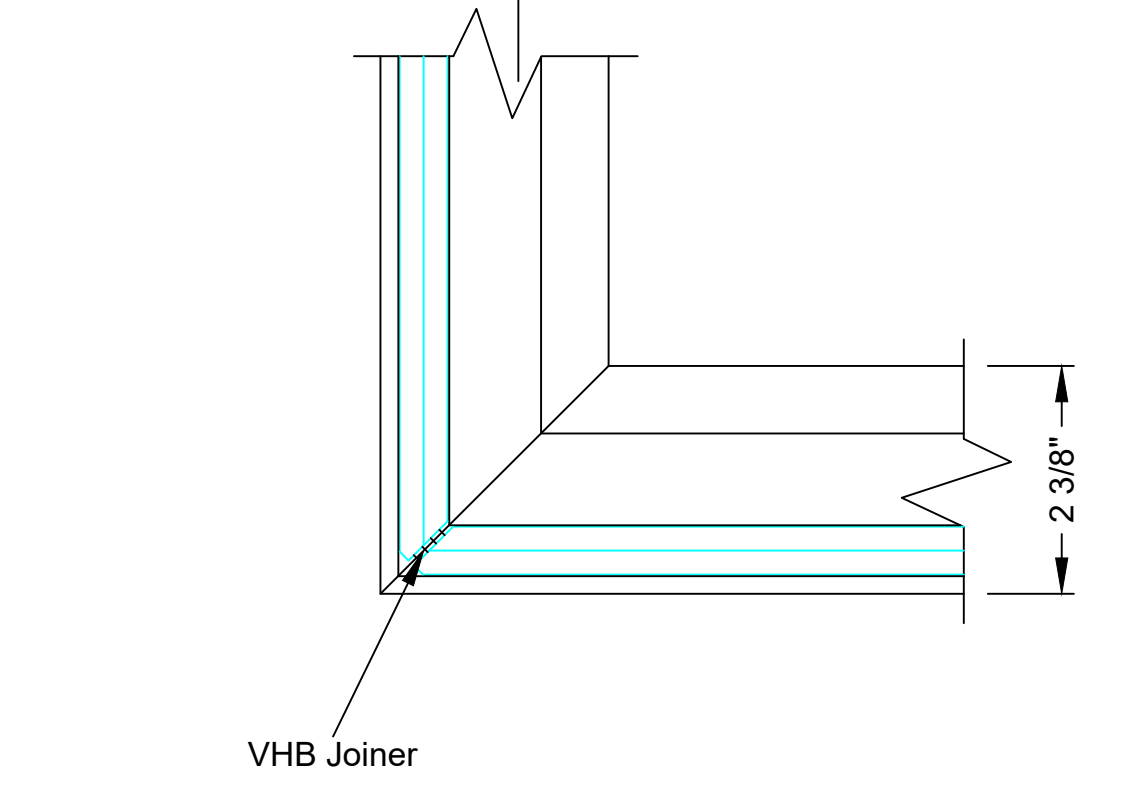
Single Glazed Front with Double Glazed Return



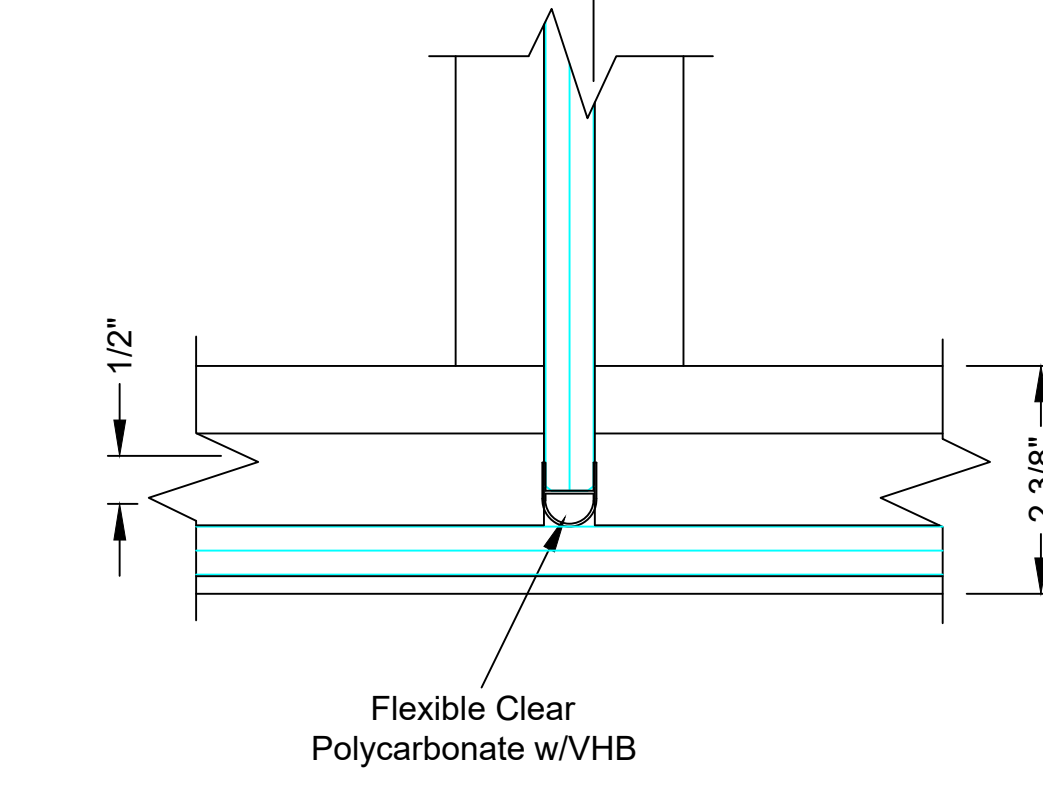
Flush to Front



Flush to Front Butt Glazed Connection



Flush to Front Corner Connection

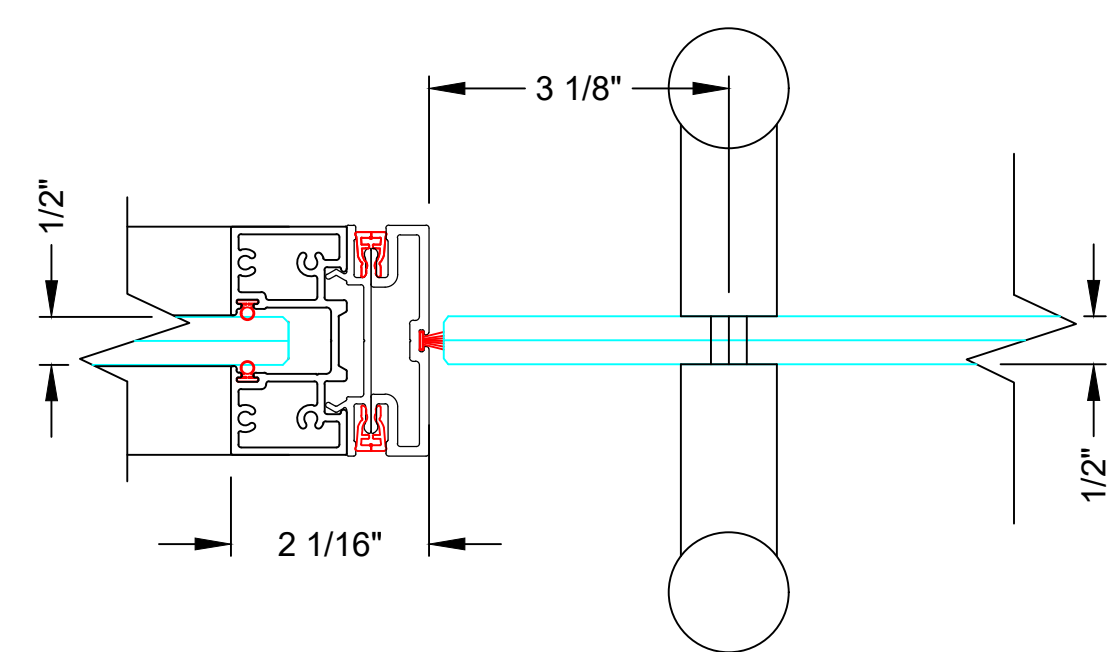


Flush to Front 3-Way Connection

8
7
6
5
4
3
2
1

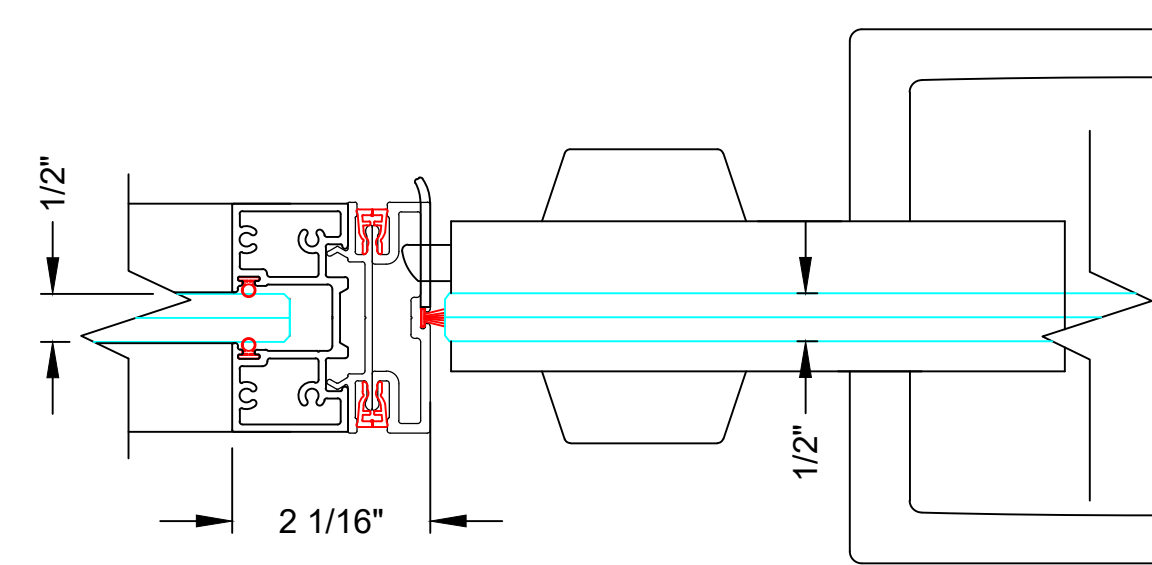
NO.	DATE	ISSUE/REVISION
0		

10A



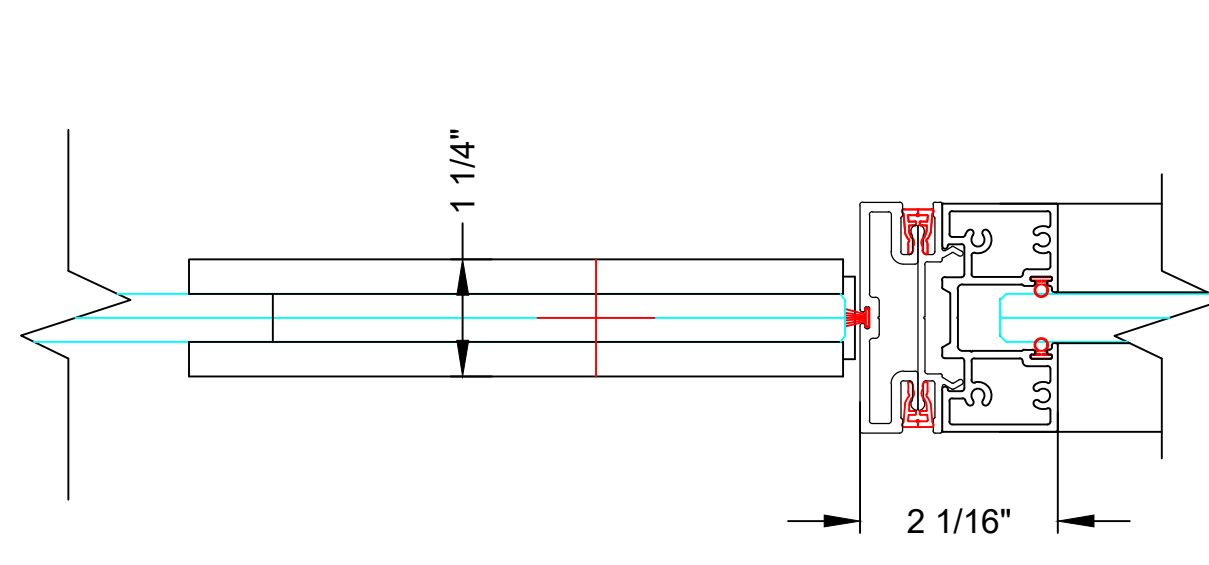
Panel to DF Keeper
Glass Pivot Door

10B



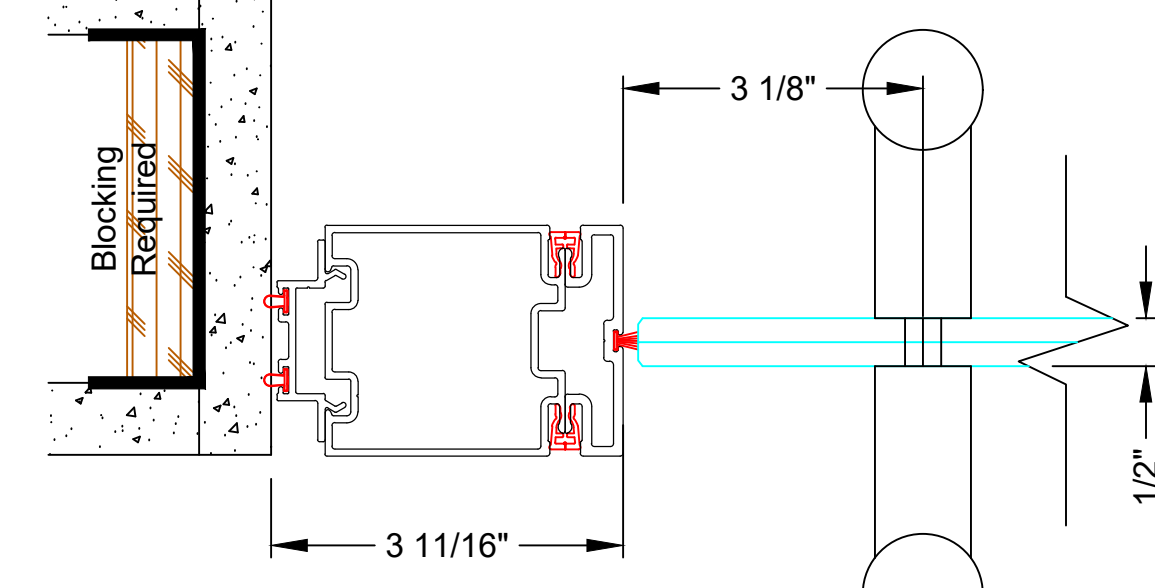
Panel to DF Keeper
Glass Pivot Door

11



Panel to DF Pivot
Glass Pivot Door

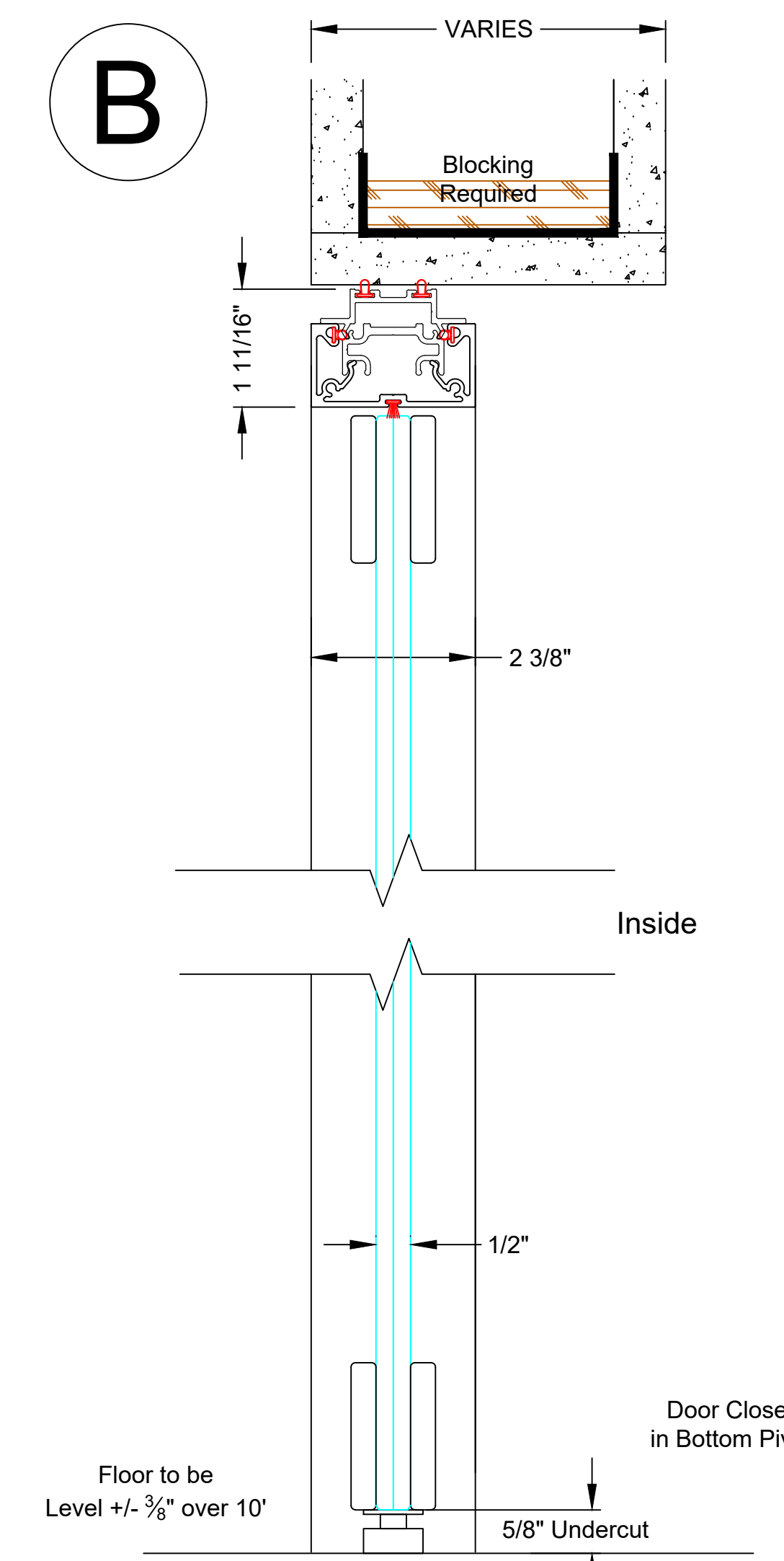
12



DF Keeper at Drywall
Glass Pivot Door

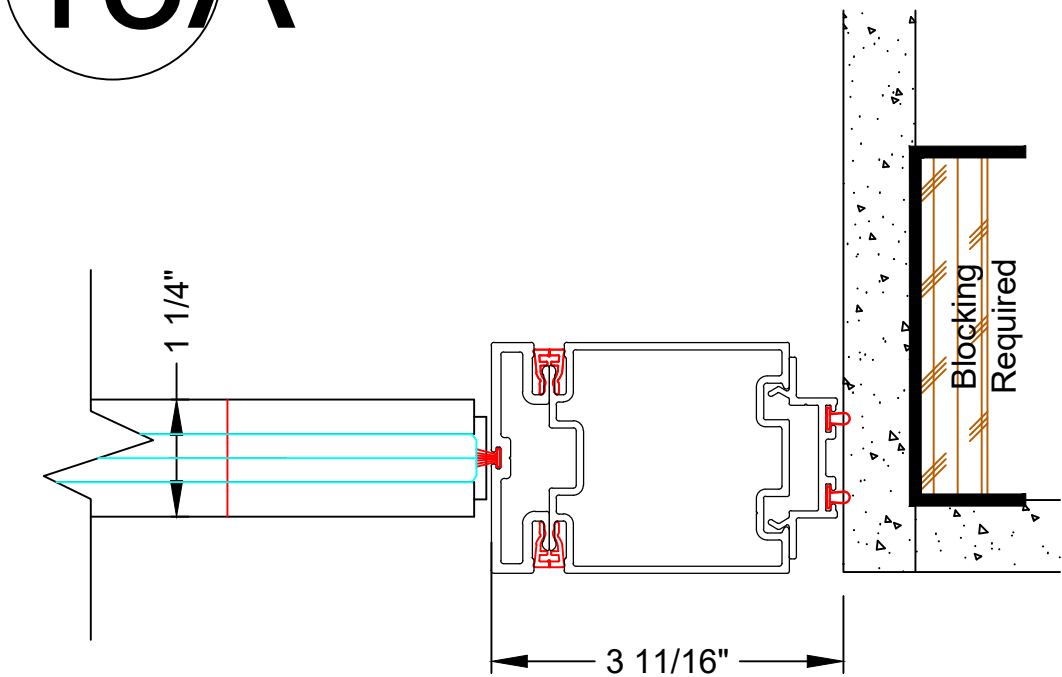
Note : System shown flush to corridor side of soffit and sheetrock wall. System can also be setback or centered if so desired. Blocking required either way.

B



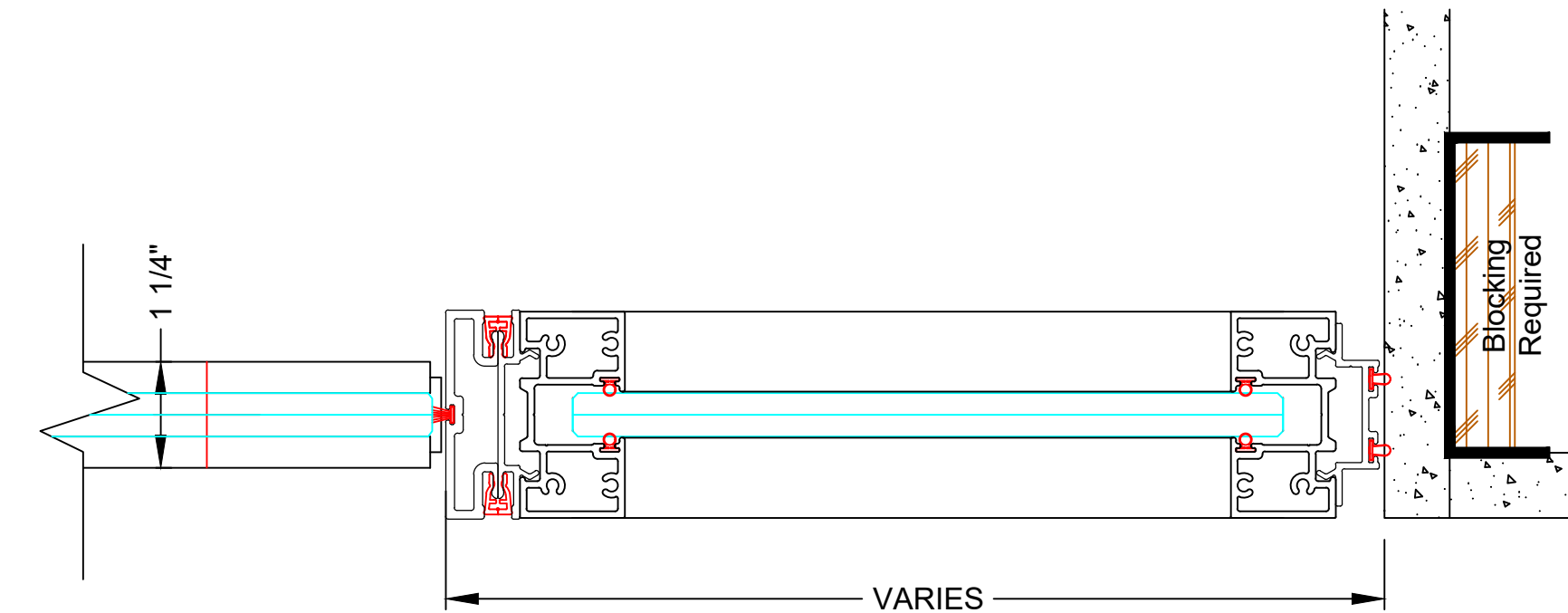
Glass Pivot Door
Vertical Section

13A



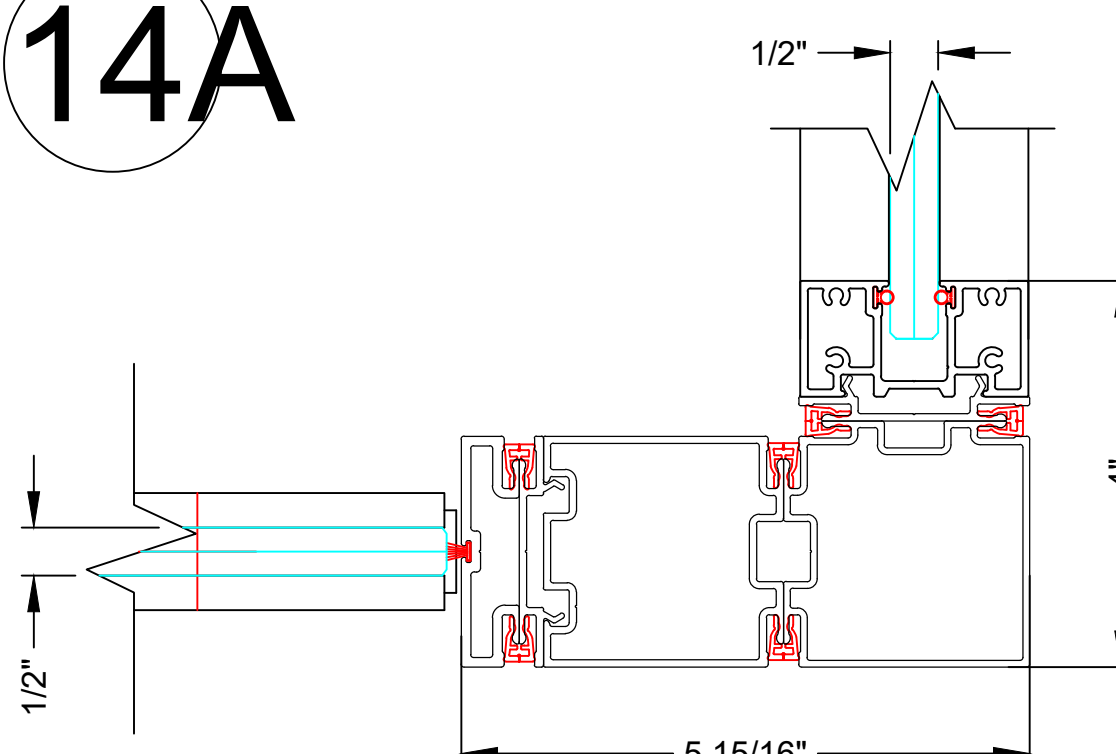
DF Pivot at Drywall
Glass Pivot Door

13B



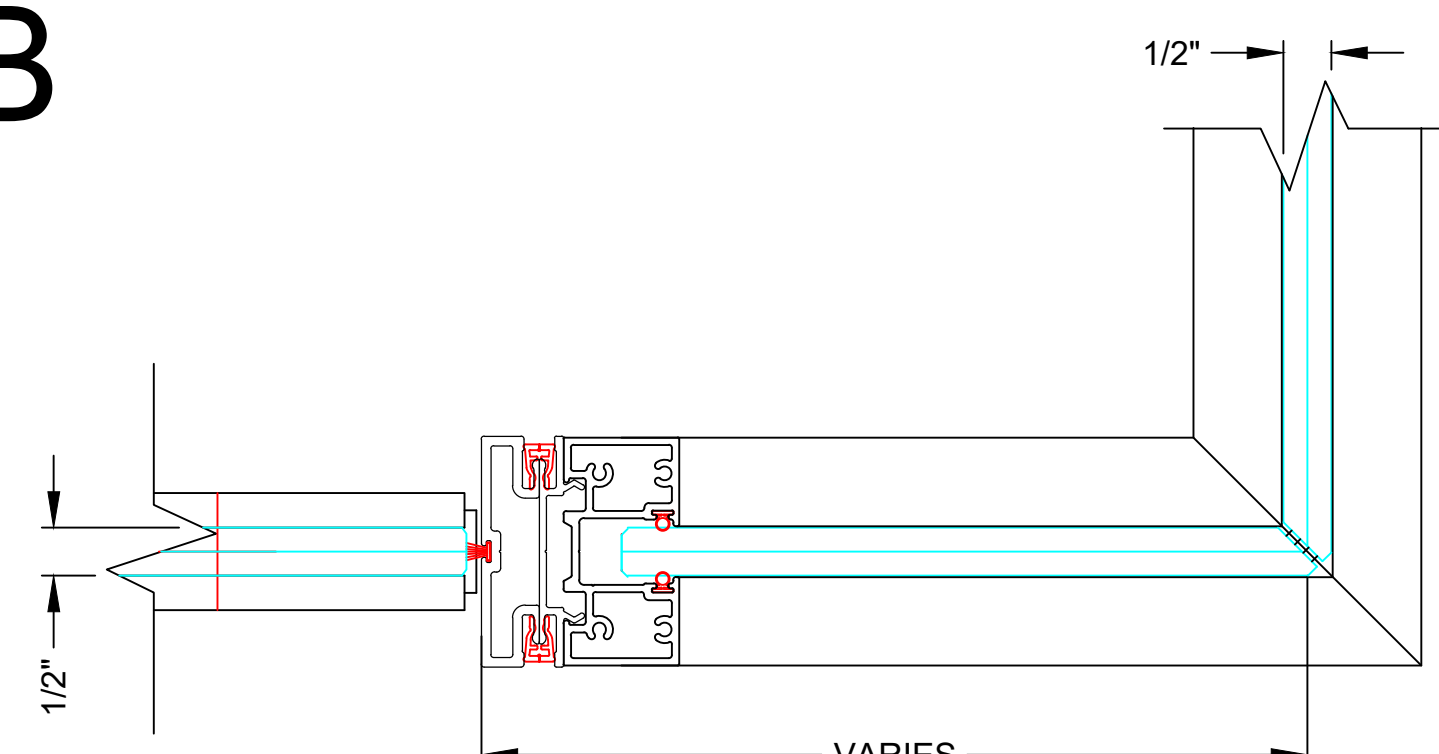
DF Pivot at Drywall with Sidelight
Glass Pivot Door

14A



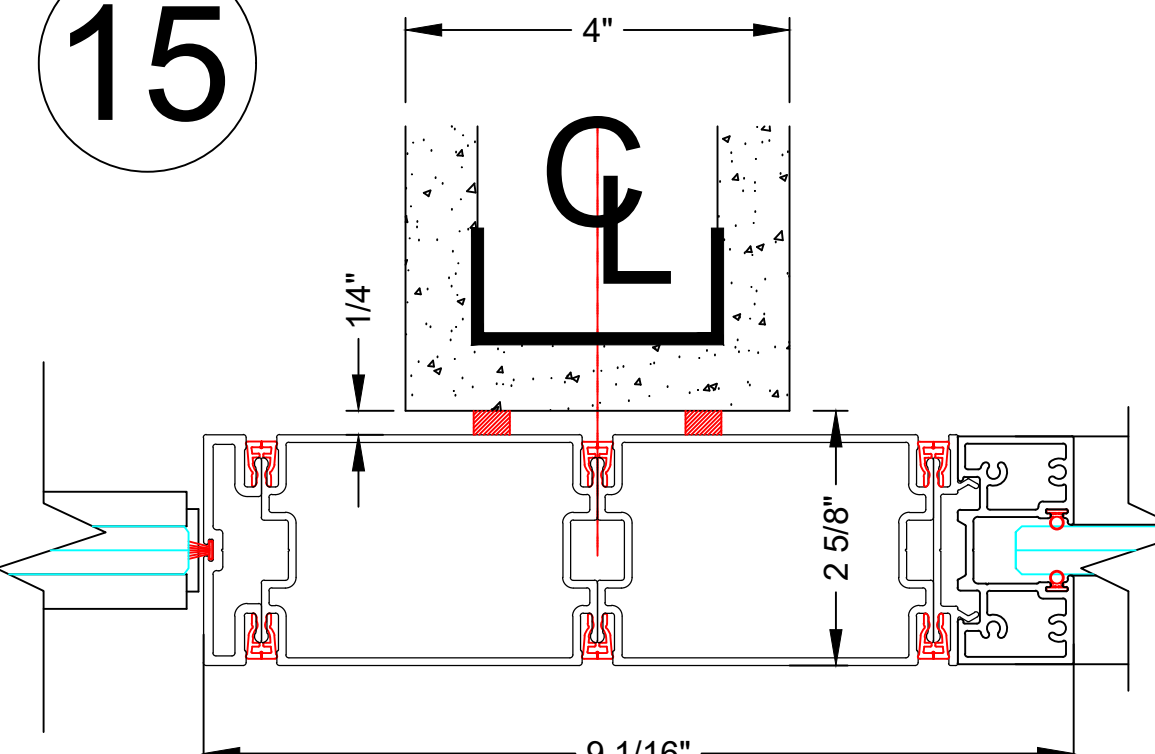
DF Pivot at 2-Way Post
Glass Pivot Door

14B



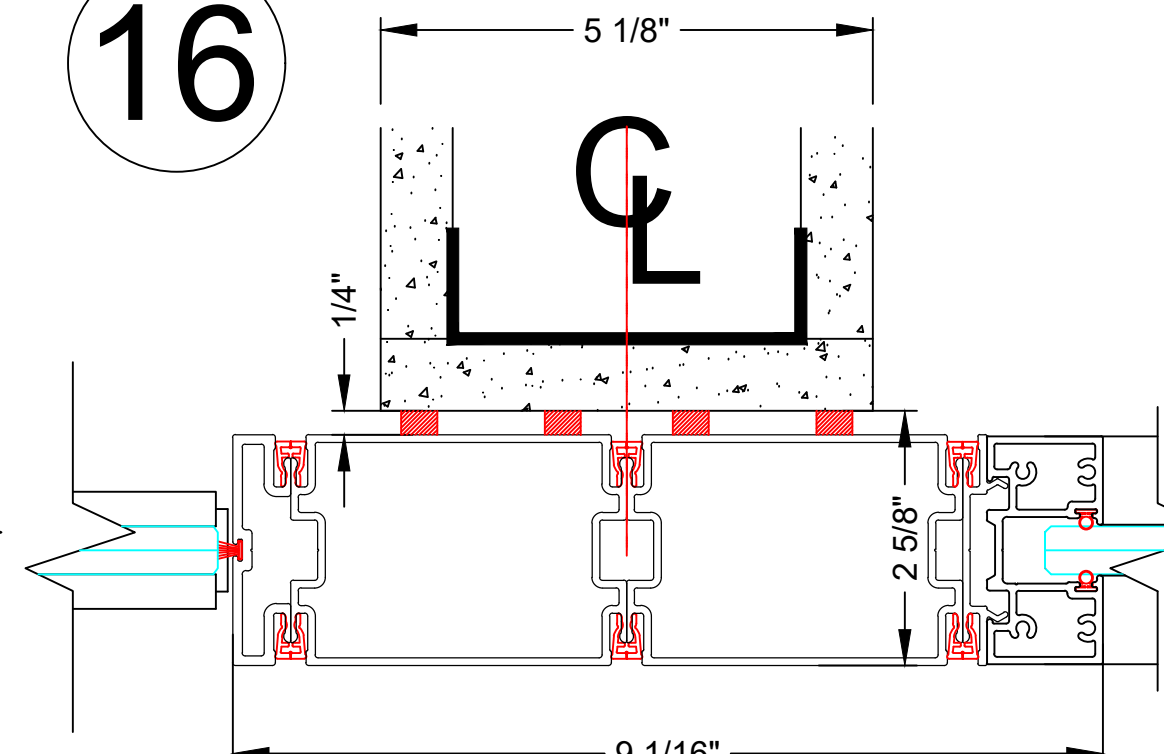
DF Pivot at Butt Glazed Corner
Glass Pivot Door

15



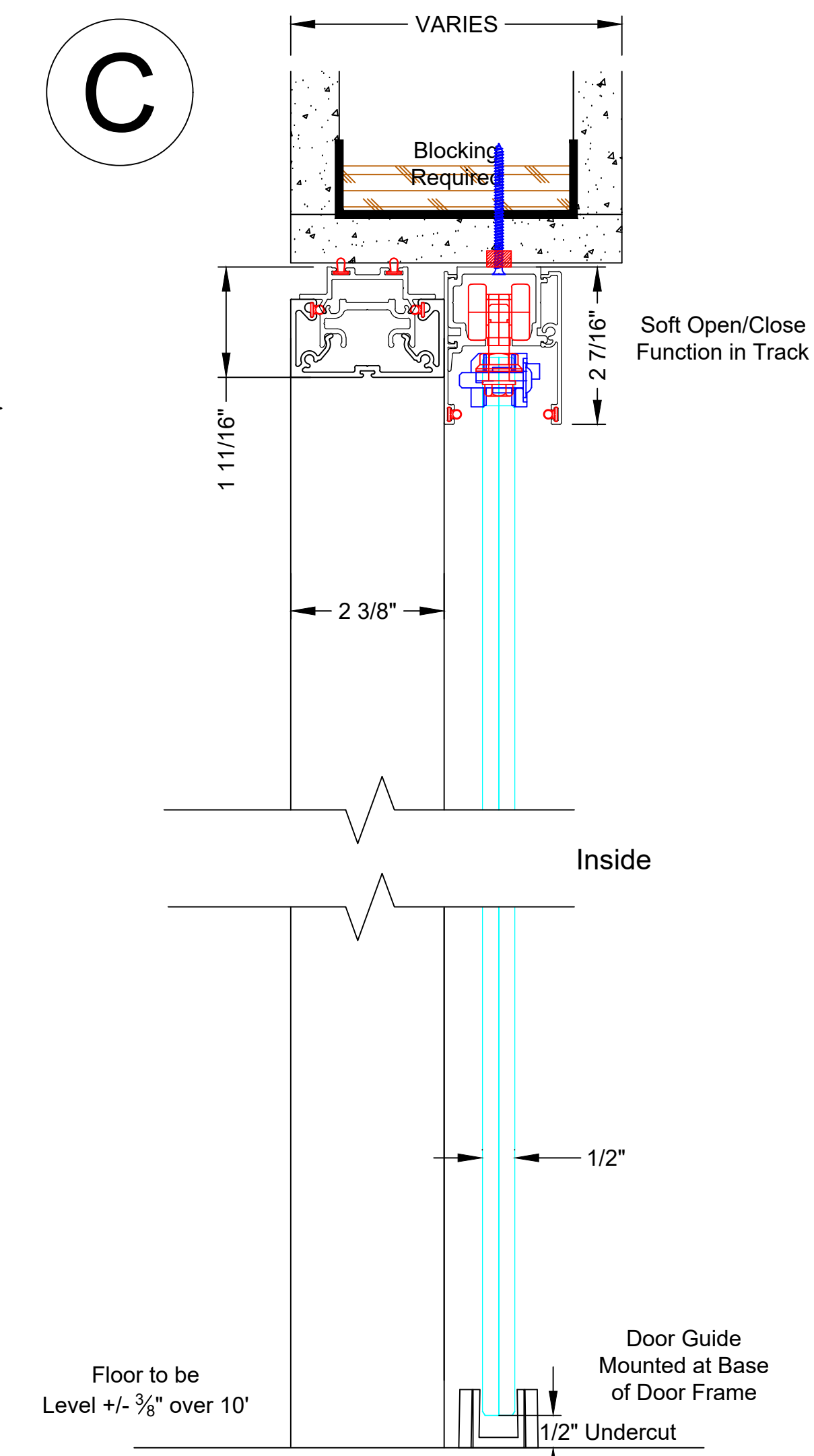
DF Pivot at 4" Bypass
Glass Pivot Door

16



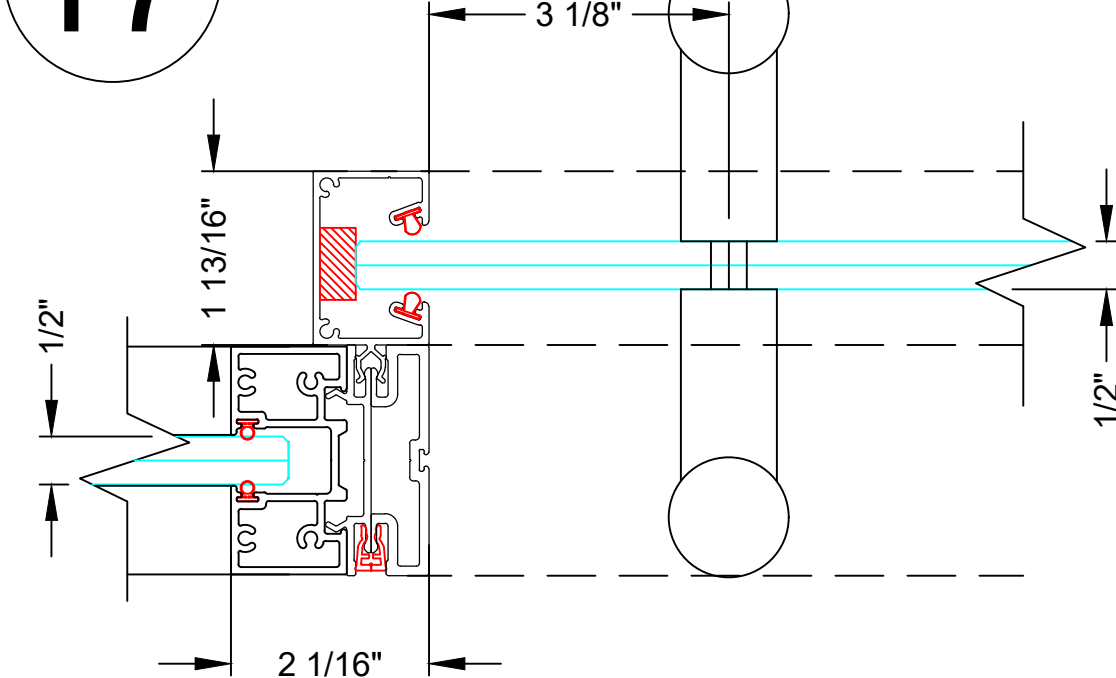
DF Pivot at 5 1/8" Bypass
Glass Pivot Door

C



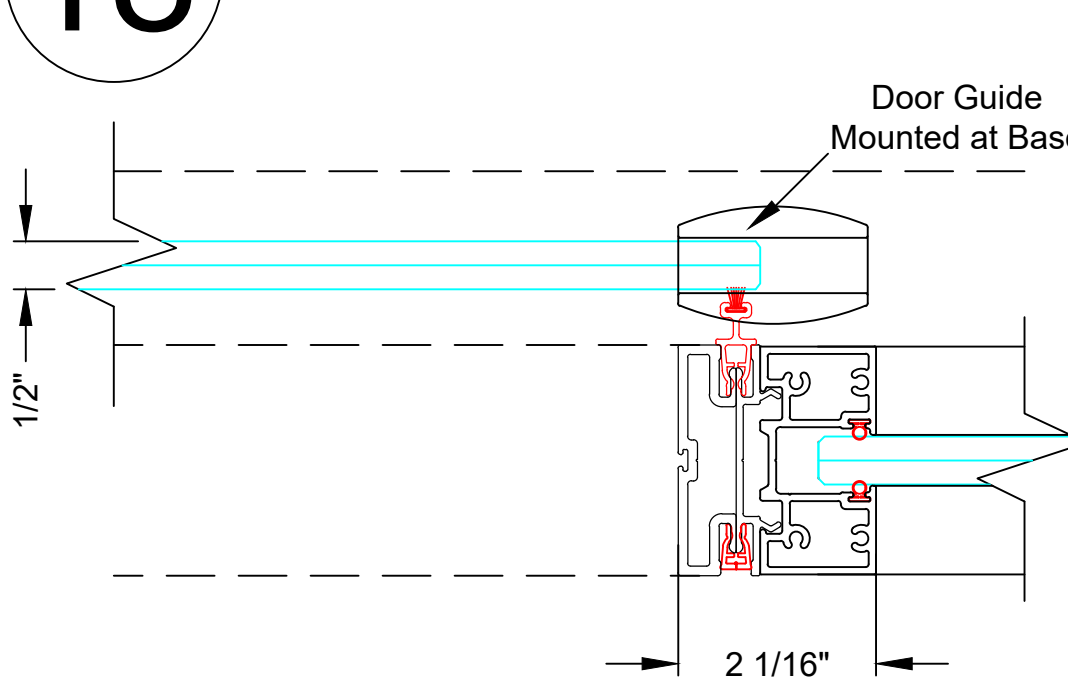
Glass Sliding Door
Vertical Section

17



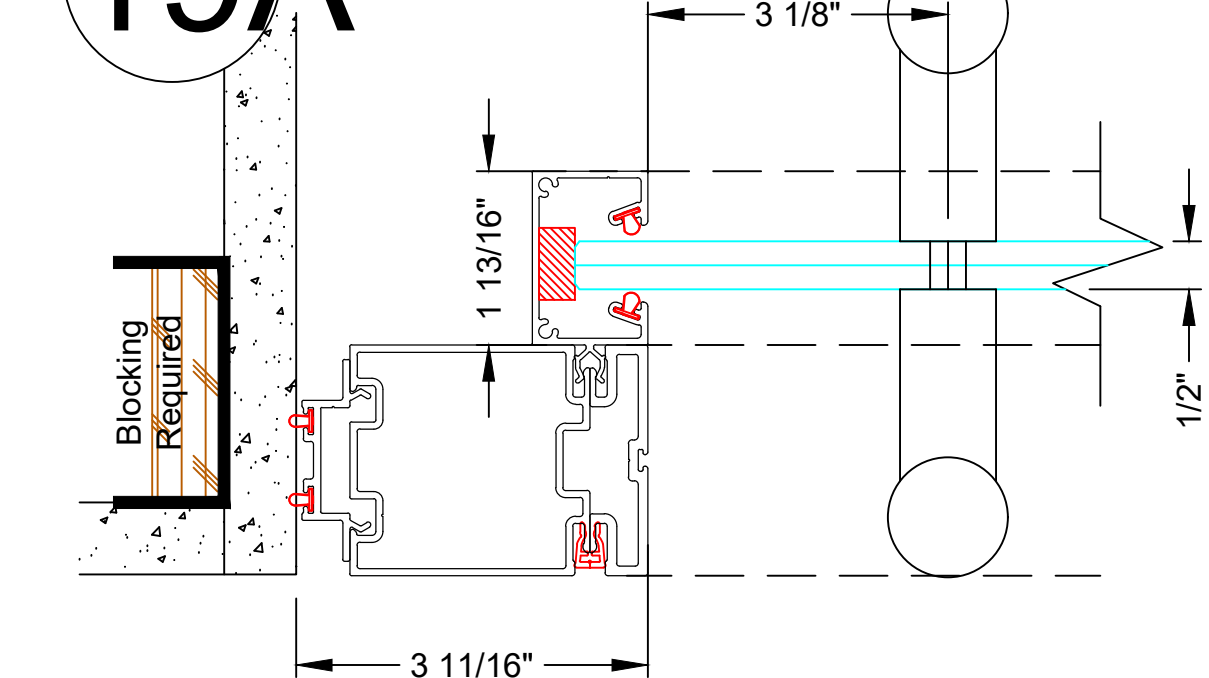
Panel to DF Receiver
Glass Sliding Door

18



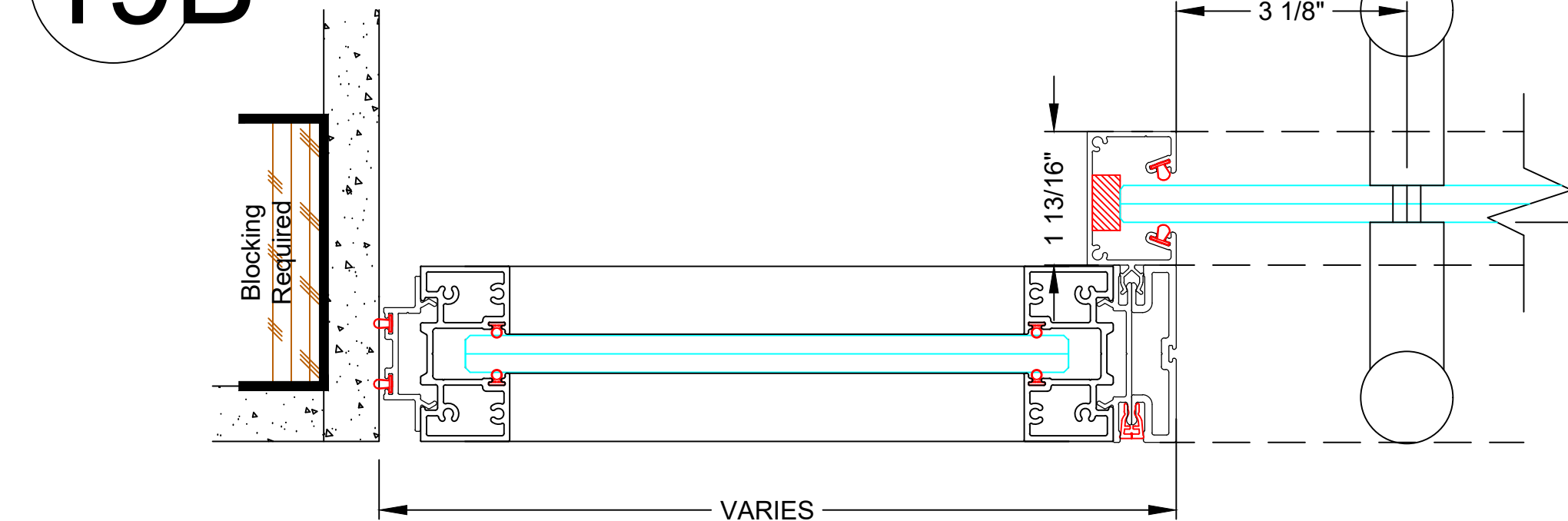
Panel to DF Seal
Glass Sliding Door

19A



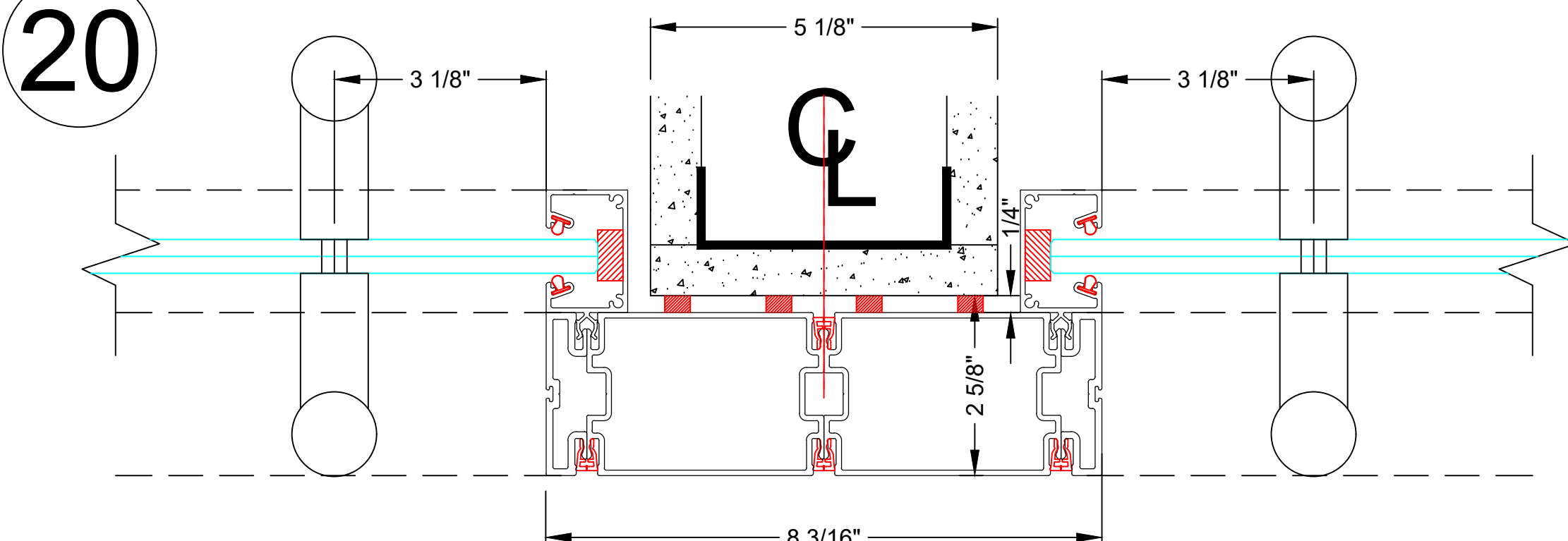
Receiver at Drywall
Glass Sliding Door

19B



Receiver at Drywall with Sidelight
Glass Sliding Door

20



Receiver at 5 1/8" Bypass
Glass Sliding Door

8
7
6
5
4
3
2
1

NO. DATE ISSUE/REVISION
CURRENT REVISION

0

DRAWING TITLE

DATE: December 2020
SCALE: 6" = 1'-0"
DRAWING REFERENCE:
PROJECT NO.:
PROJECT LEADER:
CAD DRAFTER:
CHECKED BY:
CAD FILE NAME:

DRAWING NO.

2

SHEET NO.