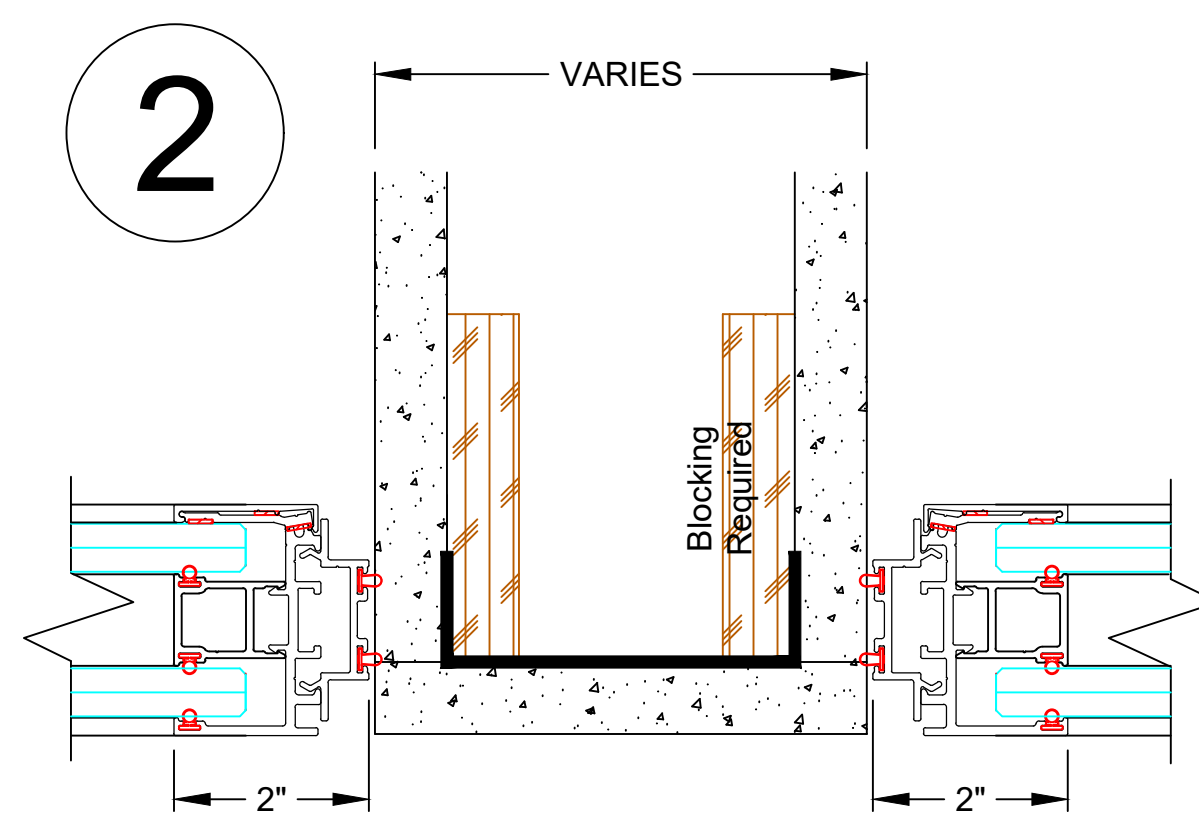
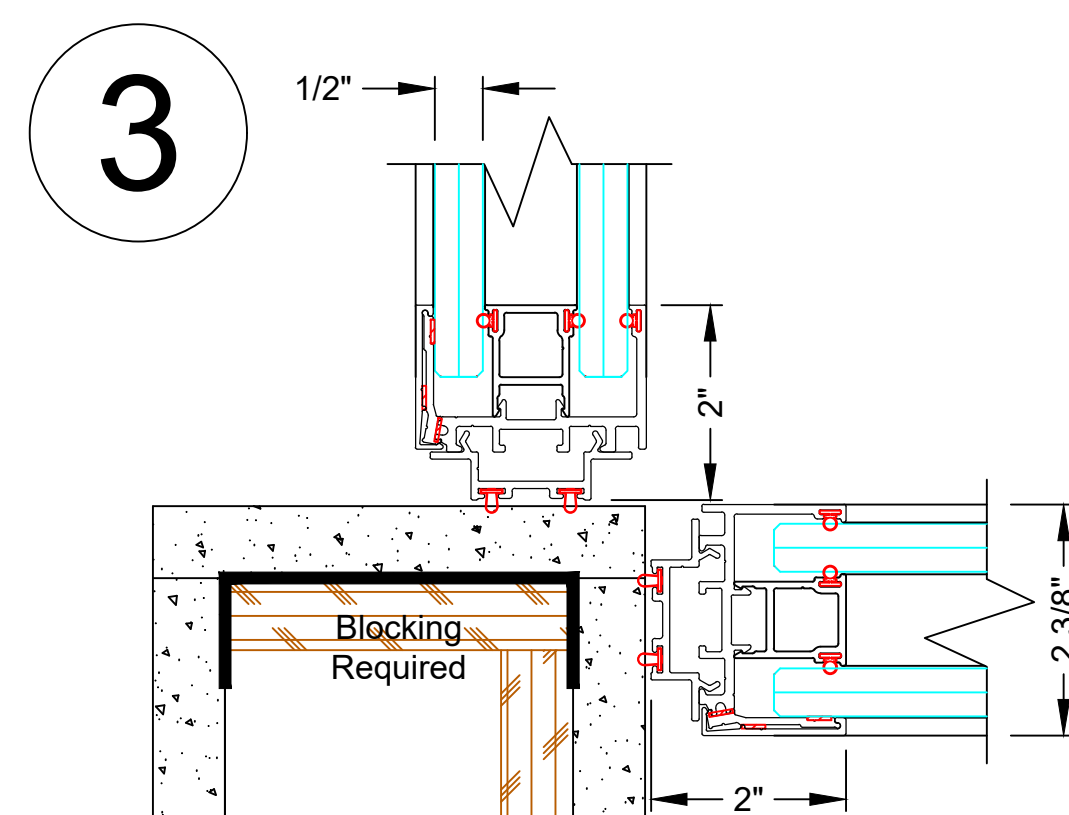


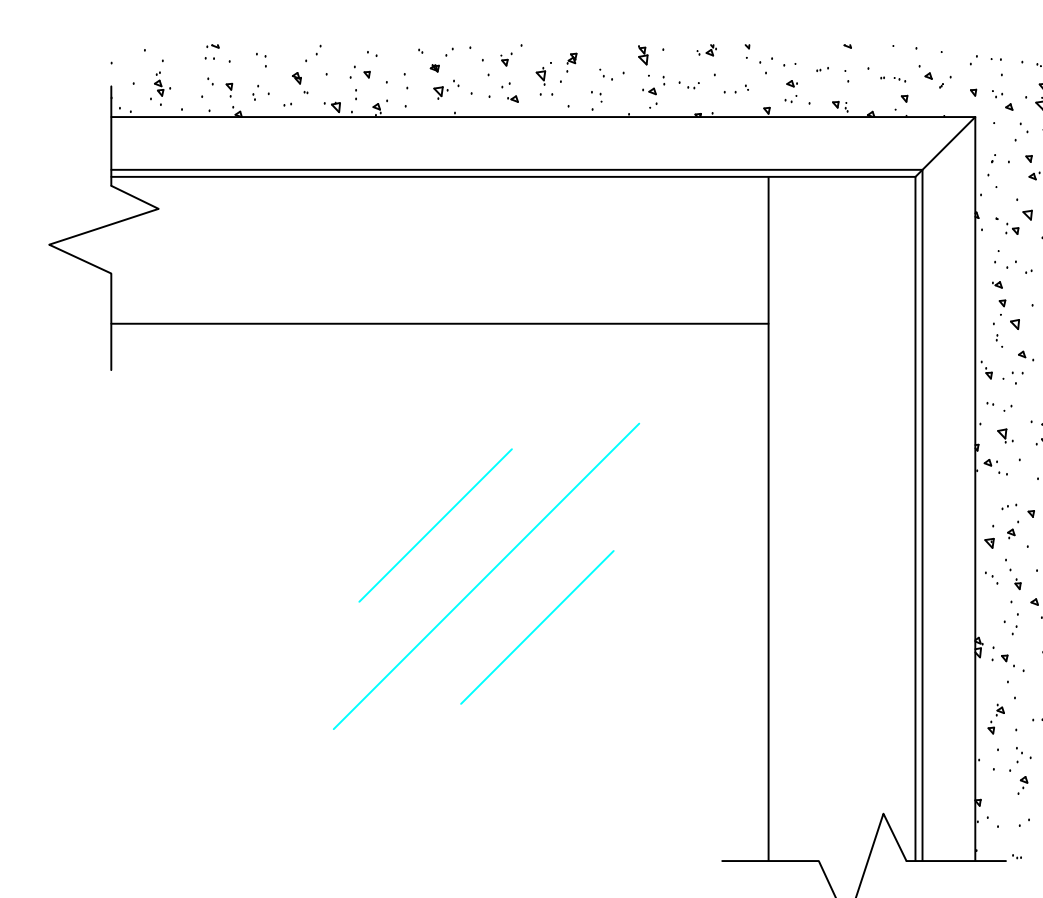
Wall Start



Wall Start at Demising Wall

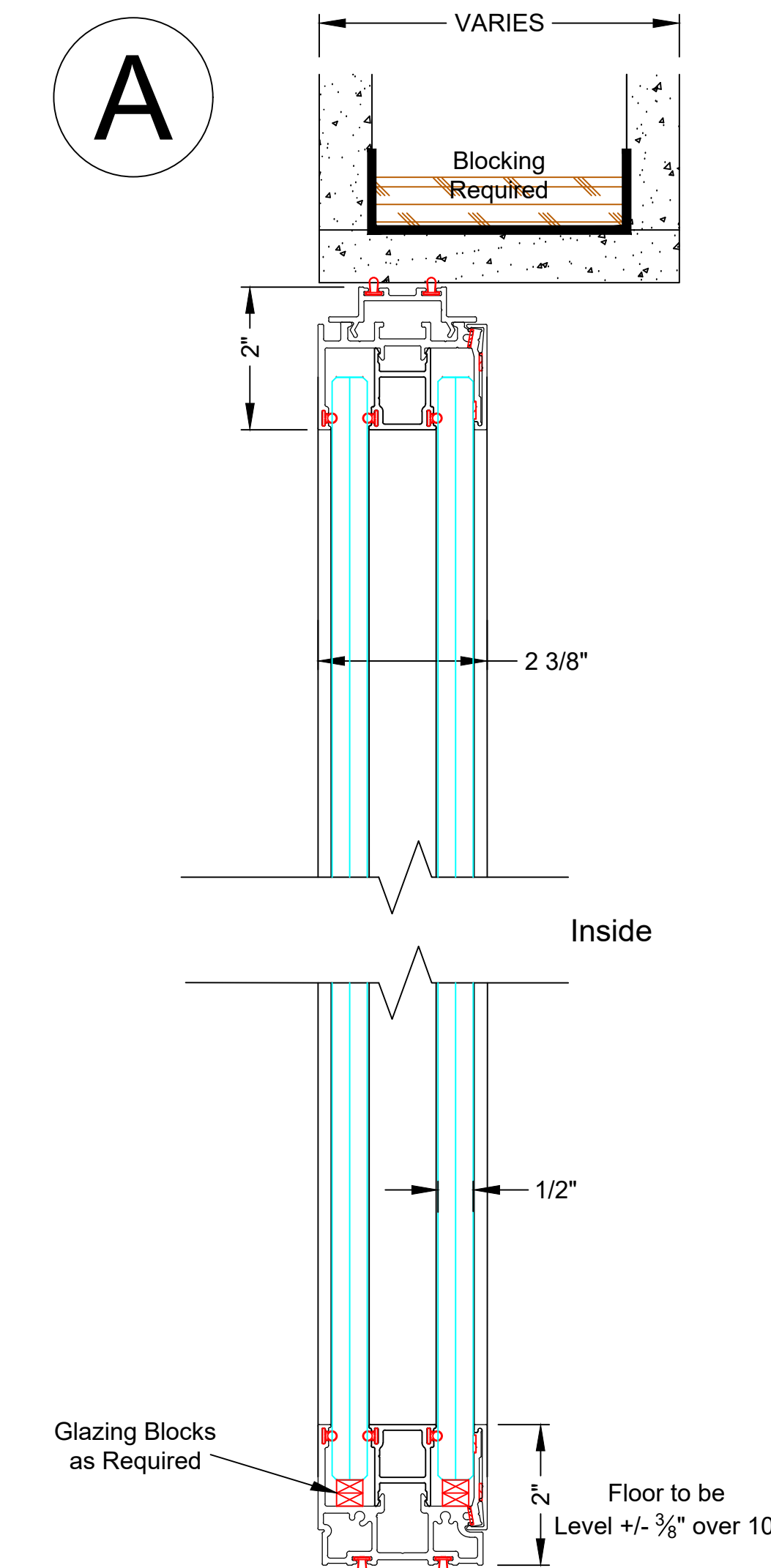


Wall Start at Drywall Corner

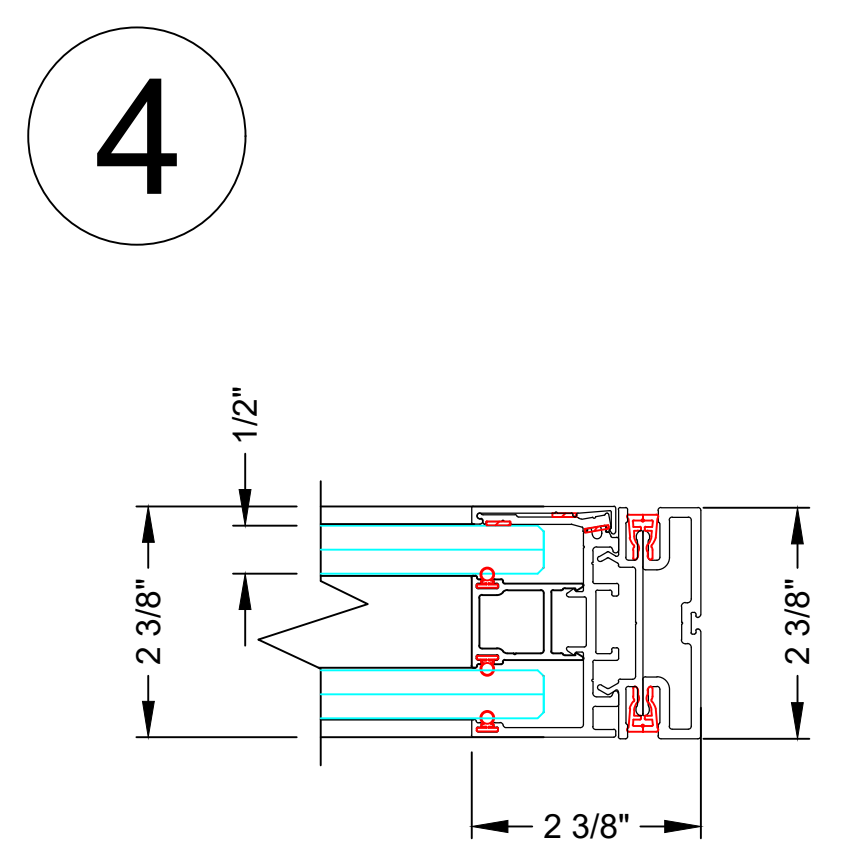


Wall Start to Ceiling Track Elevation

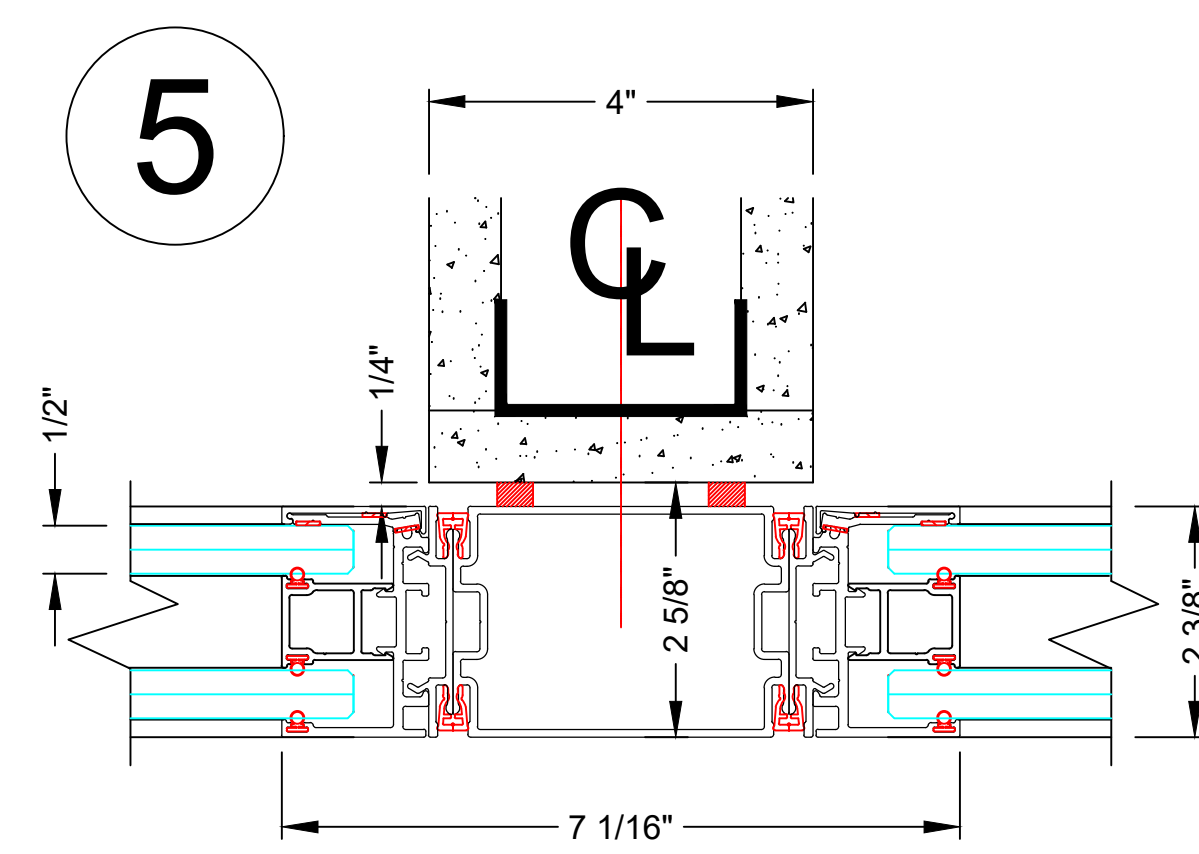
Note : System shown flush to corridor side of soffit and sheetrock wall. System can also be setback or centered if so desired. Blocking required either way.



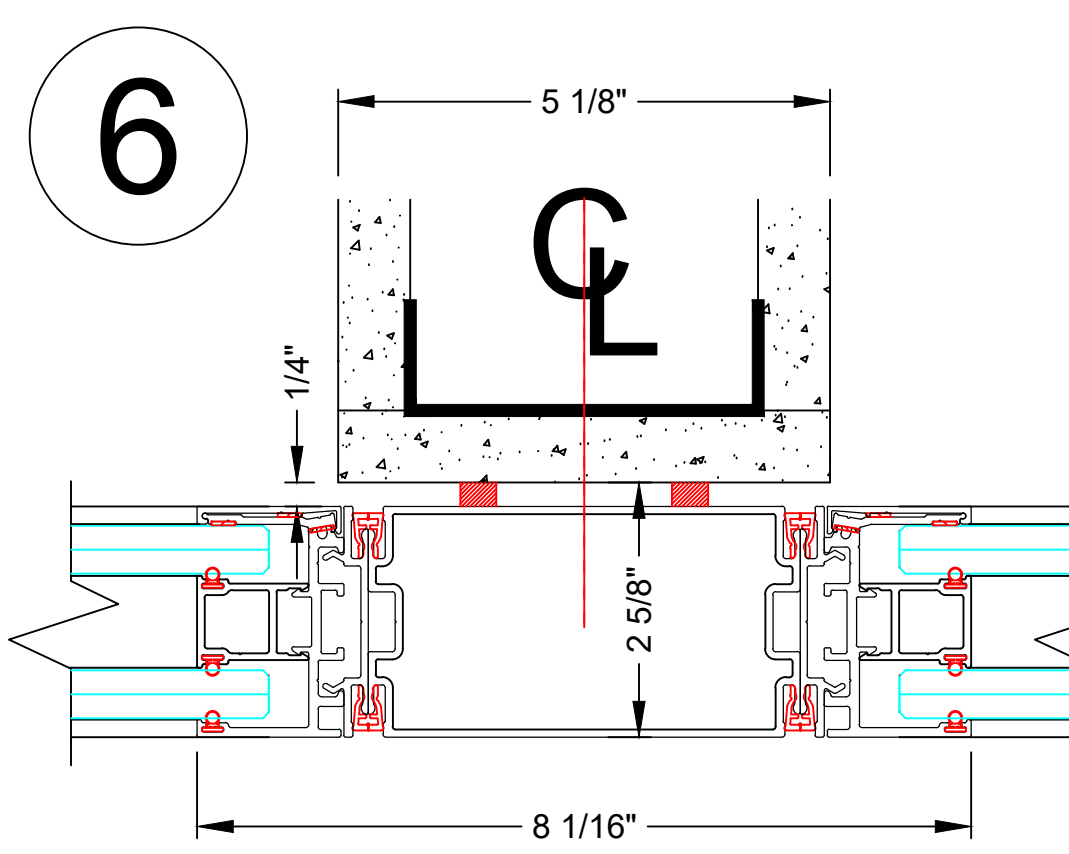
Glass Panel Vertical Section



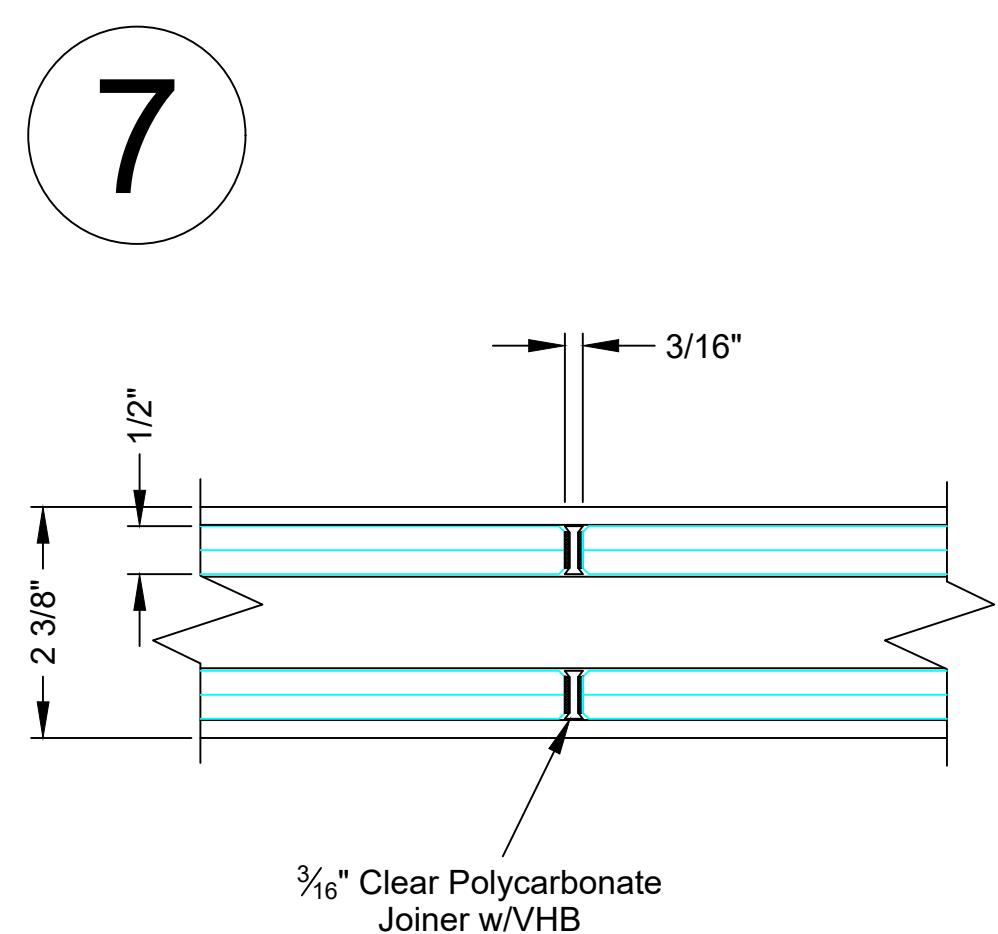
Finished End



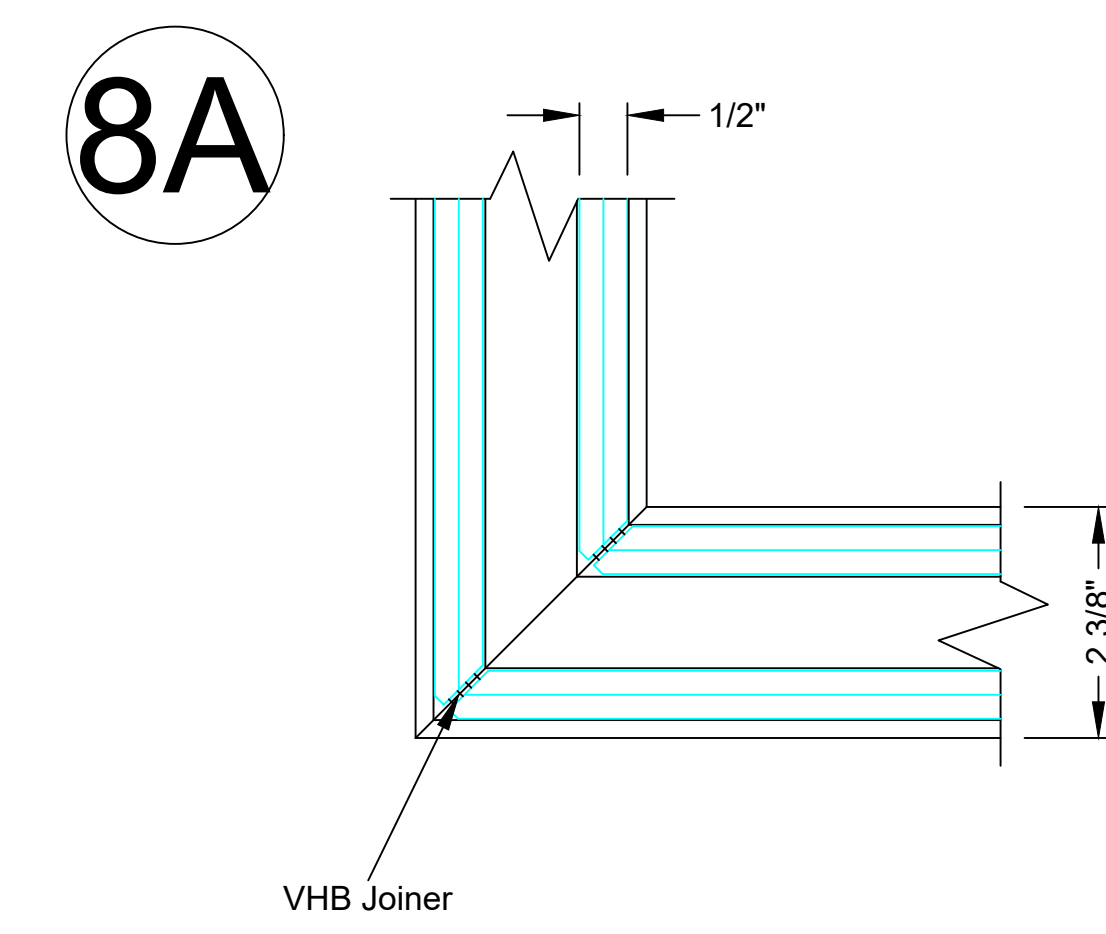
3" In-Line Post at 4" Drywall Bypass



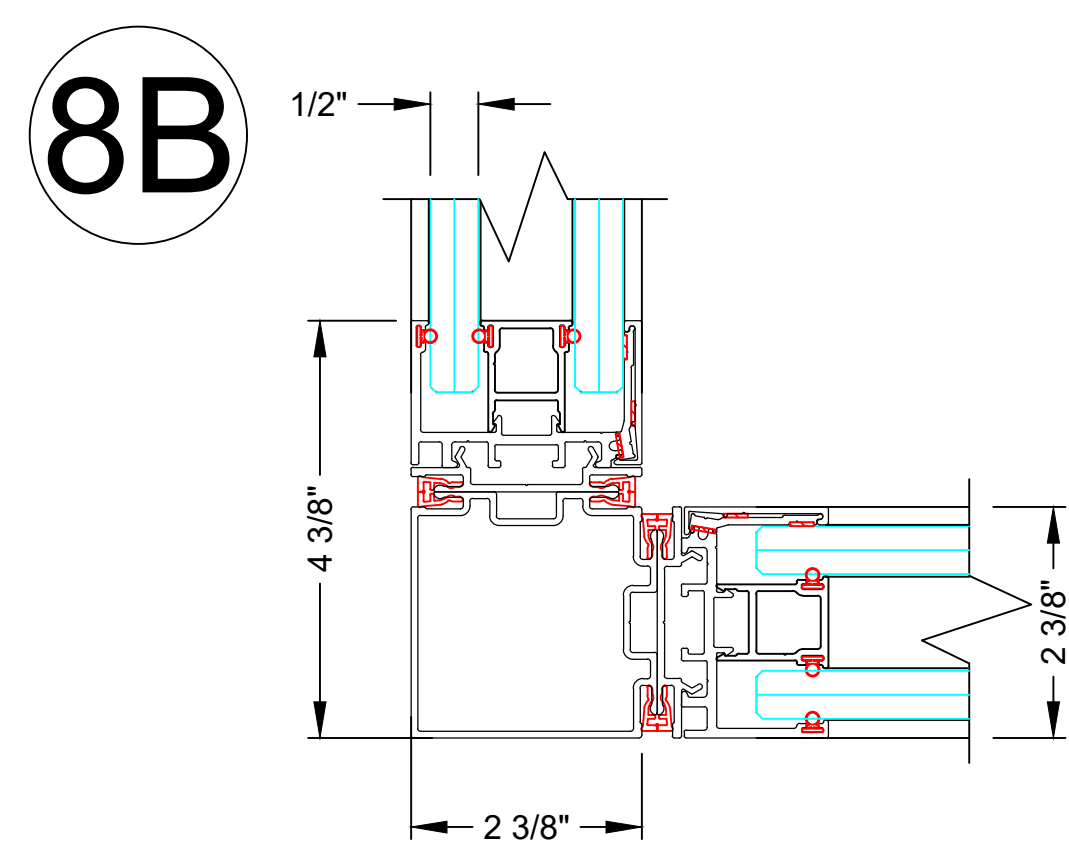
4" In-Line Post at 5 1/8" Drywall Bypass



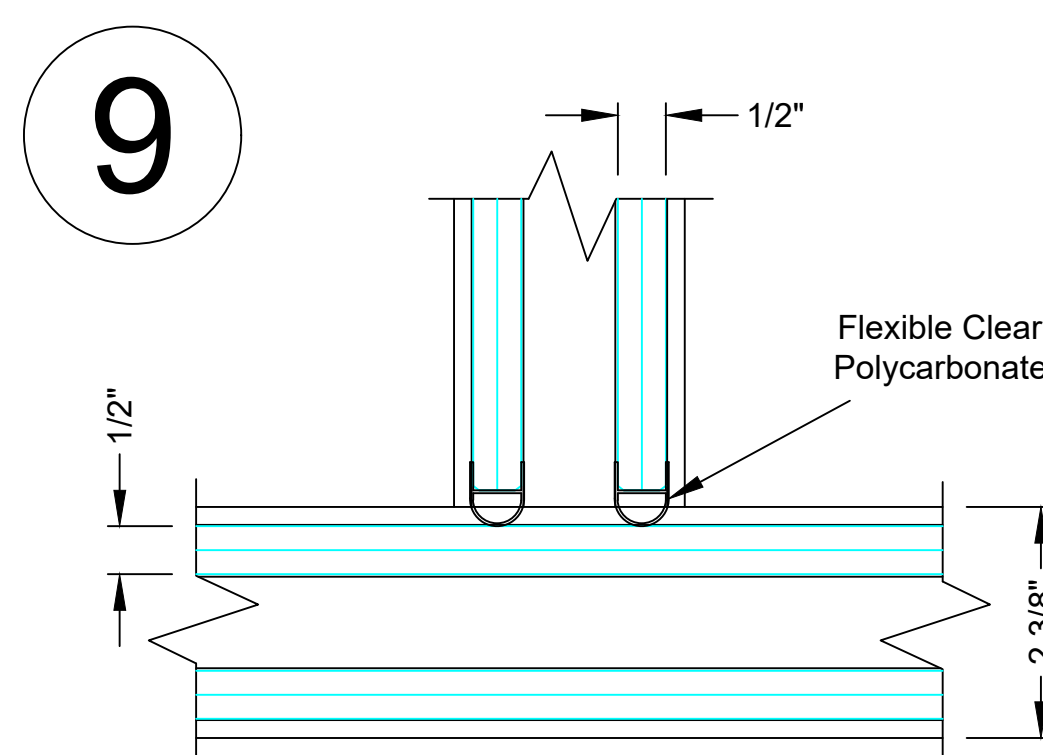
Butt Glazed Glass Connection



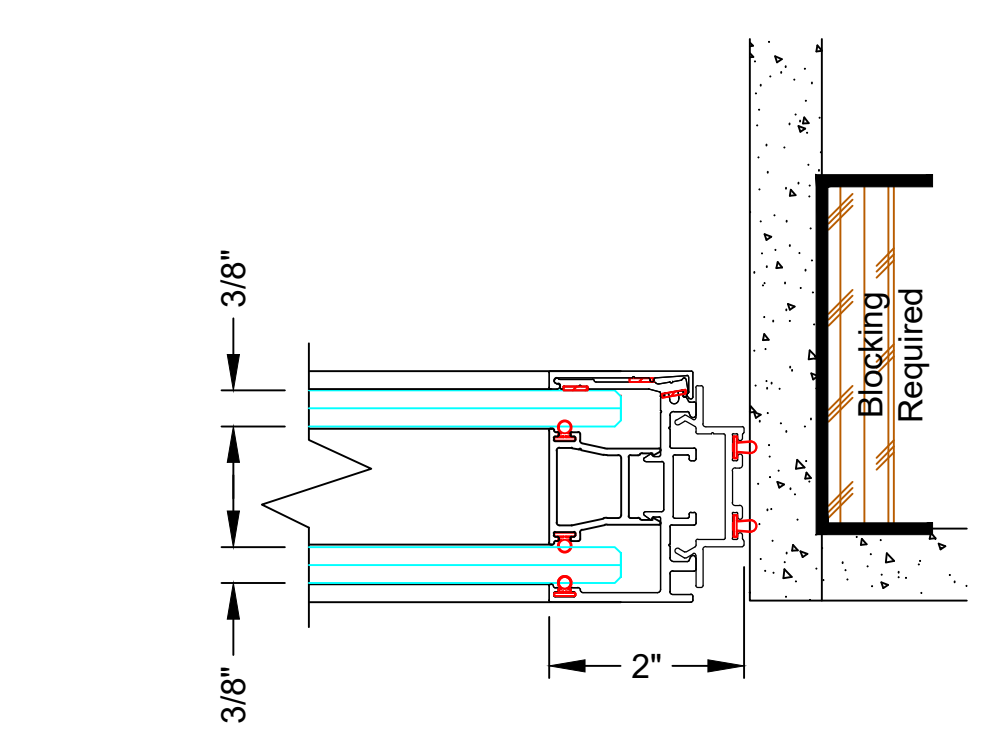
Butt Glazed Corner Connection



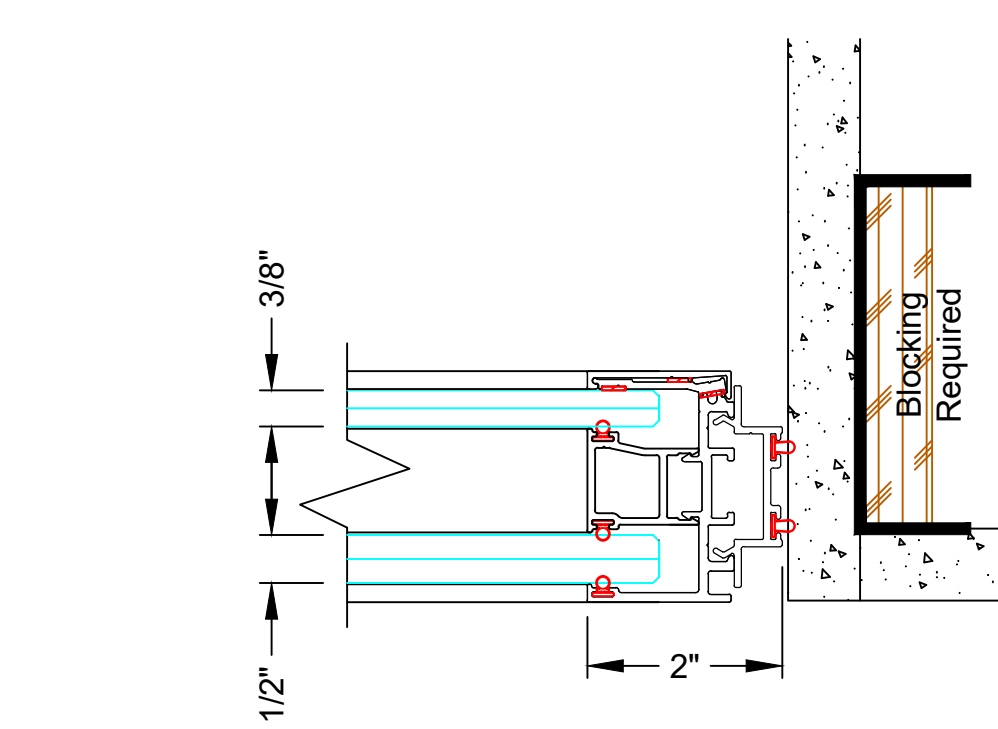
2-Way Post



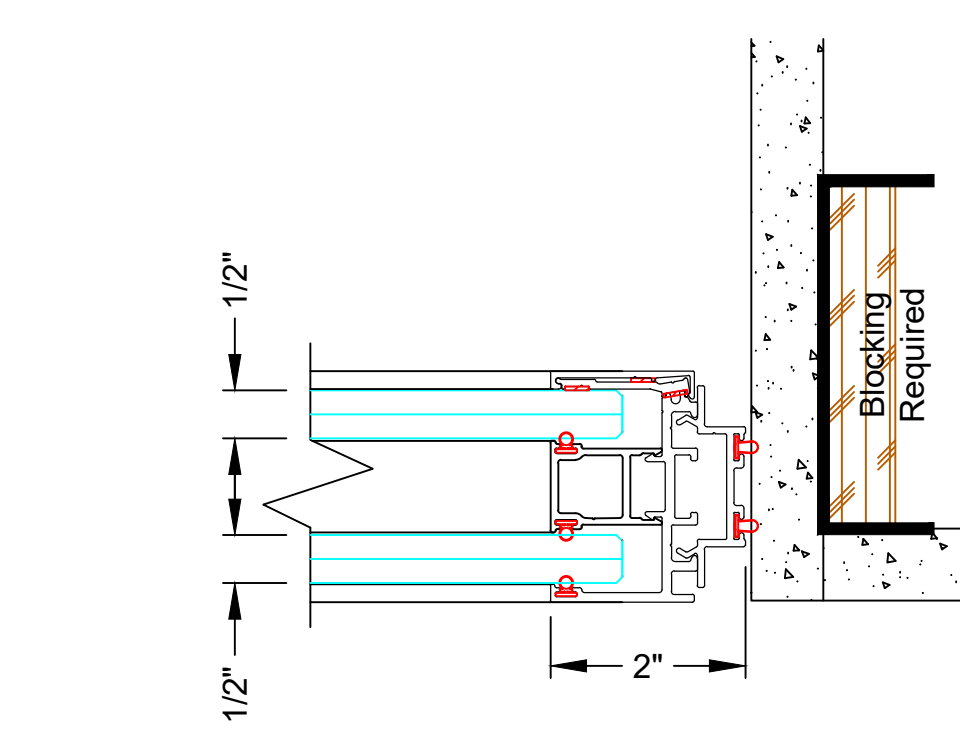
Butt Glazed 3-Way Connection



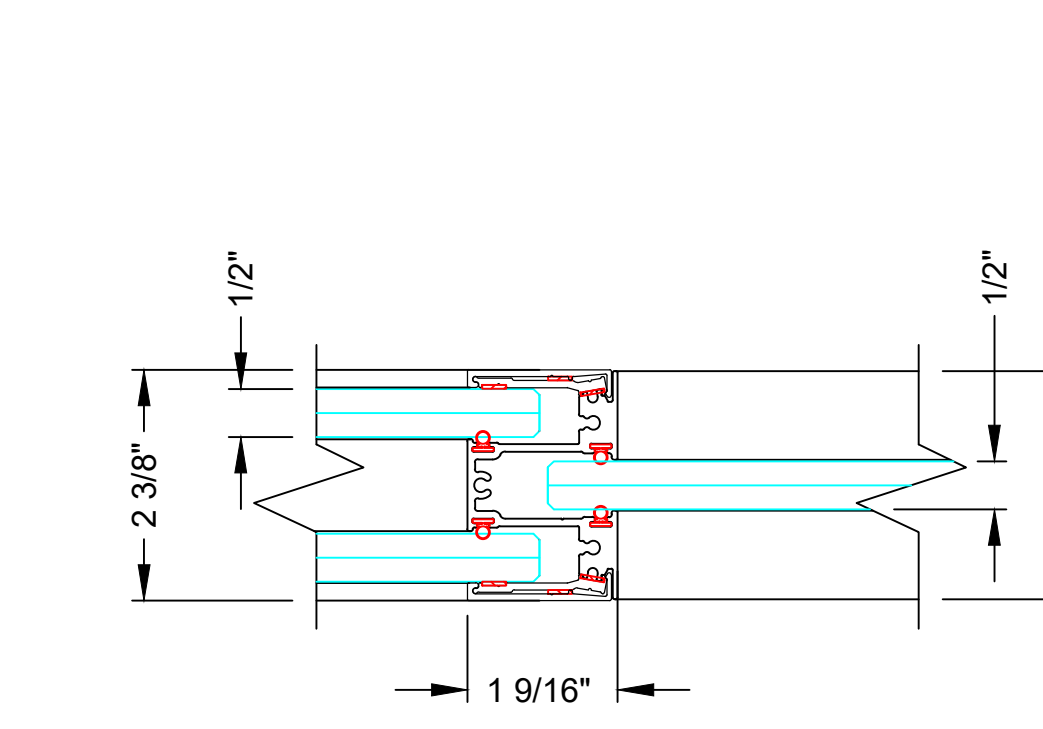
Both Lites 3/8" Glass



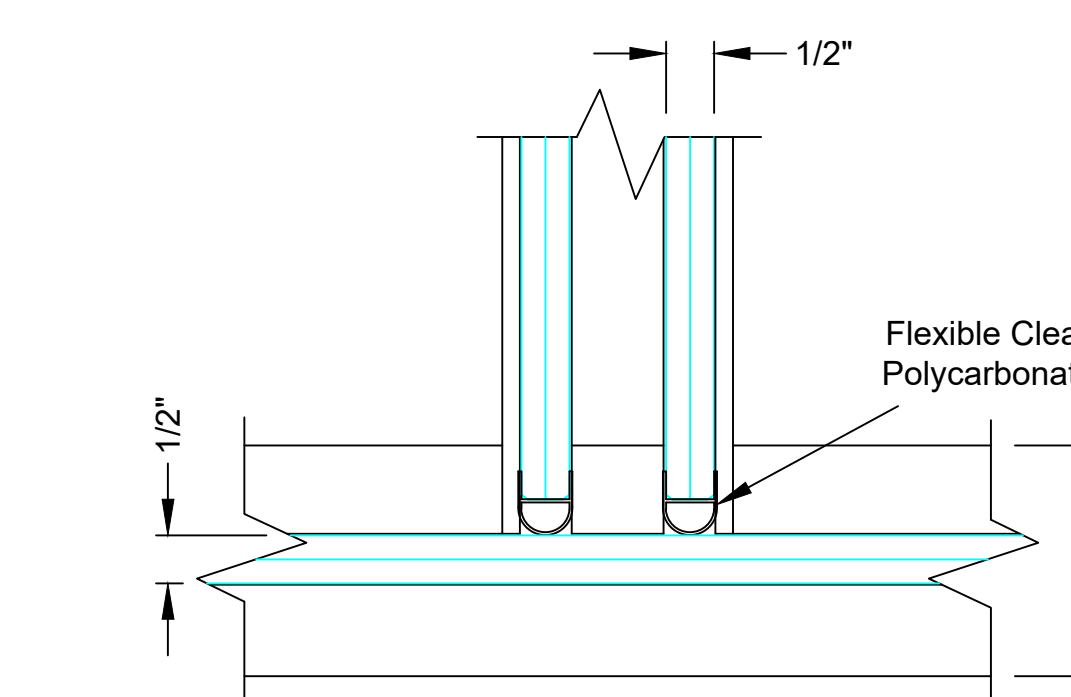
One Lite 3/8" Glass
One Lite 1/2" Glass



Both Lites 1/2" Glass

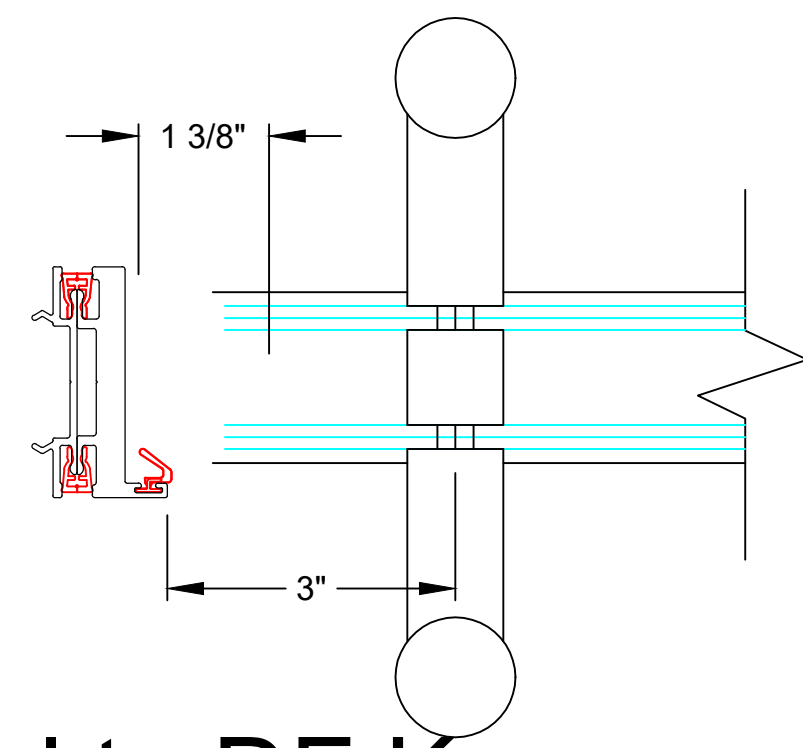


Double Glazed to Single Glazed Connection



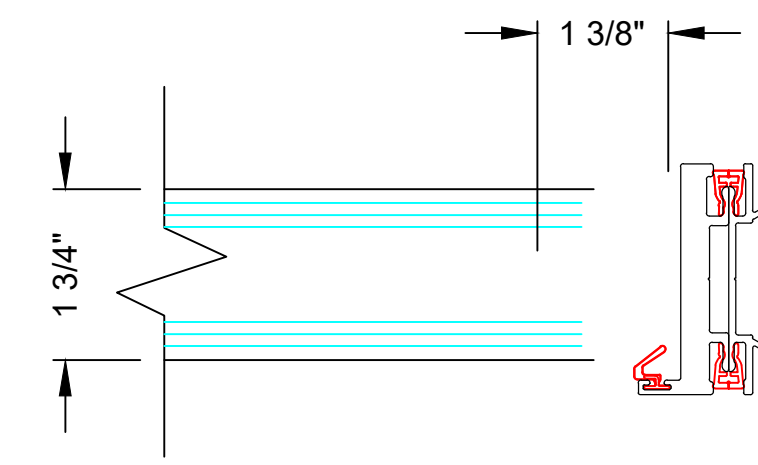
Single Glazed Front with Double Glazed Return

21A



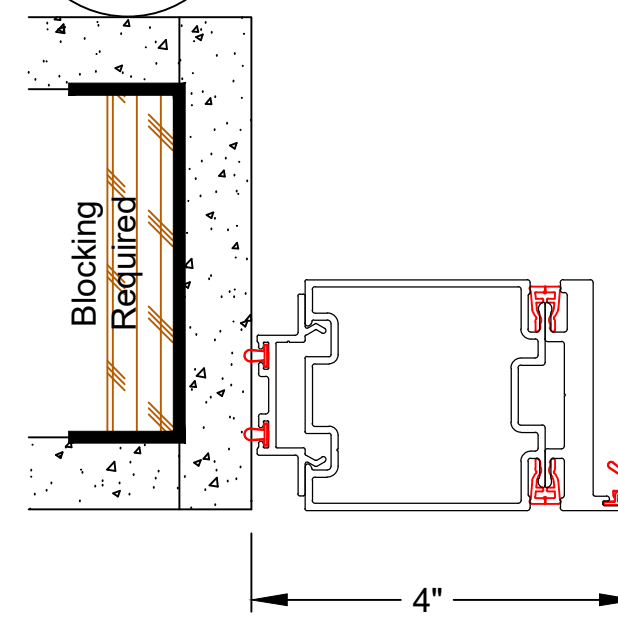
Panel to DF Keeper
Double Glazed Hinge Dr

22



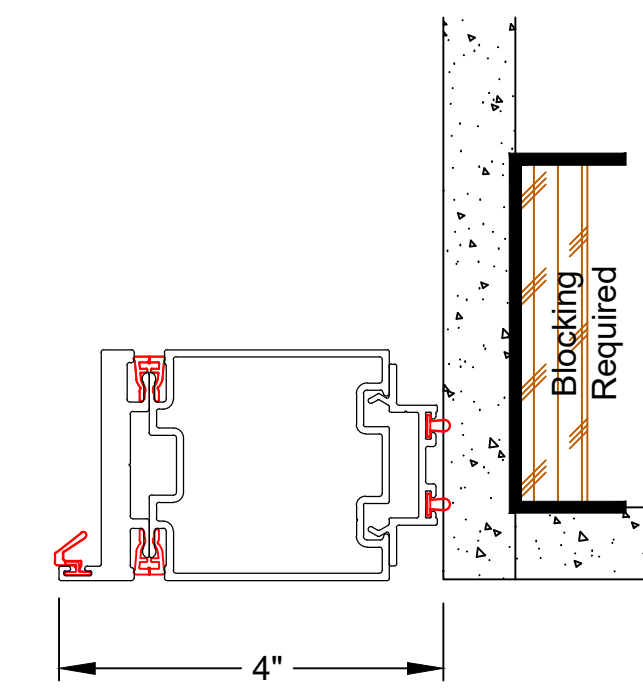
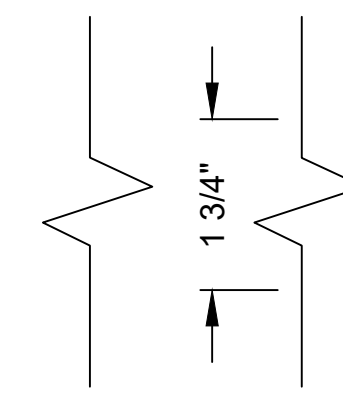
Panel to DF Hinge
Double Glazed Hinge Dr

23



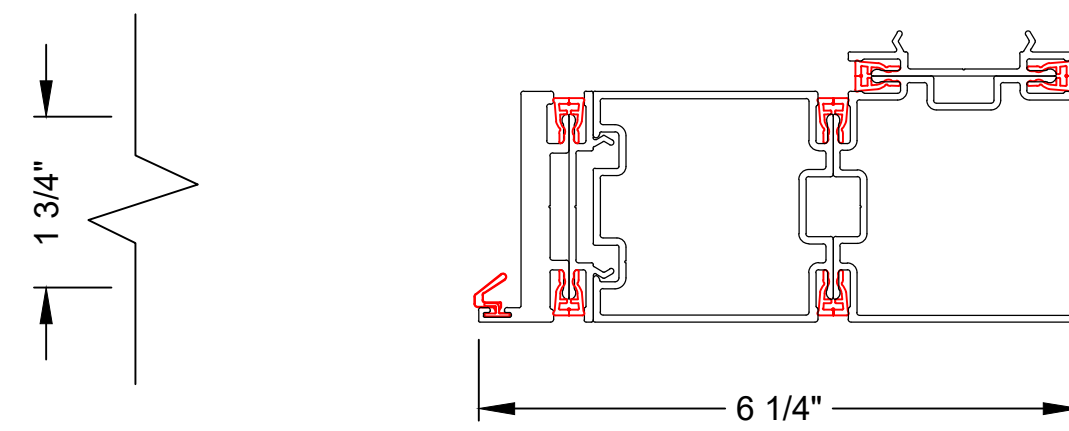
DF Keeper at Drywall
Double Glazed Hinge Dr

24A



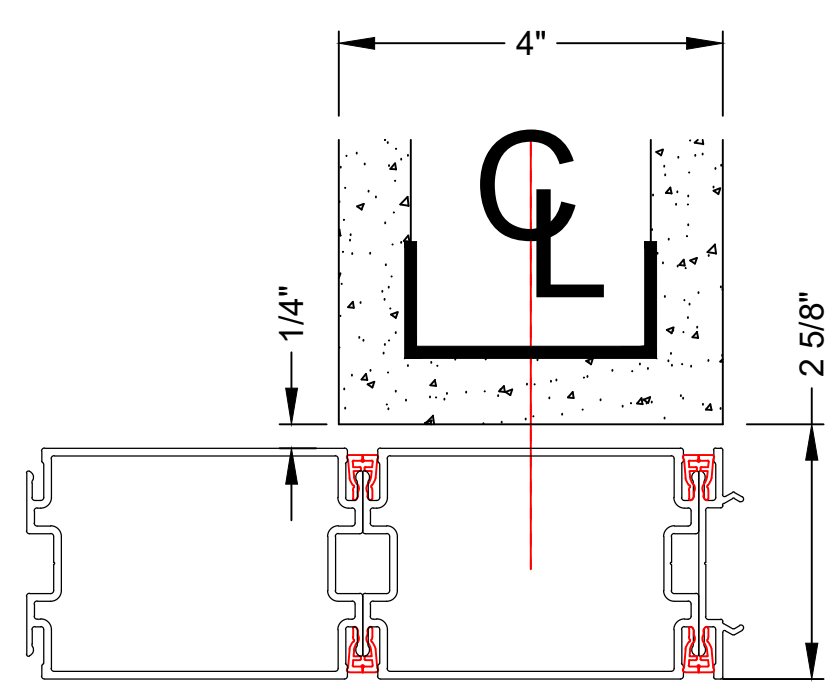
DF Hinge at Drywall
Double Glazed Hinge Dr

25A



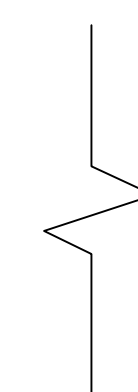
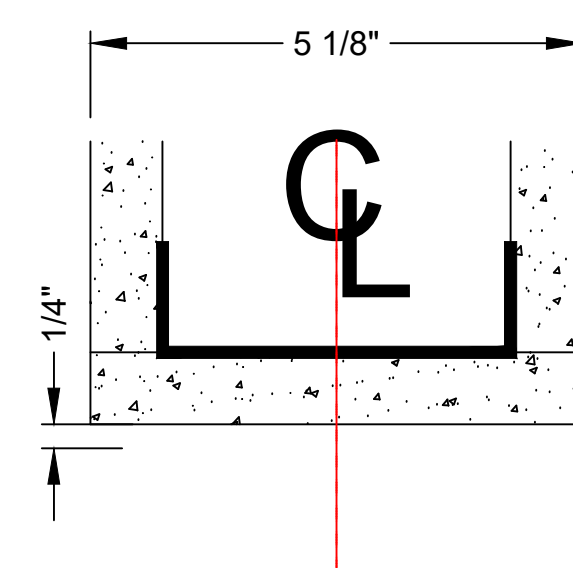
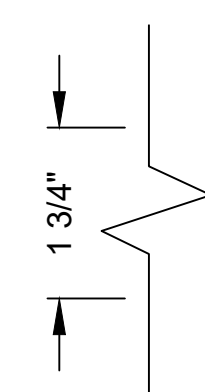
DF Hinge at 2-Way Post
Double Glazed Hinge Dr

26



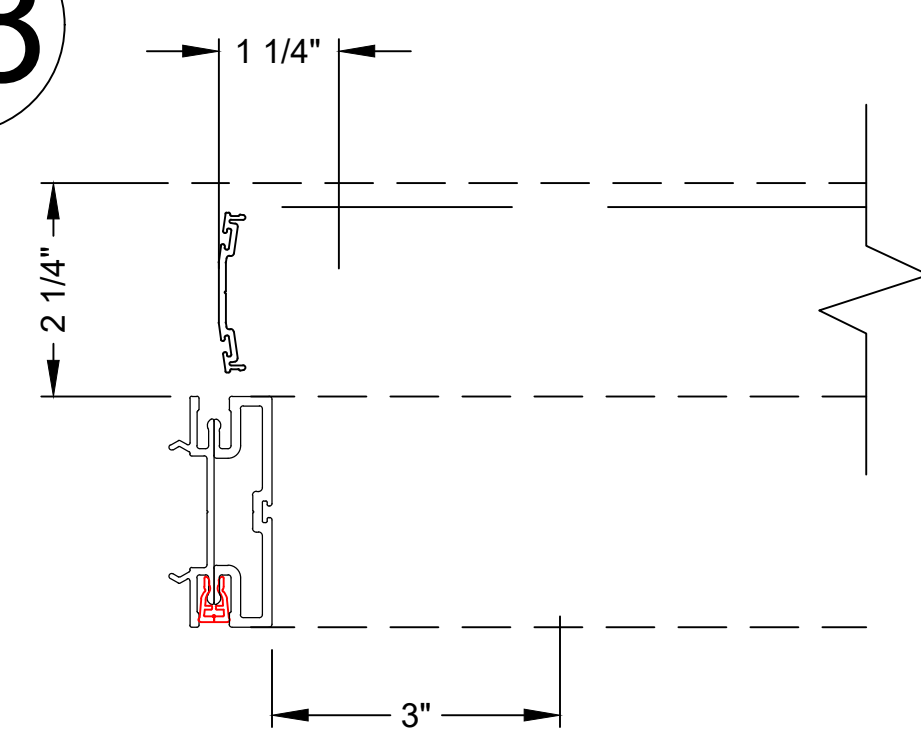
DF Hinge at 4" Bypass
Double Glazed Hinge Door

27



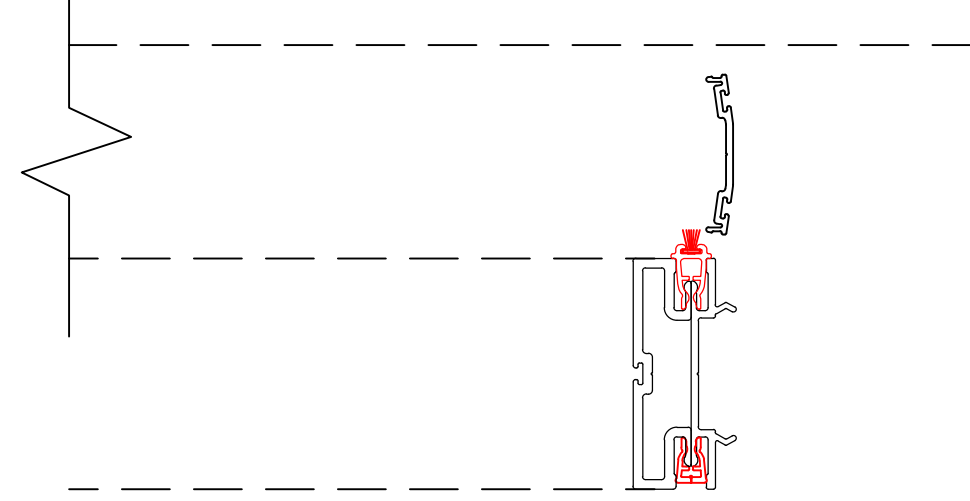
DF Hinge at 5 1/8" Bypass Glass
Back to Back Double Glazed Hinge Doors

28



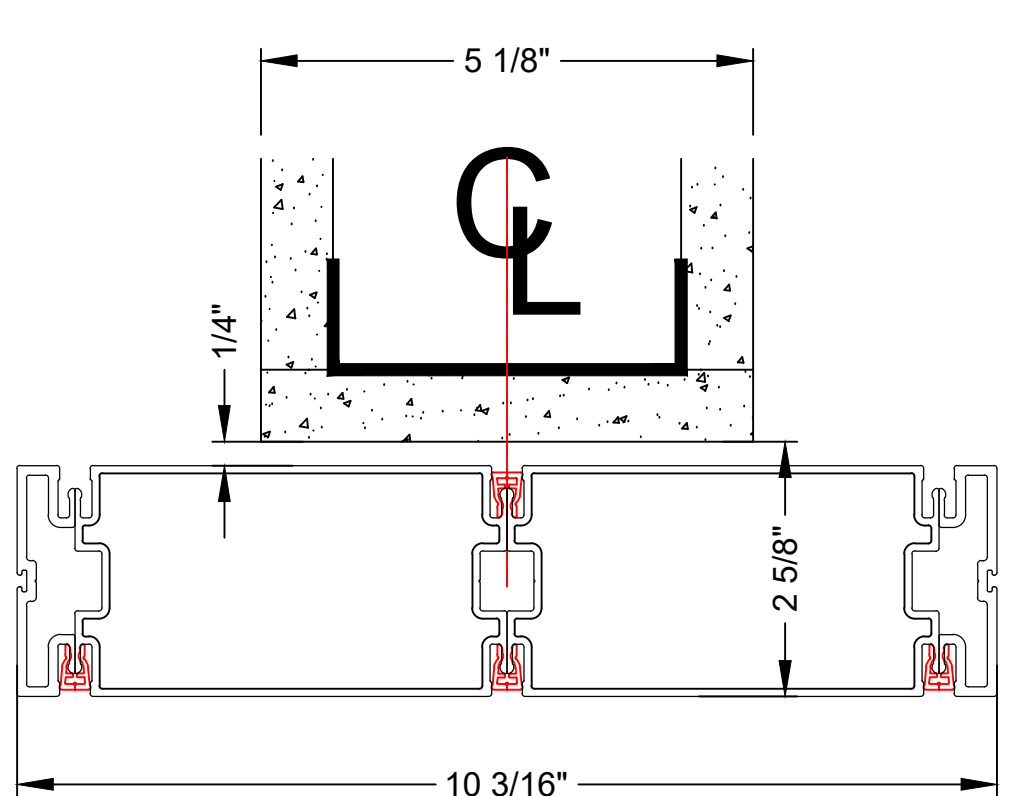
Panel to DF Receiver
Double Glazed Slider

29

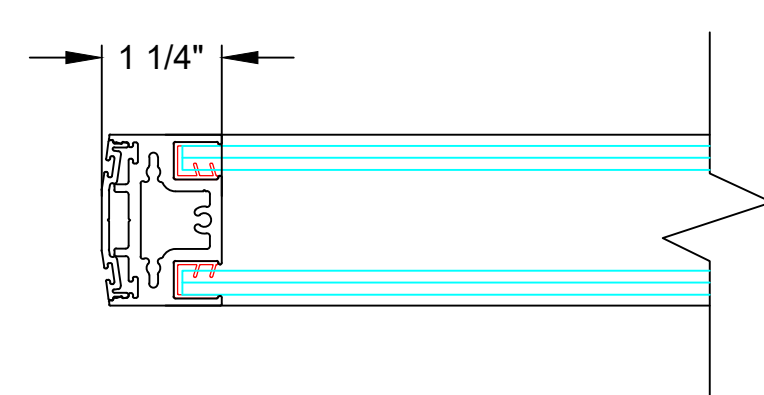


Panel to DF Seal
Double Glazed Slider

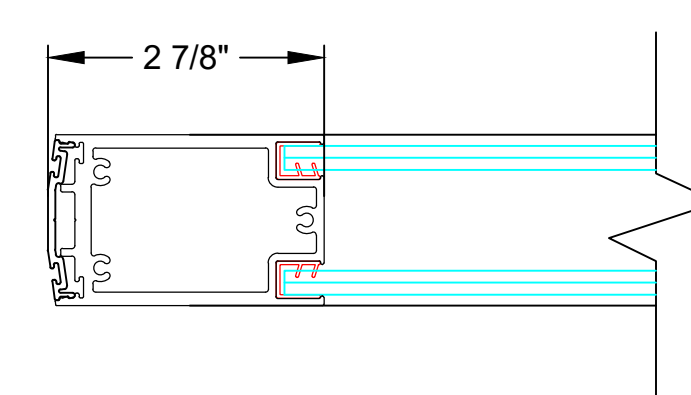
31



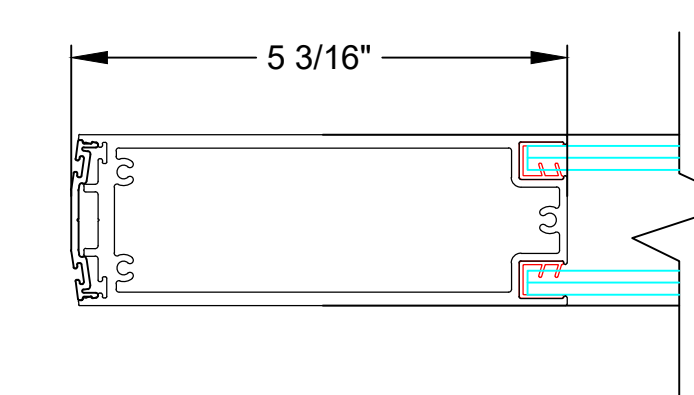
DF Receiver at 5 1/8" Bypass Glass
Back to Back Double Glazed Sliders



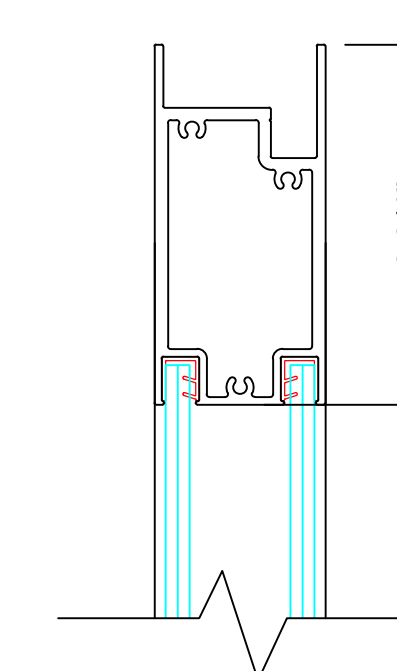
1" Door Stile or Rail



3" Door Stile or Rail

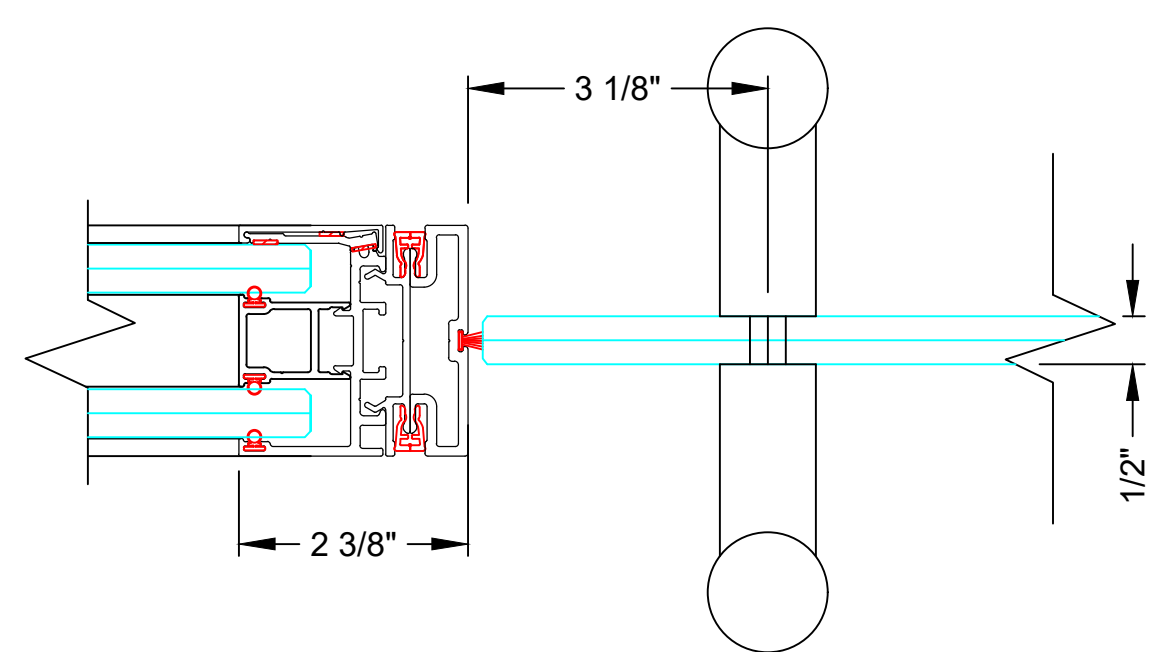


5" Door Stile or Rail



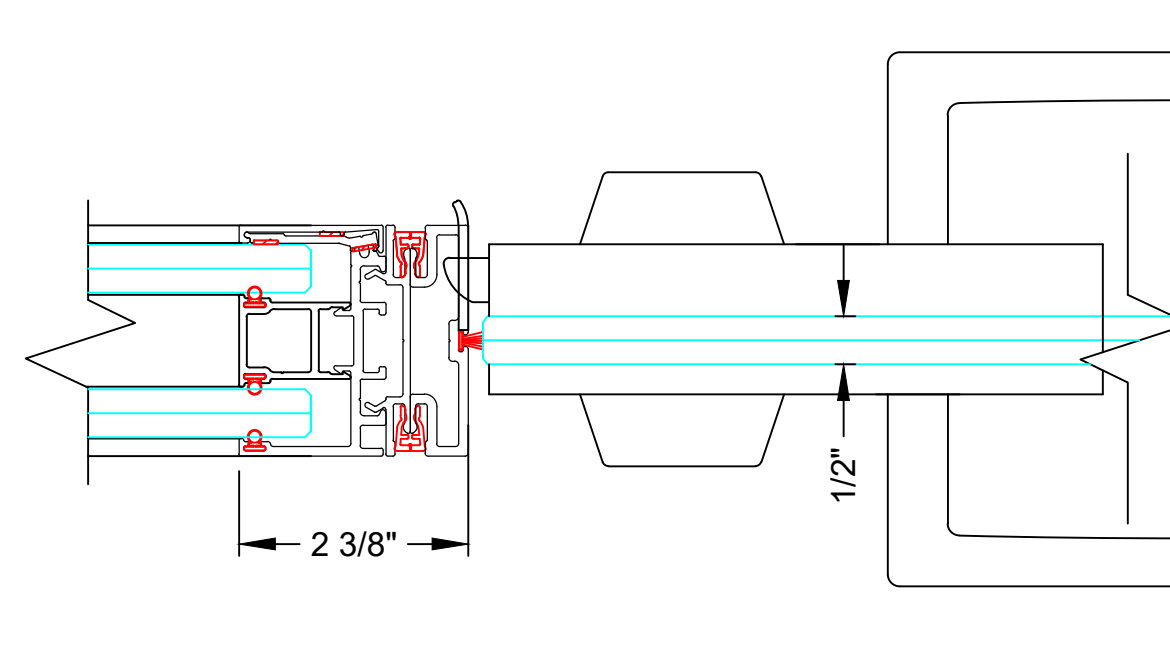
3 3/4" Door Rail

10A



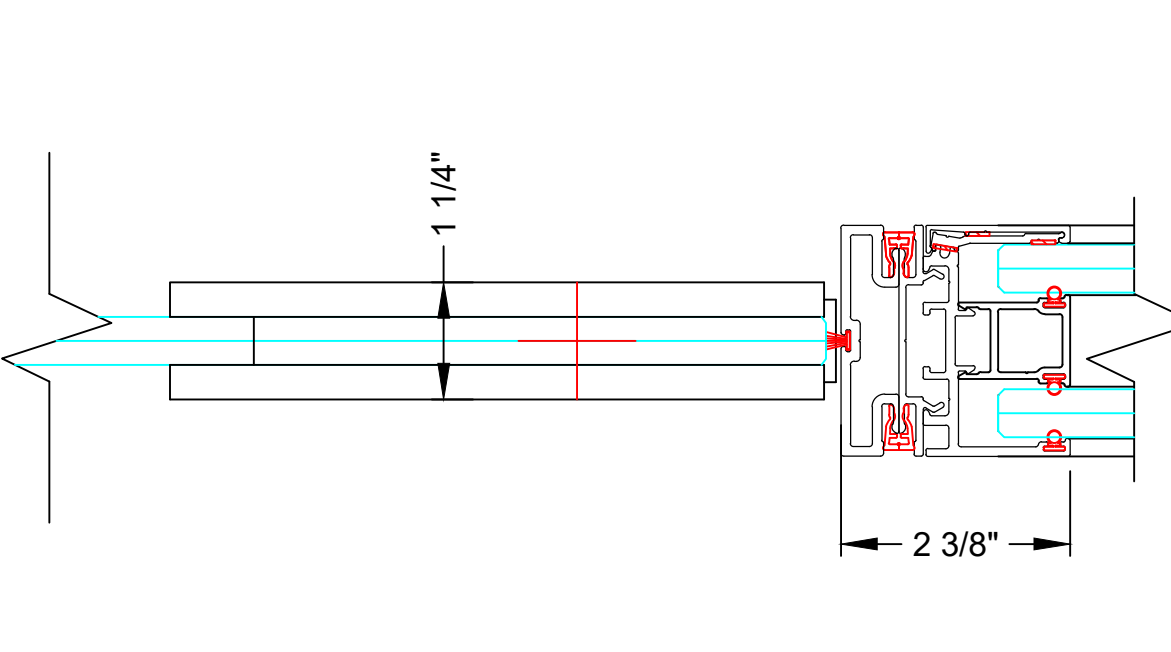
Panel to DF Keeper Glass Pivot Door

10B



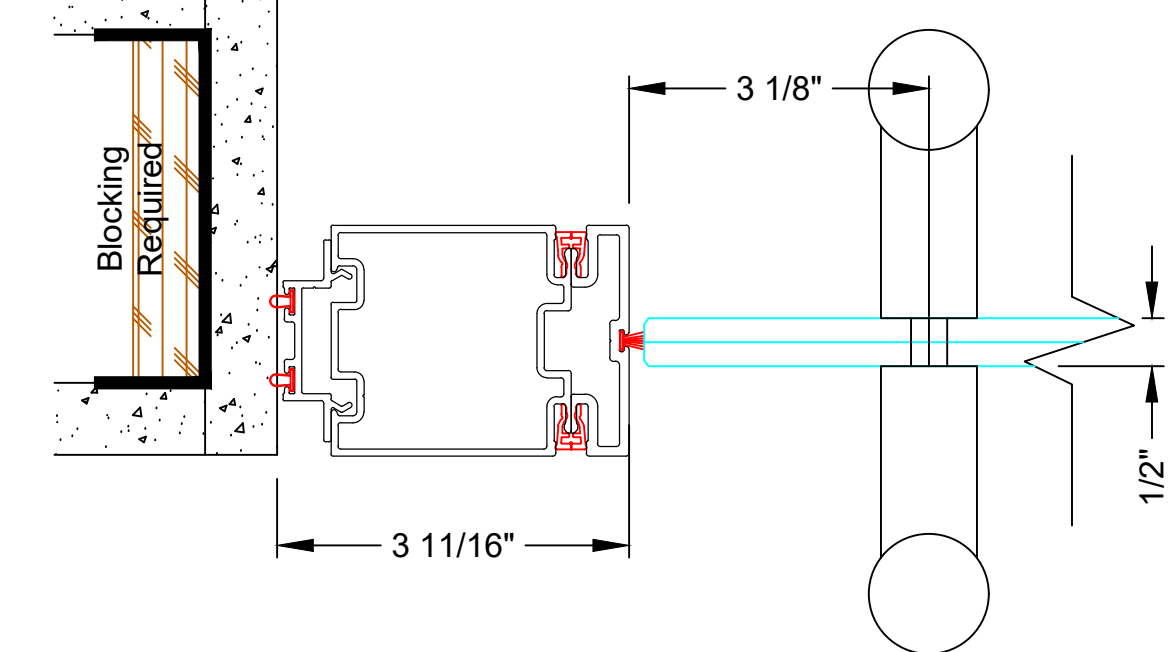
Panel to DF Keeper Glass Pivot Door

11



Panel to DF Pivot Glass Pivot Door

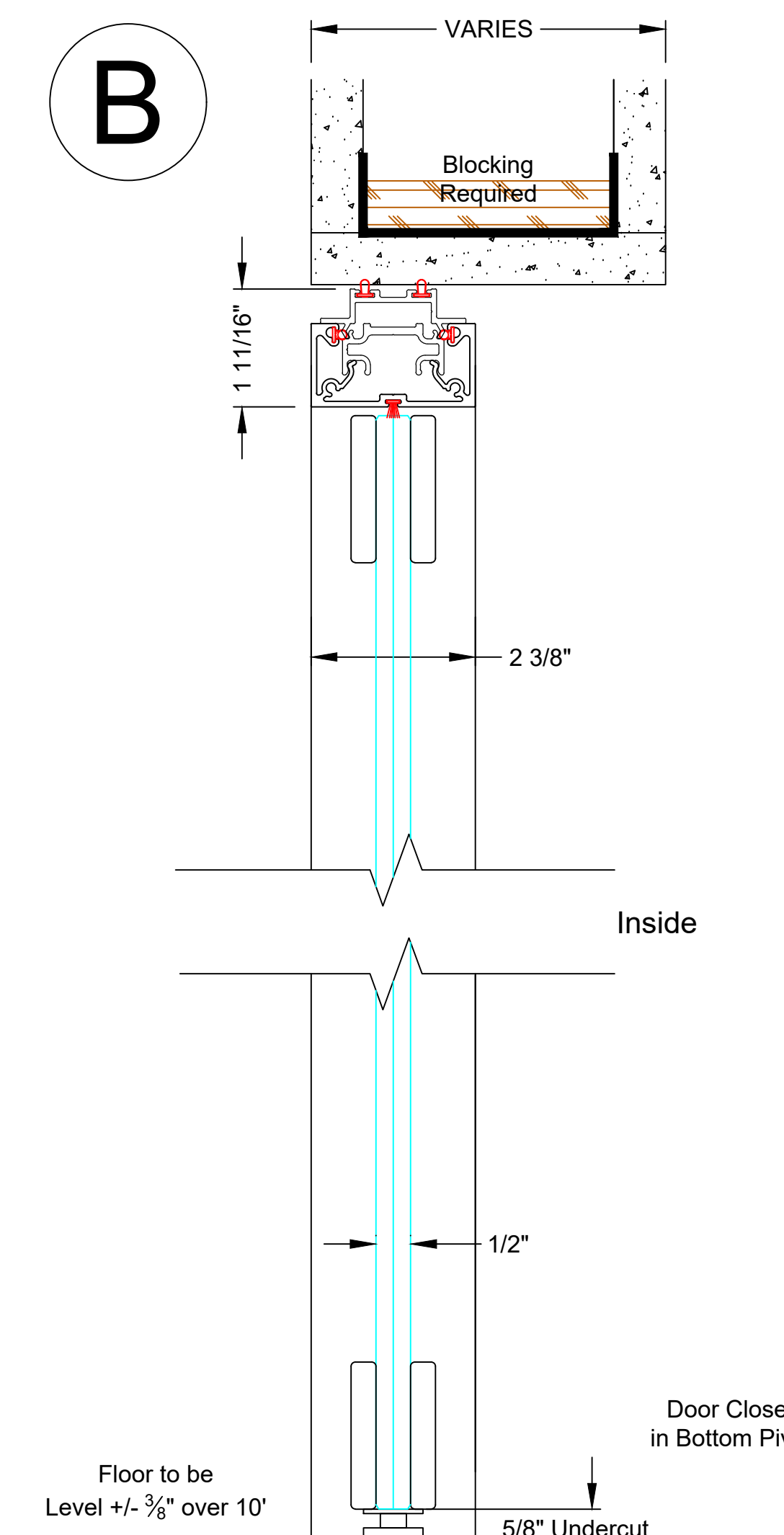
12



DF Keeper at Drywall Glass Pivot Door

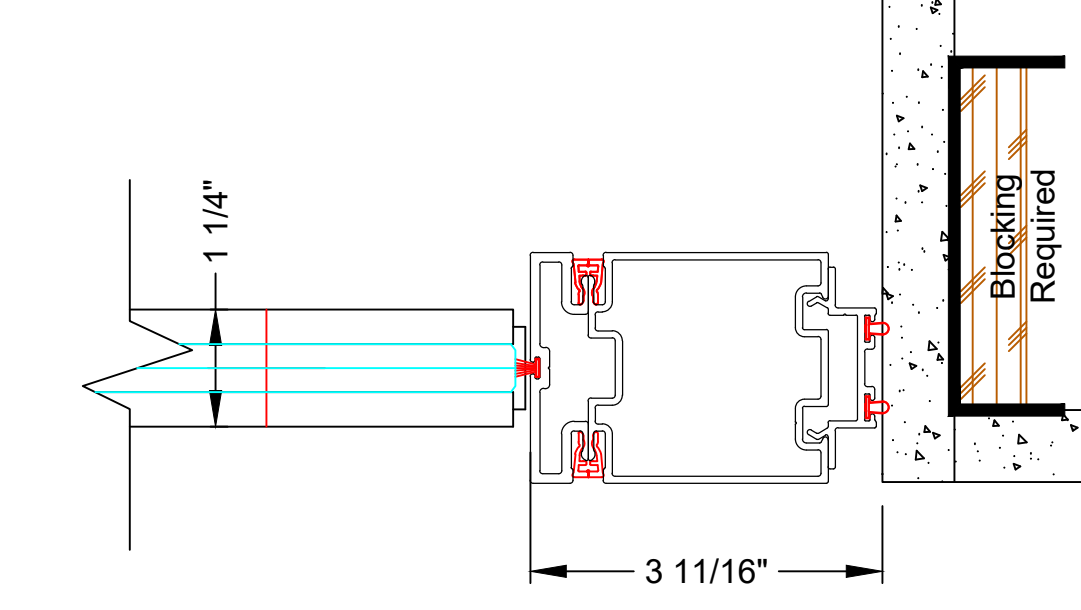
Note : System shown flush to corridor side of soffit and sheetrock wall. System can also be setback or centered if so desired. Blocking required either way.

B



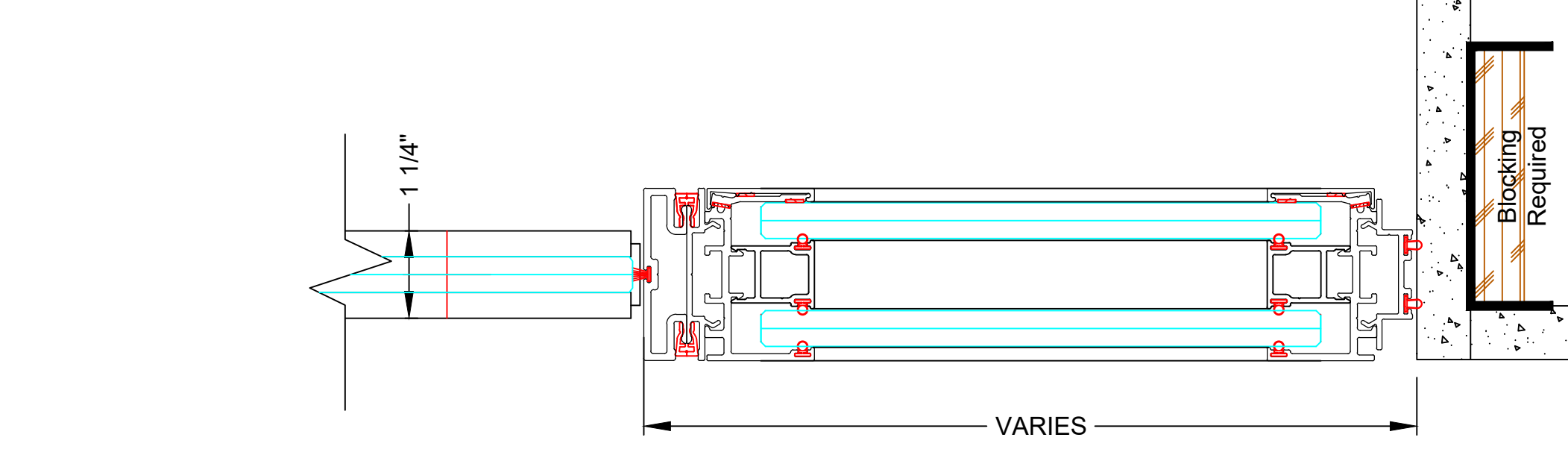
Glass Pivot Door Vertical Section

13A



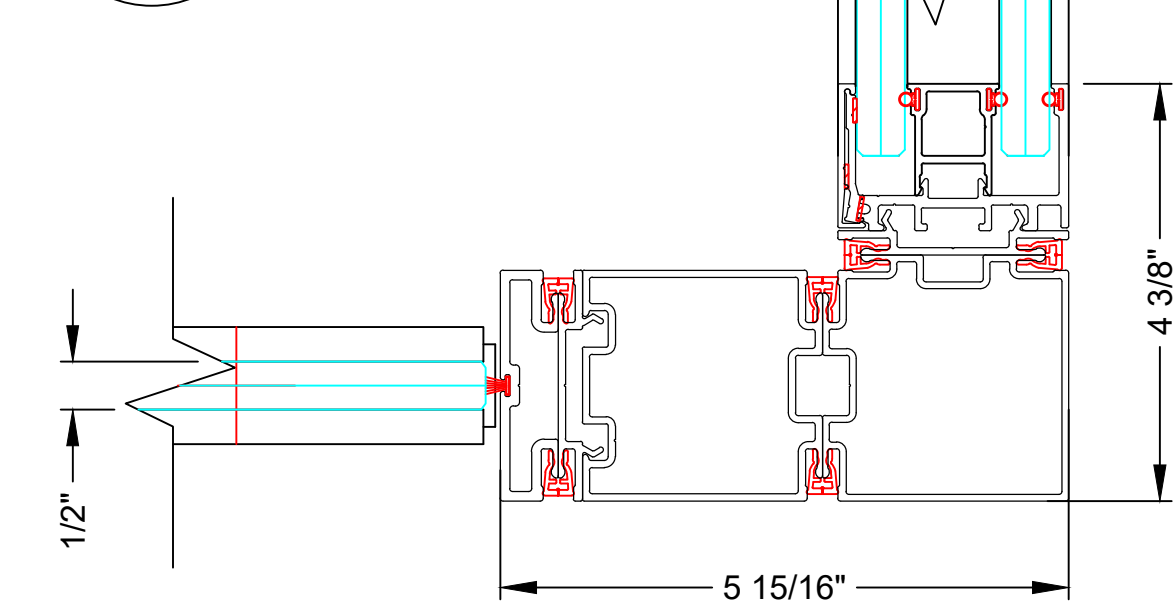
DF Pivot at Drywall Glass Pivot Door

13B



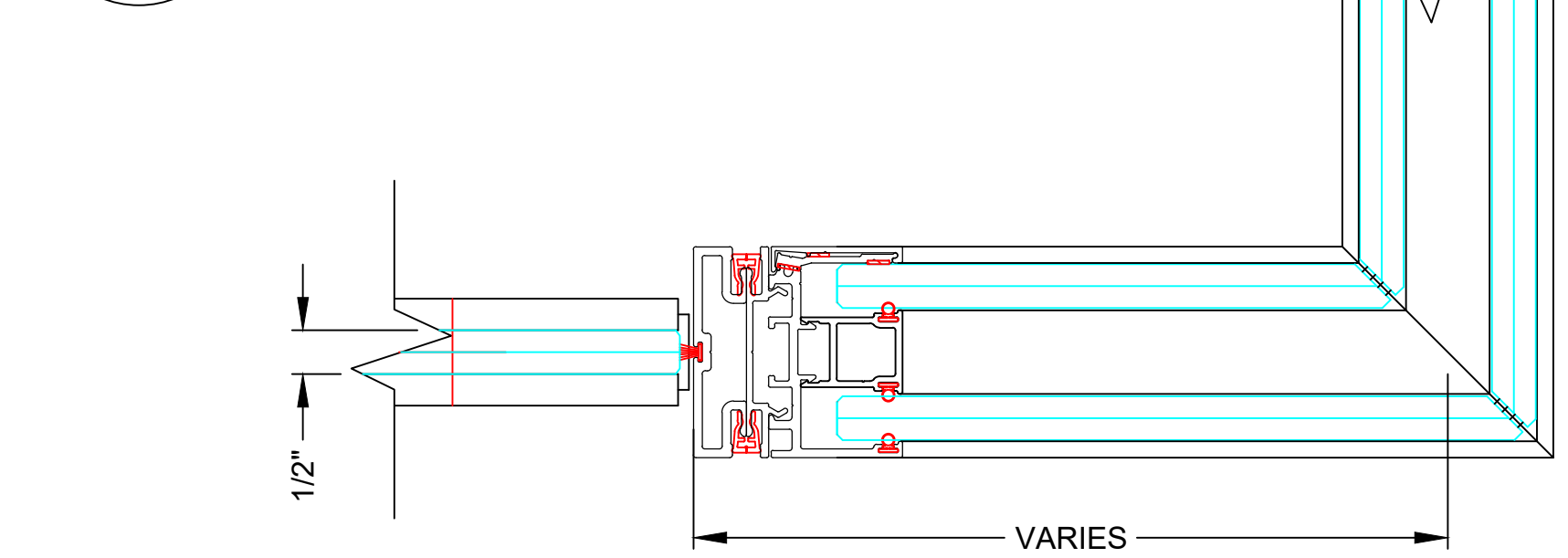
DF Pivot at Drywall with Sidelight Glass Pivot Door

14A



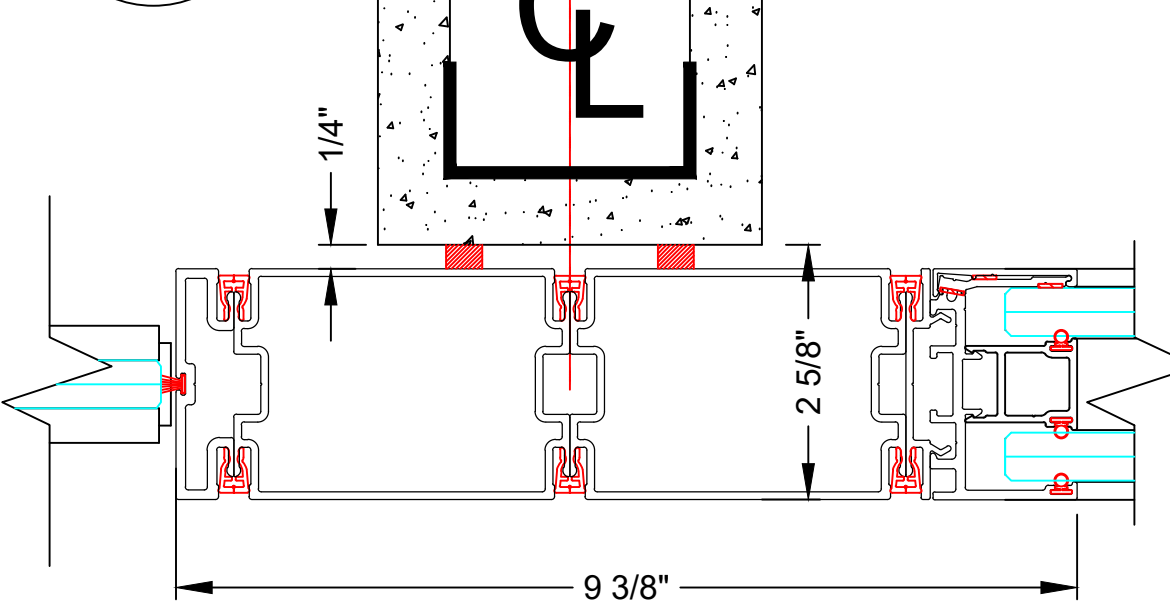
DF Pivot at 2-Way Post Glass Pivot Door

14B



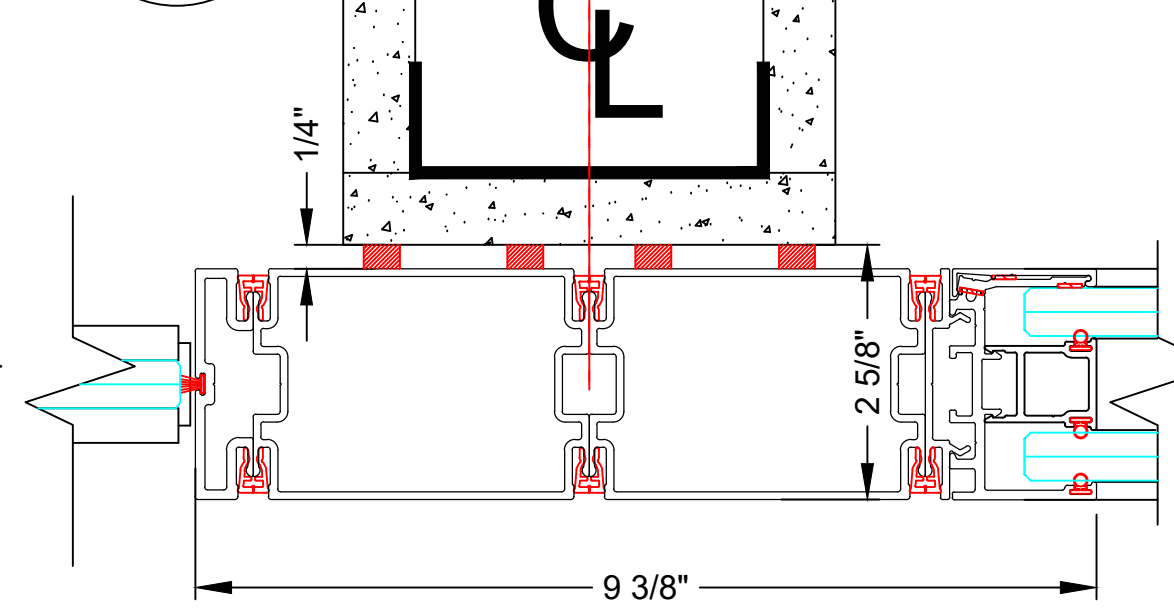
DF Pivot at Butt Glazed Corner Glass Pivot Door

15



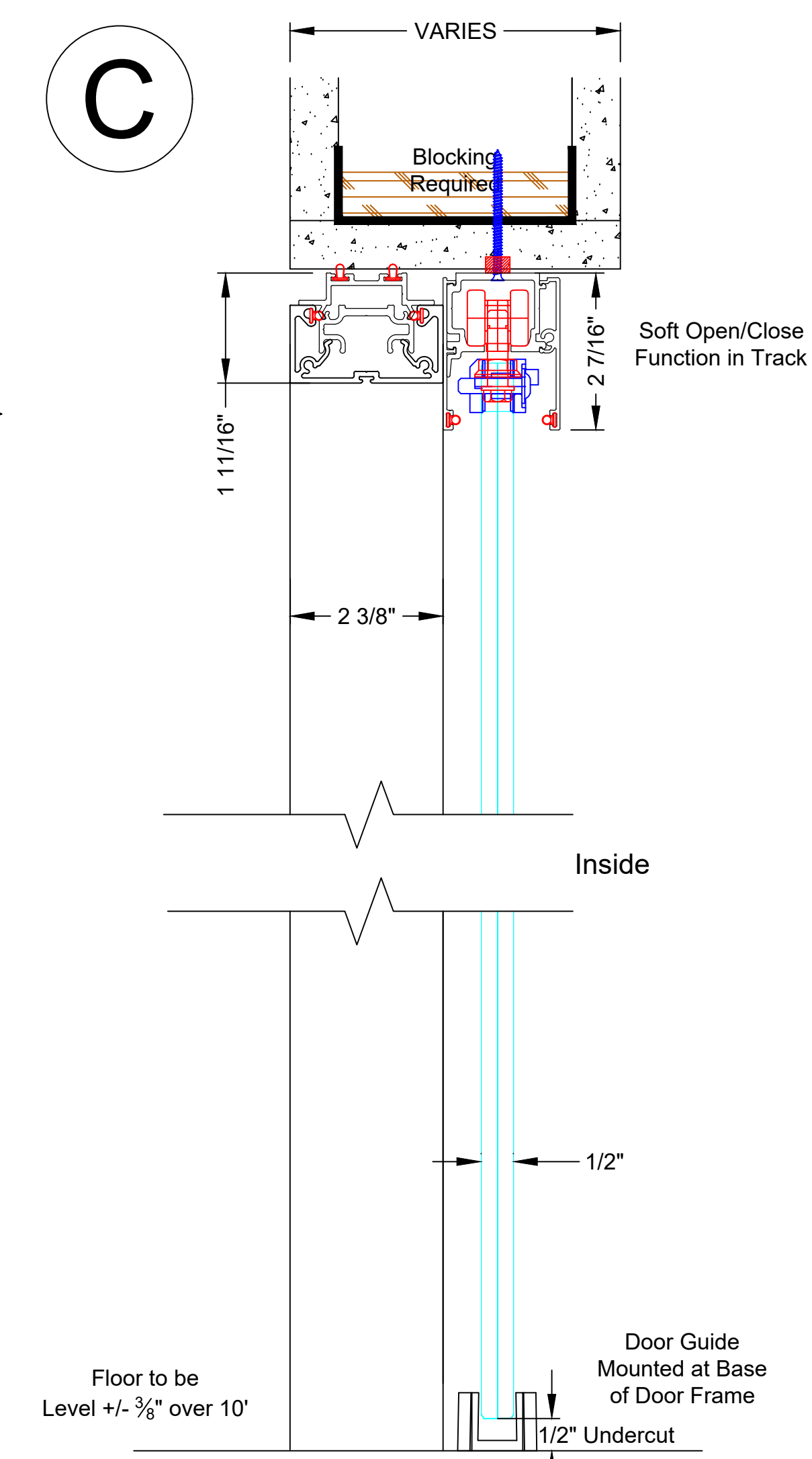
DF Pivot at 4" Bypass Glass Pivot Door

16



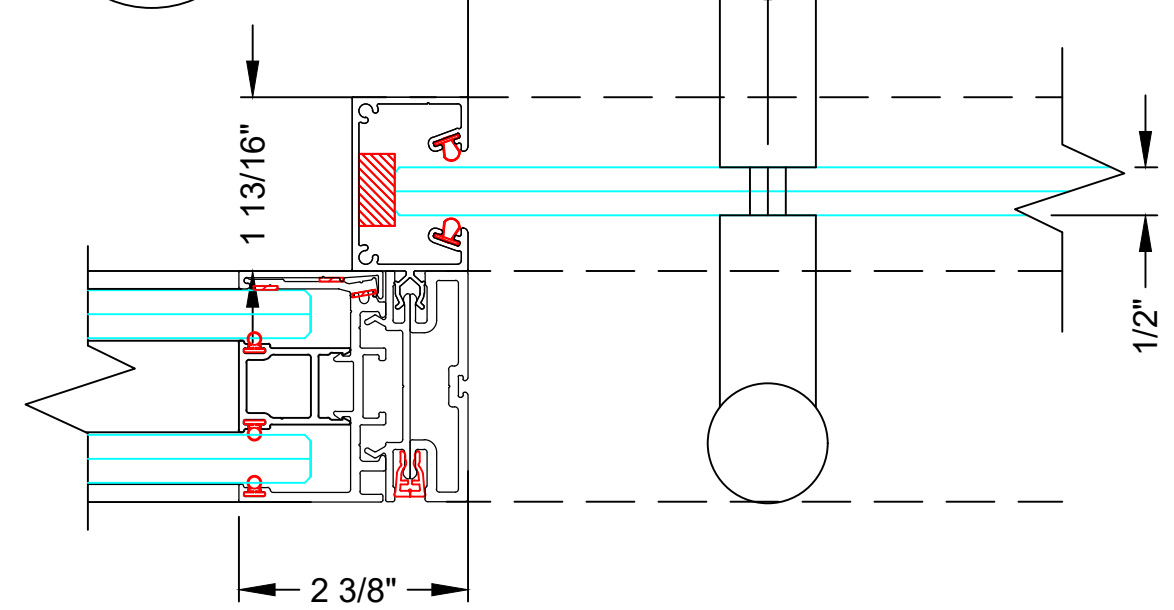
DF Pivot at 5 1/8" Bypass Glass Pivot Door

C



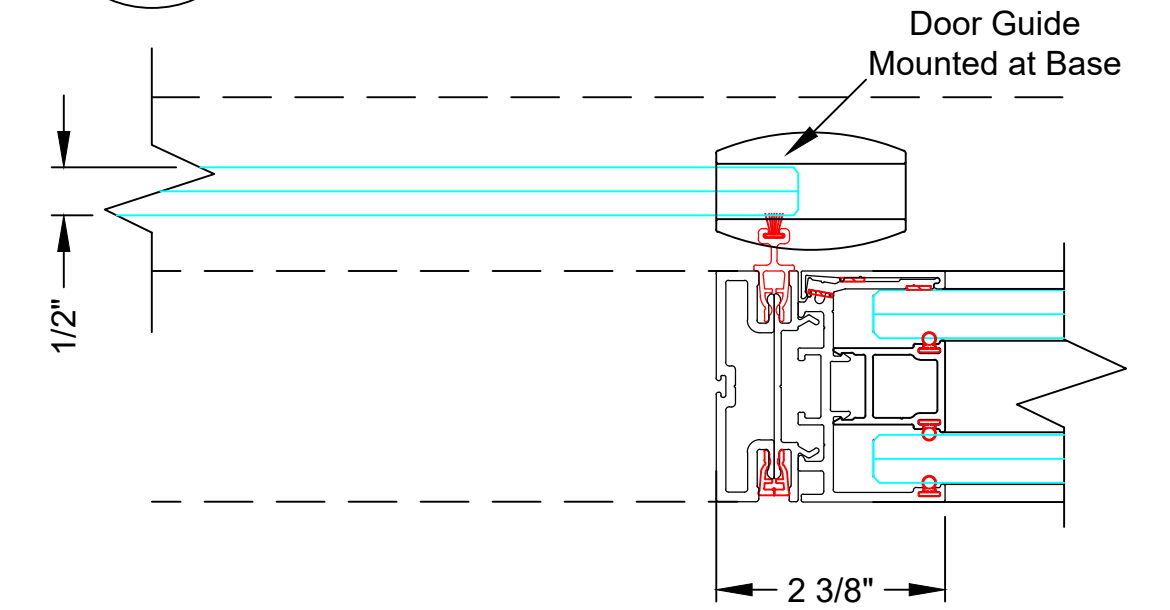
Glass Sliding Door Vertical Section

17



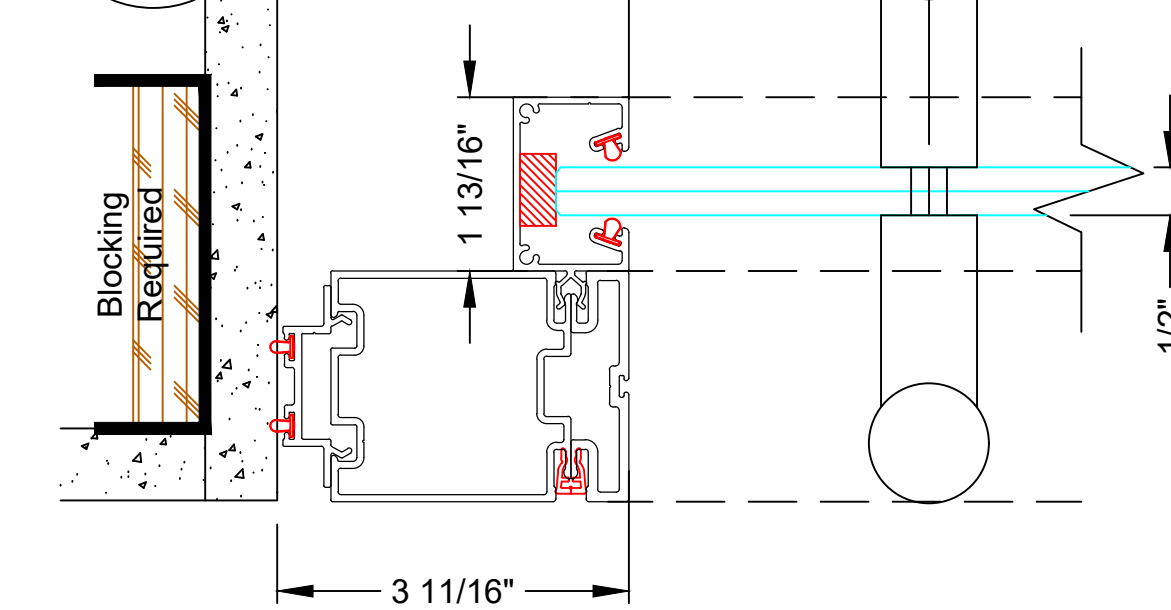
Panel to DF Receiver Glass Sliding Door

18



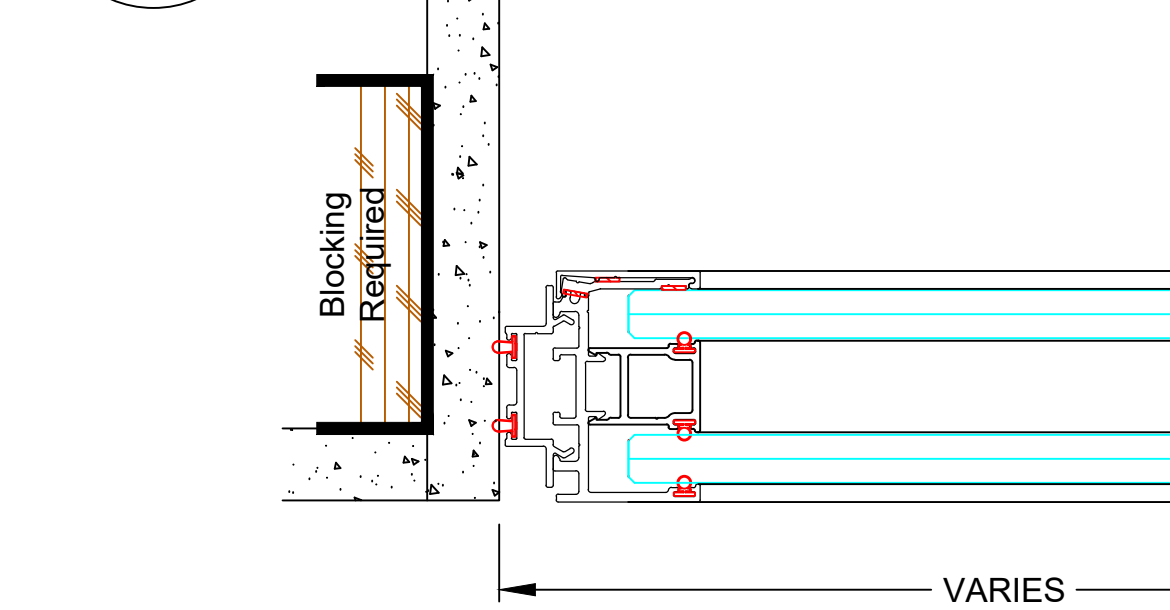
Panel to DF Seal Glass Sliding Door

19A



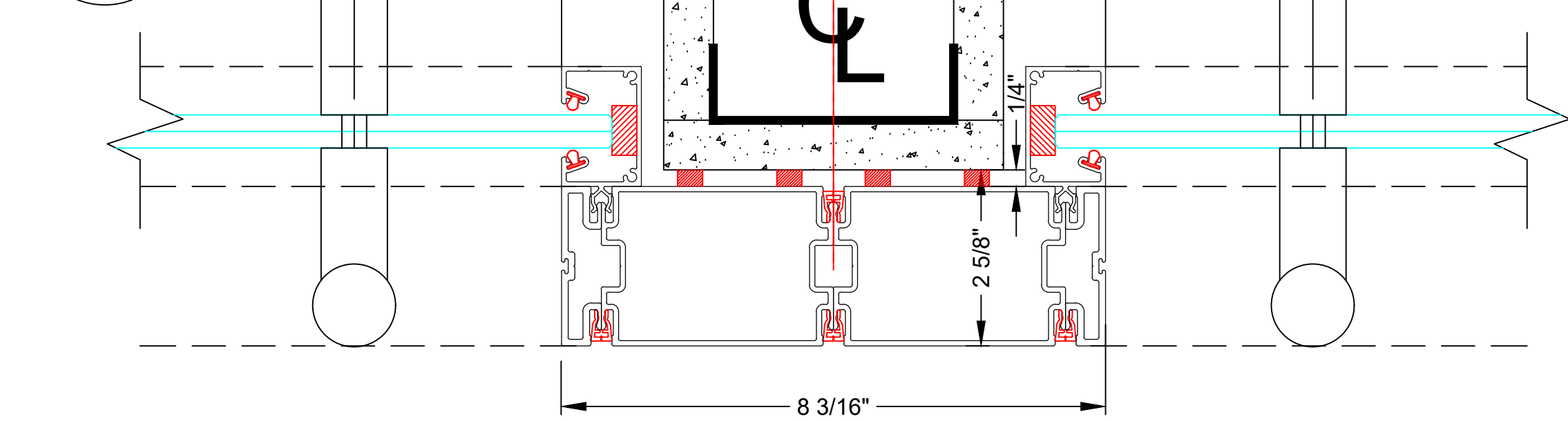
Receiver at Drywall Glass Sliding Door

19B



Receiver at Drywall with Sidelight Glass Sliding Door

20



Receiver at 5 1/8" Bypass Glass Sliding Door

8	
7	
6	
5	
4	
3	
2	
1	

NO.	DATE	ISSUE/REVISION
-----	------	----------------

CURRENT REVISION: 0