



Single-Glazed Aluminum-Framed Glass Hinge Doors

STC RANGE

31-39 dependent on glass

HORIZONTAL RAILS

1", 3" & 5" rails available

VERTICAL STILES

1", 3" & 5" stiles available

BOTTOM RAILS

10" rail available as required

GLASS THICKNESS

1/4", 3/8," or 1/2"

SOUNDPROOFING

Standard acoustic seals and gaskets included

CLOSERS

Hold open or non-hold open closers available

HARDWARE

Ladder pulls, cylindrical or mortise lever sets, both locking & non-locking | Can accept integrated hardware box for level set & electrified hardware per specs

STANDARD FINISHES

Custom finishes available

Anodized: black, bronze, clear, champagne | **Painted:** white, black, bronze, champagne

Polished: clear

LEAD TIME

4-6 weeks

PROCESS

Engineered to order | Direct turn-key for seamless delivery and install

MANUFACTURED IN

Strongsville, OH

[MORE DOORS](#)

STANDARD HARDWARE.

Framed Glass Hinge Doors

CUSTOM HARDWARE SOLUTIONS

INFINIUM has a wide array of beautiful door options that work with any of our wall systems. In addition to our standard offerings, we work with all major hardware manufacturers to provide you with an unlimited selection to fit your project needs. No matter what your requirements may be, our in-house team of engineers and project managers will work together to provide a custom hardware solution that's right for you.

STANDARD HARDWARE

INFINIUM PROPRIETARY HINGE

- + 4-1/2" x 4-1/2" full mortise five knuckle ball bearing hinge
- + Two ball bearings
- + For use on medium weight doors or doors requiring medium frequency service
- + Complies with NFPA80 requirements for use on fire-rated door assemblies



INFINIUM PROPRIETARY CLOSER

- + Concealed in door track arm cloer
- + Designed to mount in a 1-3/4" thick interior door
- + Single lever arm and roller assembly provides complete concealment
- + Hold-open or non-hold open function available



Standard hardware information and details in this document are subject to change based on the project scope of work.

STANDARD HARDWARE.

Framed Glass Hinge Doors

LEVER SETS

CYLINDRICAL PASSAGE LEVER SET

- + Field reversible – can be installed in a variety of locations
- + No locking function, free turning on both sides



CYLINDRICAL LOCK LEVER SET

- + Entrance/office lock
- + Push-button locking – push-button locks outside lever until unlocked with key or by turning inside lever
- + Inside lever is always free for immediate egress



INFINIUM PROPRIETARY HARDWARE BOX

- + To house cylindrical lever sets
- + Required when utilizing minimalistic, thin-style aluminum framed doors



MORTISE LEVER SETS

- + Field reversible – can be installed in a variety of locations
- + No locking function, free turning on both sides



MORTISE LOCK LEVER SETS

- + Entrance/office lock
- + Push-button locking – push-button locks outside lever until unlocked with key or by turning inside lever
- + Inside lever is always free for immediate egress



Standard hardware information and details in this document are subject to change based on the project scope of work.

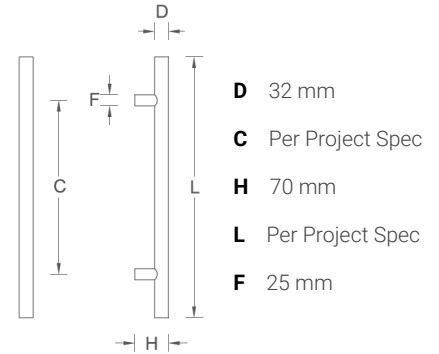
STANDARD HARDWARE.

Framed Glass Hinge Doors

LADDER PULLS

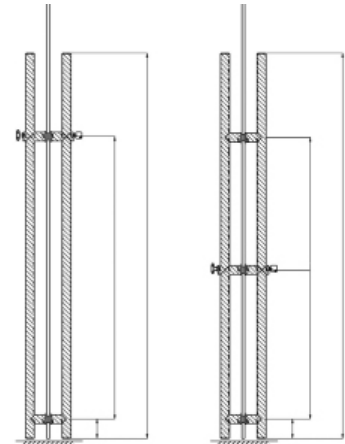
DPA 4000 NON-LOCKING LADDER PULL

- + With advance notification, the capability to swap non-locking with locking pulls can be achieved Day 2 utilizing non-locking pulls that accommodate the same size insert requirements for pull mounts on glass.



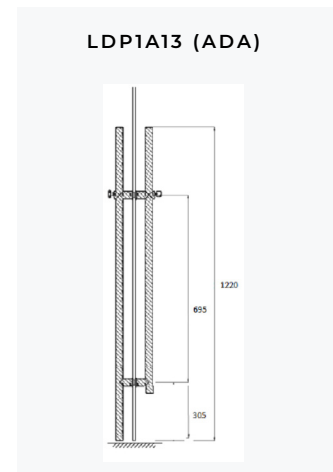
LDP LOCKING LADDER PULL

- + Heavy duty stainless steel construction
- + Key-operated from exterior; turnknob from interior
- + Accommodates door thickness 8-19mm range
- + 16mm steel deadbolt with 32mm throw
- + Floor locking standard, head and dual locking available
- + Bolt location: 64mm from face of door to centerline of bolt
- + Available in SFIC & LFIC, side-bitted, or standard SC cylinder options
- + With advance notification, the capability to swap non-locking with locking pulls can be achieved Day 2 utilizing non-locking pulls that accommodate the same size insert requirements for pull mounts on glass.



ITEM	B	A
LDP1 — 1200	925mm	1200mm
LDP1 — 1500	1250mm	1500mm

ITEM	C	B	A
LDP1 — 1800	925mm	725mm	1800mm
LDP1 — 2000	925mm	925mm	2000mm
LDP1 — 2400	1175mm	1075mm	2400mm



Standard hardware information and details in this document are subject to change based on the project scope of work.

STANDARD HARDWARE.

Framed Glass Hinge Doors

DROP SEALS

FRAMED GLASS DROP SEALS

- + Sound absorption level up to 48 dB with optimal sealing
- + No scraping/tearing on the floor, thanks to parallel drop
- + Automatic compensation for uneven flooring
- + High-quality silicone lip, lateral protrusion adjustable
- + Easy drop height adjustment



ELECTRIC | HIGH SECURITY HARDWARE

ELECTRIC STRIKE

- + Equipped with a mortise or cylindrical lockset with up to 3/4" latchbolt projection without deadbolt.
- + Electrical actuation unlocks the keeper, releasing the latchbolt so the door may be opened without operating the latch itself.



SURFACE-MOUNTED MAGLOCKS

- + 500 lbs. holding force
- + 750 lbs. holding force



ROOM SCHEDULERS | CARD READERS

- + Upon specification, INFINIUM will help coordinate the installation of power for room schedulers and/or card readers provided by others, and integrate these features into our wall systems.

Standard hardware information and details in this document are subject to change based on the project scope of work.