

# Double-Glazed Aluminum-Framed Glass Sliding Doors

## STC RANGE

39 dependent on glass

## HORIZONTAL RAILS

1", 3" & 5" rails available

## VERTICAL STILES

1", 3" & 5" stiles available

## BOTTOM RAILS

10" rail available as required

## GLASS THICKNESS

1/4"

## SOUNDPROOFING

Standard acoustic seals and gaskets included

## CLOSERS

Standard soft close/open

## HARDWARE

Ladder pulls, both locking & non-locking

## STANDARD FINISHES

*Custom finishes available*

**Anodized:** black, bronze, clear, champagne | **Painted:** white, black, bronze, champagne

**Polished:** clear

## LEAD TIME

4-6 weeks

## PROCESS

Engineered to order | Direct turn-key for seamless delivery and install

## MANUFACTURED IN

Strongsville, OH

[MORE DOORS](#)

**STANDARD HARDWARE.**

# Framed Glass Sliding Doors

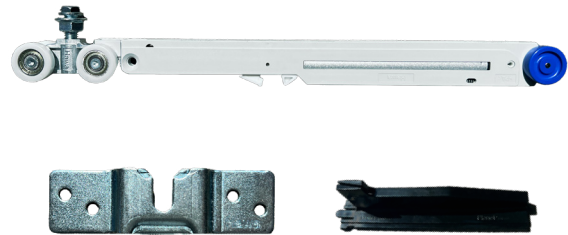
**CUSTOM HARDWARE SOLUTIONS**

INFINIUM has a wide array of beautiful door options that work with any of our wall systems. In addition to our standard offerings, we work with all major hardware manufacturers to provide you with an unlimited selection to fit your project needs. No matter what your requirements may be, our in-house team of engineers and project managers will work together to provide a custom hardware solution that's right for you.

**STANDARD HARDWARE**

**INFINIUM PROPRIETARY SLIDING HARDWARE**

- + Standard soft-open, soft-close
- + Fitting set for single 132 lb or 220 lb top hung sliding glass door with upper track
- + Wall mounting and ceiling installation



**DROP SEALS**

**FRAMED GLASS DROP SEALS**

- + Sound absorption level up to 48 dB with optimal sealing
- + No scraping/tearing on the floor, thanks to parallel drop
- + Automatic compensation for uneven flooring
- + High-quality silicone lip, lateral protrusion adjustable
- + Easy drop height adjustment



*Standard hardware information and details in this document are subject to change based on the project scope of work.*

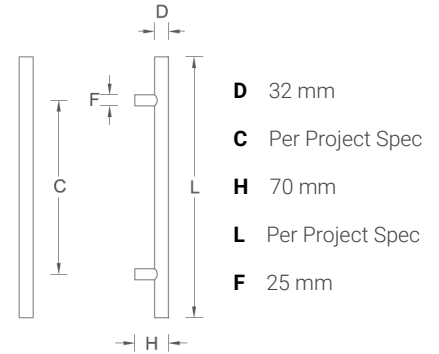
**STANDARD HARDWARE.**

# Framed Glass Sliding Doors

**LADDER PULLS**

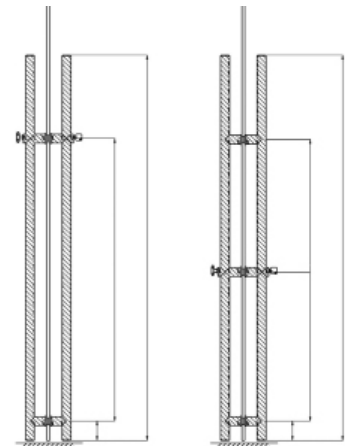
**DPA 4000 NON-LOCKING LADDER PULL**

- + With advance notification, the capability to swap non-locking with locking pulls can be achieved Day 2 utilizing non-locking pulls that accommodate the same size insert requirements for pull mounts on glass.



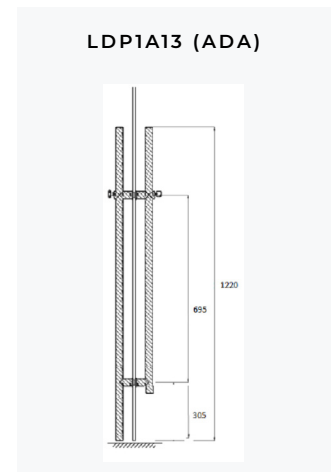
**LDP LOCKING LADDER PULL**

- + Heavy duty stainless steel construction
- + Key-operated from exterior; turnknob from interior
- + Accommodates door thickness 8-19mm range
- + 16mm steel deadbolt with 32mm throw
- + Floor locking standard, head and dual locking available
- + Bolt location: 64mm from face of door to centerline of bolt
- + Available in SFIC & LFIC, side-bitted, or standard SC cylinder options
- + With advance notification, the capability to swap non-locking with locking pulls can be achieved Day 2 utilizing non-locking pulls that accommodate the same size insert requirements for pull mounts on glass.



ITEM	B	A
LDP1 — 1200	925mm	1200mm
LDP1 — 1500	1250mm	1500mm

ITEM	C	B	A
LDP1 — 1800	925mm	725mm	1800mm
LDP1 — 2000	925mm	925mm	2000mm
LDP1 — 2400	1175mm	1075mm	2400mm



Standard hardware information and details in this document are subject to change based on the project scope of work.