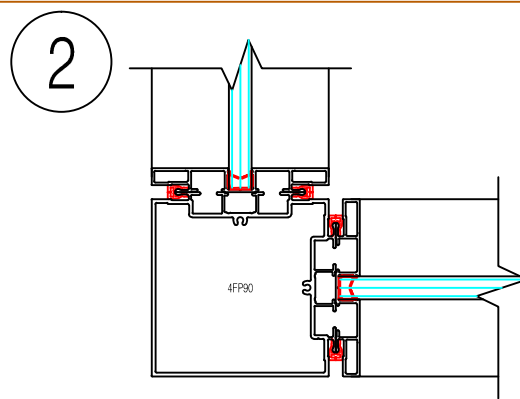
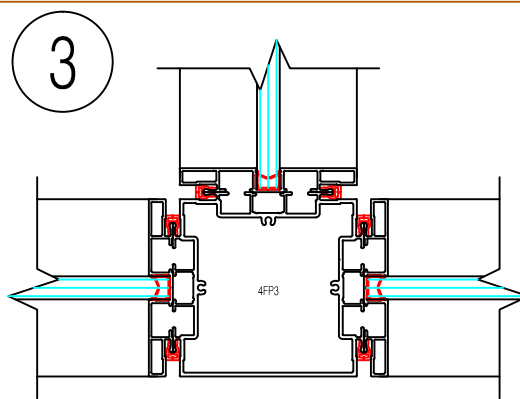


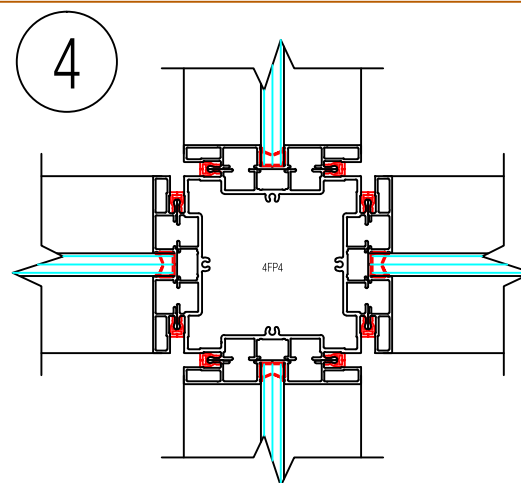
1
Panel Connection



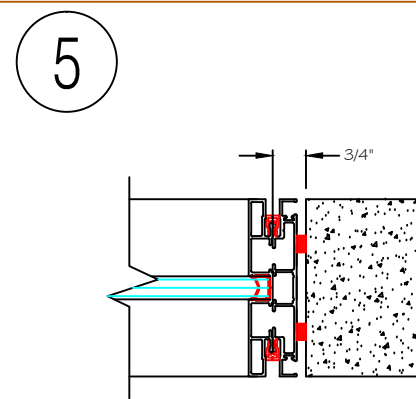
2
2-Way Post



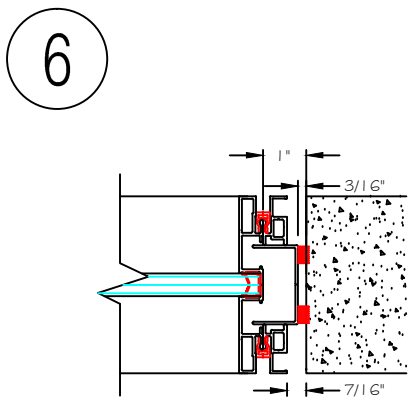
3
3-Way Post



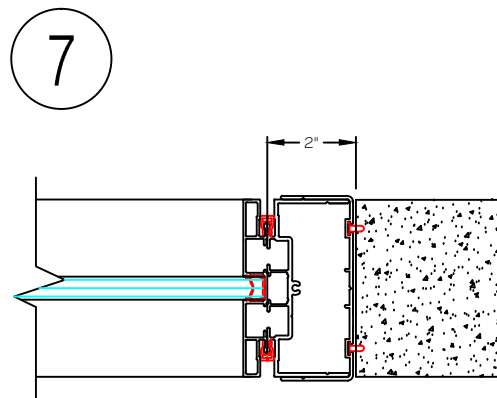
4
4-Way Post



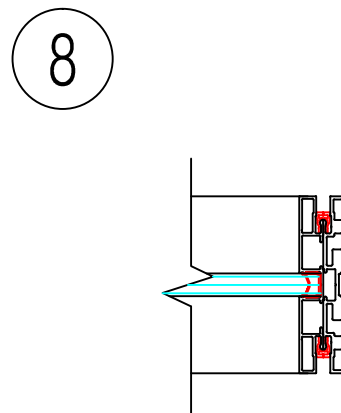
5
Flush Wall Start



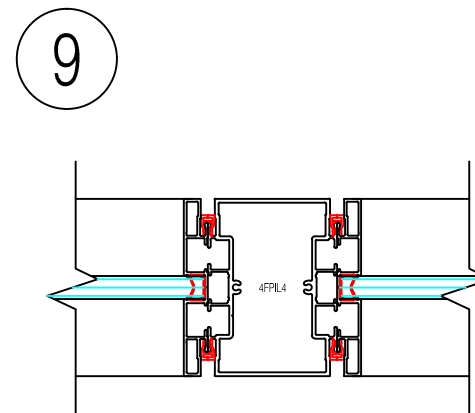
6
Recessed Wall Start



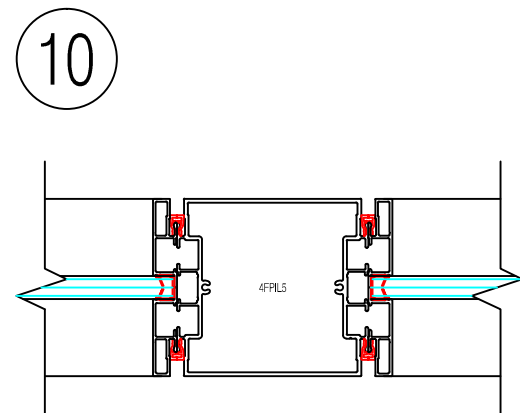
7
2" Mini-End



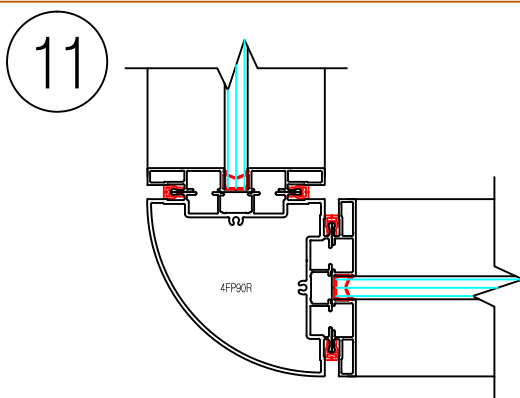
8
Finished End



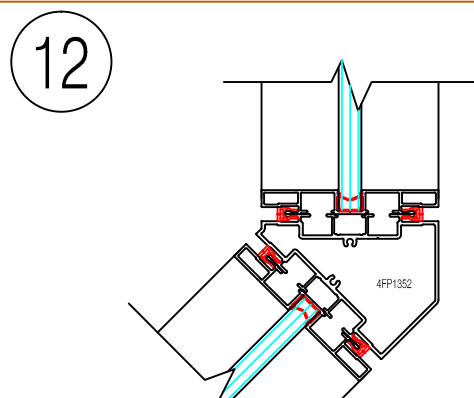
9
3" In-Line Post



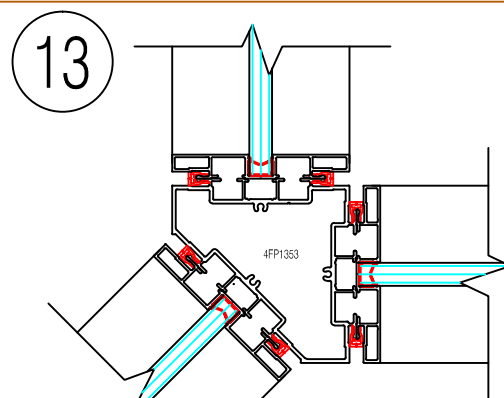
10
4" In-Line Post



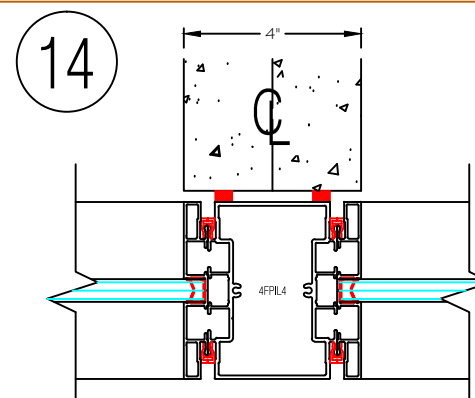
11
Radius 2-Way Post



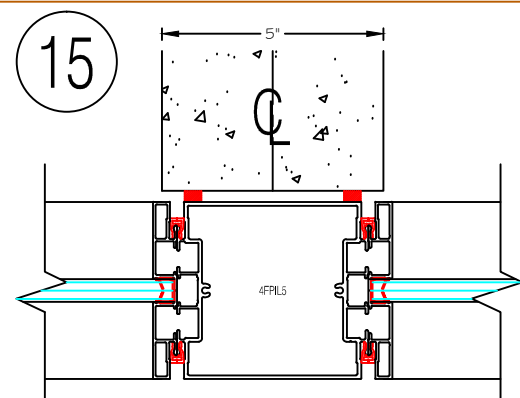
12
135 Degree Post



13
135 Degree 3-Way Post



14
3" In-Line Post at
4" Drywall Bypass



15
4" In-Line Post at
5" Drywall Bypass

Please note: these shop drawings supercede any other reference to dimensions and represent the final dimensions to be used for production. Signing off indicates that these dimensions accurately represent (or will through hold to dimensions) actual field conditions. Whomever signs off on the end users behalf assumes full responsibility for their accuracy.



6749 Eastland Road, Suite B
Middletown, OH 44130
P# 440-239-9000 F# 440-239-9002

This Document is the property and copyright of Infilum Architectural Wall Systems, Inc. and shall not be reproduced without written consent of Infilum Architectural Wall Systems, Inc. This drawing is to be used for evaluation, bidding, or furniture installation only and should not be used for building construction.

8		
7		
6		
5		
4		
3		
2		
1		
NO.	DATE	ISSUE/REVISION

CURRENT REVISION: 0

Refine 1X Horizontal Sections
Details 1 thru 15

DRAWING TITLE: Refine 1X Horizontal Sections

DATE:

SCALE:

AREA:

PROJECT NO:

PROJECT LEADER:

CAD DRAFTER:

CHECKED BY:

CAD FILE NAME:

DRAWING NO:

1

SHEET NO:

1 of 3