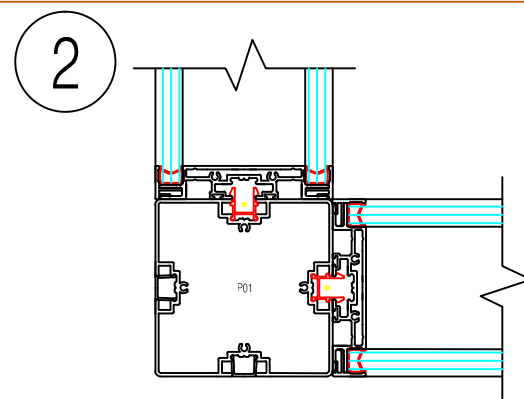
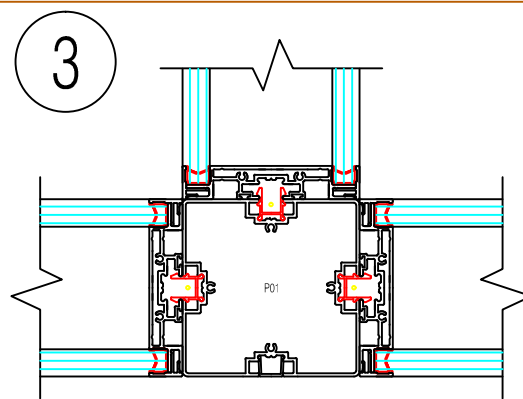


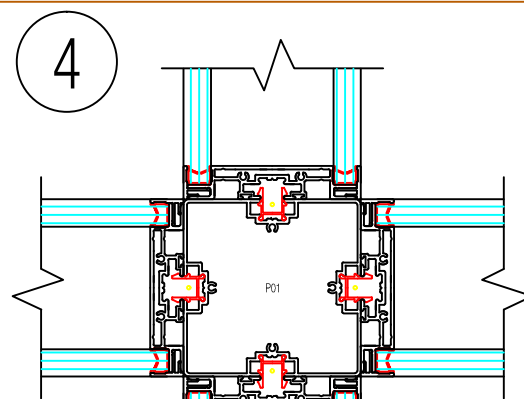
1
Panel Connection



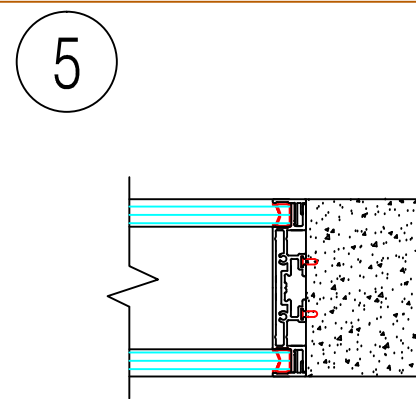
2
2-Way Post



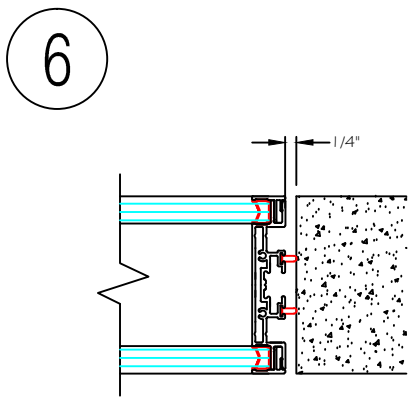
3
3-Way Post



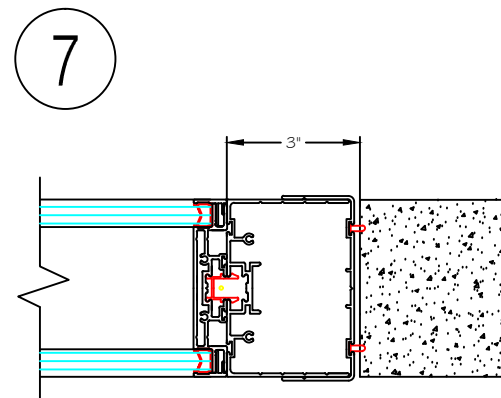
4
4-Way Post



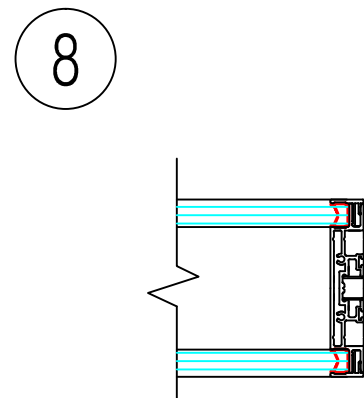
5
Flush Wall Start - Min



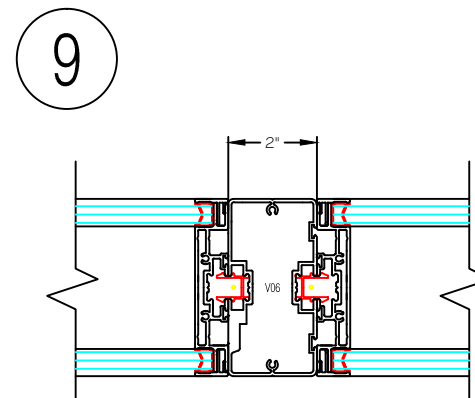
6
Flush Wall Start - Max



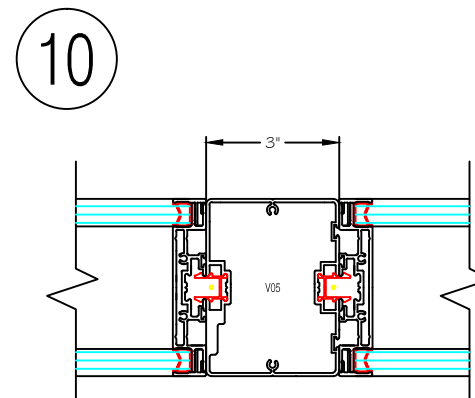
7
3" Mini-End



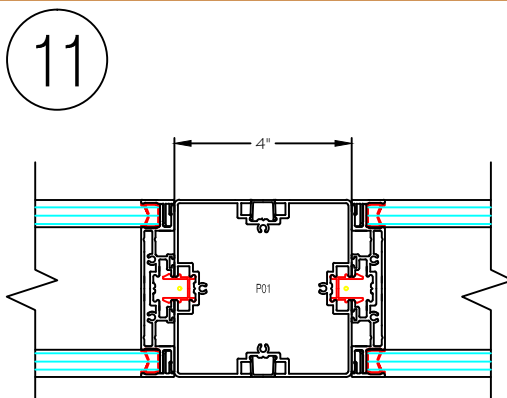
8
Finished End



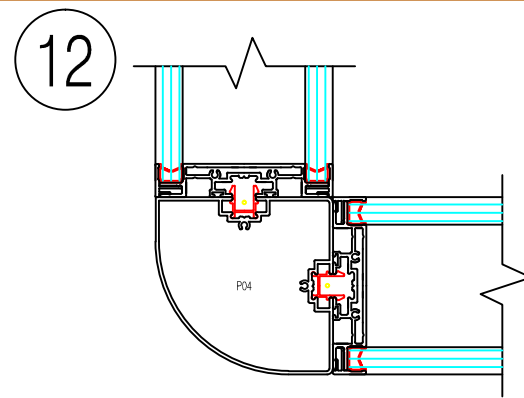
9
2" In-Line Post



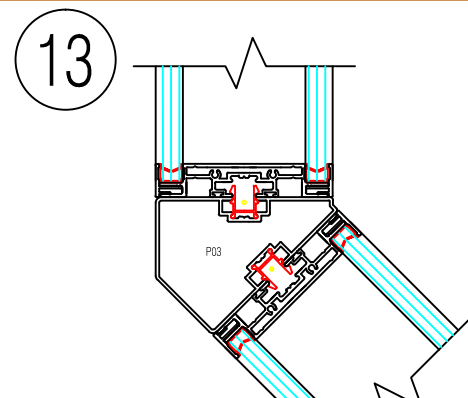
10
3" In-Line Post



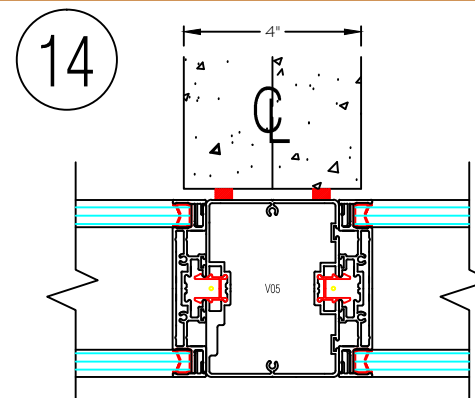
11
4" In-Line Post



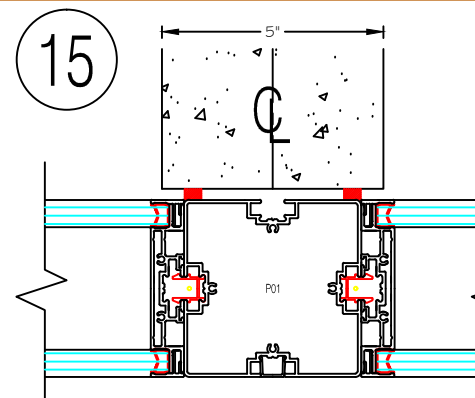
12
Radius 2-Way Post



13
135 Degree Post



14
3" In-Line Post at
4" Drywall Bypass



15
4" In-Line Post at
5" Drywall Bypass

Please note: these shop drawings supercede any other reference to dimensions and represent the final dimensions to be used for production. Signing off indicates that these dimensions accurately represent (or will through hold to dimensions) actual field conditions. Whomever signs off on the end users behalf assumes full responsibility for their accuracy.

This Document is the property and copyright of Infirmum Architectural Wall Systems, Inc. and shall not be reproduced without written consent of Infirmum Architectural Wall Systems, Inc. This drawing is to be used for evaluation, bidding, or furniture installation only and should not be used for building construction.

8		
7		
6		
5		
4		
3		
2		
1		
NO.	DATE	ISSUE/REVISION

CURRENT REVISION: 0

Access Horizontal Sections
Details 1 thru 15

DRAWING TITLE:
Access
Horizontal Sections

DATE:

SCALE:

AREA:

PROJECT NO:

PROJECT LEADER:

CAD DRAFTER:

CHECKED BY:

CAD FILE NAME:

DRAWING NO:
1

SHEET NO:
1 of 3